

Concealed 5&7FT Pedestal User Installation Guide

Xiamen Topstar Co., Ltd

Add: No. 696 Meixi Avenue Tong'an District, Xiamen, Fujian, PRC 361100
Tel: 86-592-7263768 Email: contact@topstar.com.cn Web: www.xiamentopstar.com

IMPORTANT SAFETY INSTRUCTIONS - PLEASE DO NOT DISCARD THESE INSTRUCTIONS

READ THE INSTRUCTIONS COMPLETELY. FAILURE TO FOLLOW INSTALLATION INSTRUCTIONS MAY RESULT IN PROPERTY DAMAGE, INJURY, OR DEATH. THE MANUFACTURER ASSUMES NO LIABILITY FOR CLAIMS RESULTING FROM THIS.

DANGER:

TO AVOID FIRE, SHOCK, OR DEATH: TURN OFF POWER AT CIRCUIT BREAKER OR FUSE AND TEST THAT POWER IS OFF BEFORE WIRING

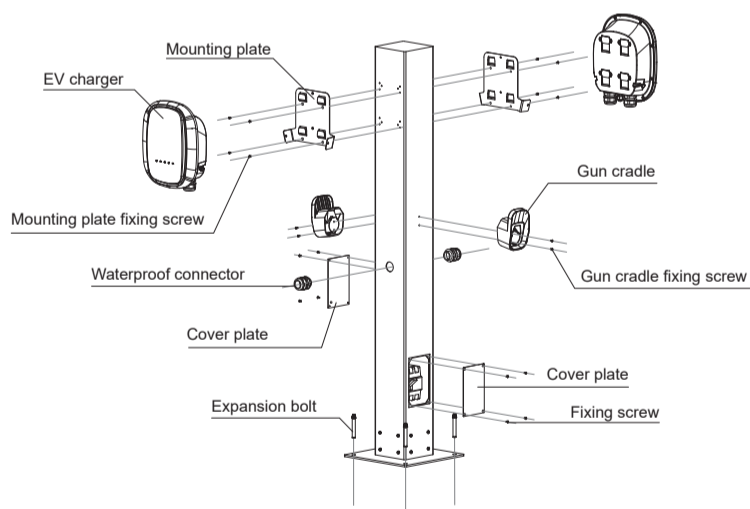
WARNING:

1. ELECTRIC SHOCK: NO OPERATOR SERVICEABLE PARTS INSIDE. REFER SERVICING TO QUALIFIED PERSONNEL
2. VERIFY WITH LOCAL AUTHORITIES THAT THE LOCATION WHERE THE PEDESTAL IS TO BE INSTALLED IS FREE FROM UNDERGROUND PIPLINES OR ELECTRICAL EQUIPMENT
3. DO NOT USE THIS PRODUCT IF INPUT POWER WIRES IS FRAYED, BROKEN INSULATION, OR ANY OTHER SIGNS OF DAMAGE

CAUTION:

1. THE ELECTRICAL VEHICLE SUPPLY EQUIPMENT (EVSE) PEDESTAL MUST BE WIRED PER THE NATIONAL ELECTRICAL CODE (NEC) AND LOCAL CODES
2. THE EVSE CHARGING STATION AND ELECTRICAL WIRING SHOULD BE INSTALLED BY AN ELECTRICIAN IN ACCORDANCE WITH THE LOCAL ELECTRICAL CODES AND REGULATIONS
3. GROUNDING: TO ENSURE THE SAFE OPERATION OF THE PEDESTAL, IT MUST BE CONNECTED TO A GROUNDING CIRCUIT COMPLIANT WITH LOCAL BUILDING CODES
4. HANDLE PARTS WITH CARE. ALWAYS USE PROPER PERSONAL PROTECTIVE EQUIPMENT (PPE) DURING THE INSTALLATION
5. RUN DEDICATED BRANCH CIRCUITS (ONE BREAKER PER EVSE CHARGING STATION), AS PER NEC 625 AND LOCAL BUILDING CODES
6. WHEN MOUNTING THE PEDESTAL IN PARKING SPACES OR PARKING GARAGES, APPROPRIATE ANTICOLLISION PROTECTION MUST BE INSTALLED. REFERENCE LOCAL BUILDING CODES
7. TO ENSURE THAT THE EVSE CHARGING STATION AND PEDESTAL ARE INSTALLED PER AMERICANS WITH DISABILITIES ACT (ADA) STANDARDS FOR ACCESSIBLE DESIGN GUIDELINES, REFER TO CODE OF FEDERAL REGULATIONS DOCUMENT 28 CFR PART 36, SECTIONS 4.2 AND 4.4
8. IF YOU HAVE QUESTIONS ABOUT THE INSTALLATION, CONTACT OUR SUPPORT. IF YOU ARE UNSURE ABOUT A PROCEDURE DO NOT ATTEMPT TO PERFORM IT
9. THIS INSTALLATION INSTRUCTIONS SOLELY FOR THE PEDESTAL. DEPICTIONS OF THE ELECTRIC VEHICLE CHARGER ARE FOR REFERENCE ONLY. REFER TO THE ELECTRIC VEHICLE CHARGER INSTALLATION

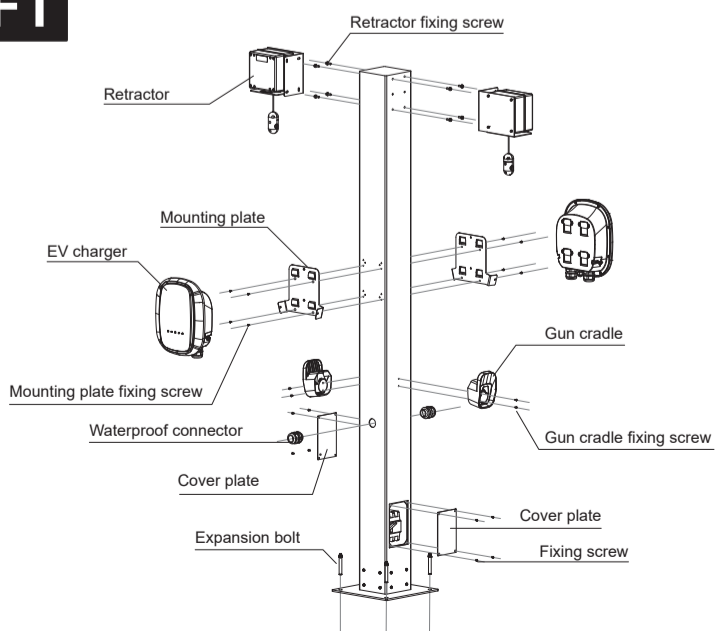
5FT



Technical Data and Specifications

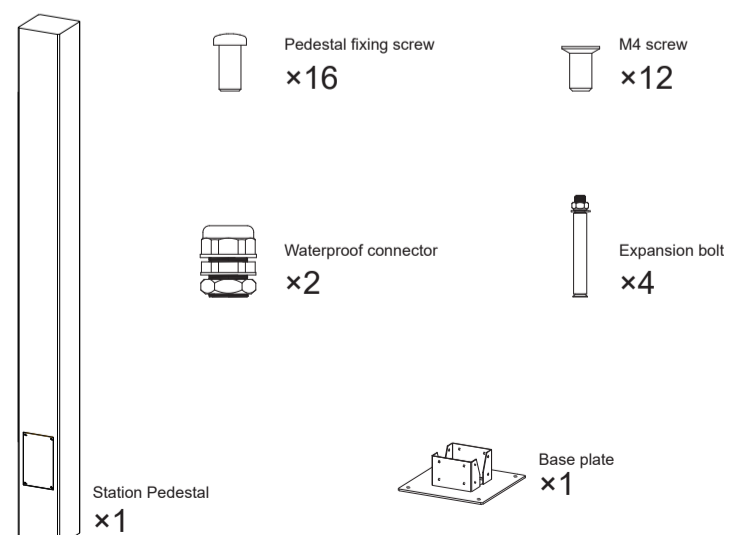
Model No.	5FT:EVT001	7FT:EVT002
Dimension - inch	Pedestal: 5FT: 6×6×60	Pedestal: 7FT: 6×6×84
	Base plate: 12×12×0.24	
Weight	5FT: 41LBs	7FT: 51LBs
Charging Stations	Mount up to 2 charging stations	
Compliance	Charging station and holster mounts are compliance with Americans with Disabilities Act Standards (ADA) recommended charge connect height of less than 48" and greater than 24"	
Installation	Ground-based; anchor installation into concrete	

7FT



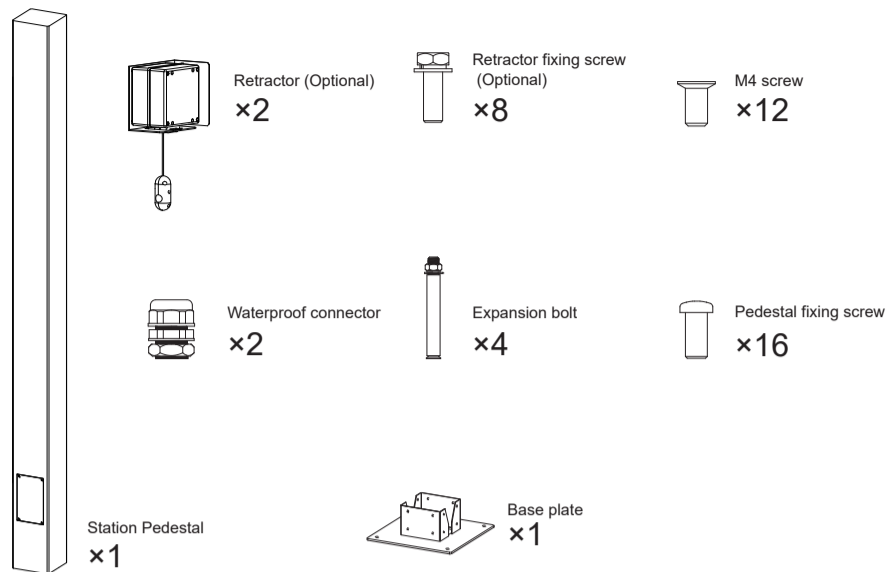
5FT

Station Pedestal Accessories List



7FT

Station Pedestal accessories list



Step 1

Pedestal Installation

First, route the wire and drill holes on the ground where the column is installed(Reference Figure 1). Then secure the base to the ground with four expansion bolts(Reference Figure 2). Ensure that the input cable is inserted through the hole in the middle of the base.

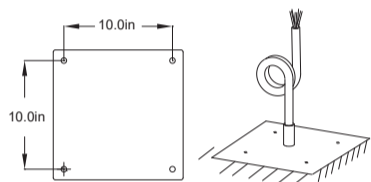


Figure 1

Drill holes according to the base hole distance, diameter $\phi 0.5in$, depth 3.1in

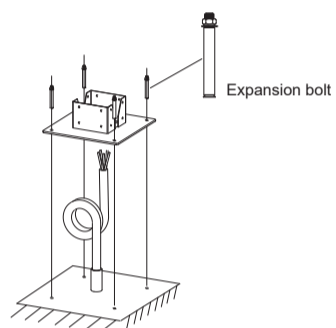


Figure 2

Four expansion bolts are used to secure the base.

Step 5

Install the input waterproof connector on the column, as shown in Figure 6-7.

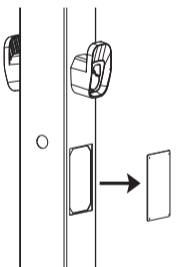


Figure 6

Remove the four screws of the upper wiring door, open the wiring door.

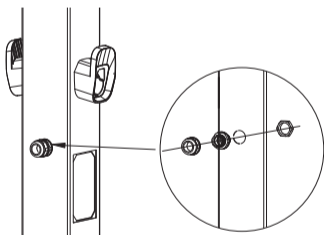


Figure 7

After disassembling the waterproof connector, lock it according to the figure.

Step 6

(This step applies only to the 7-foot pedestal)

Install the retractor to the column, as shown in Figure 8-9. Please refer to the installation manual of the receiver for specific disassembly and assembly.

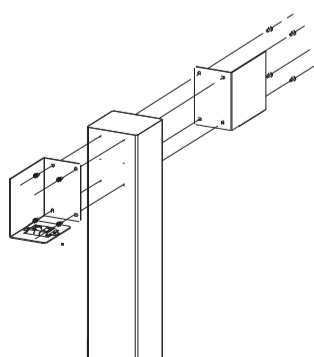


Figure 8

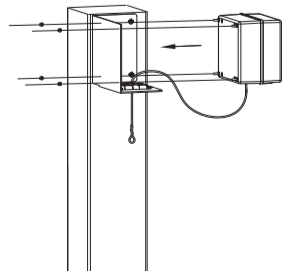


Figure 9

Step 2

Install the post on the base using 16 screws. Reference Figure 3.

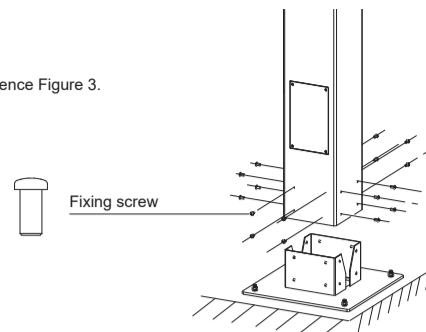


Figure 3

Step 3

Fix the mounting plate and EV Charger to the pedestal, reference Figure 4.

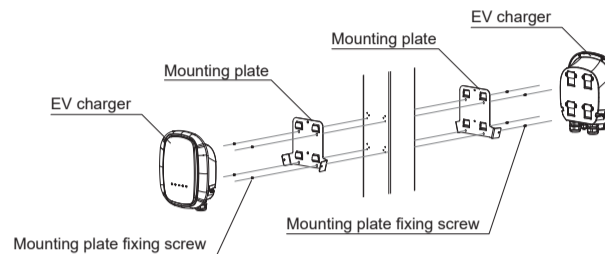


Figure 4

Step 4

Install the gun cradle to the pedestal, reference Figure 5.

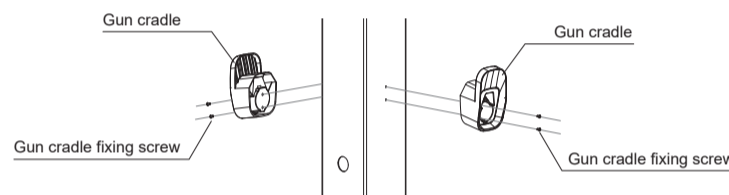
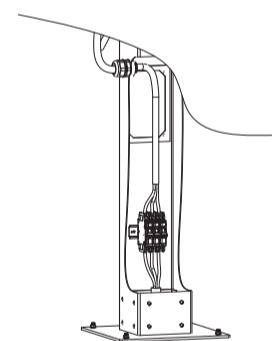


Figure 5

Electrical Connection Diagram of the Pedestal

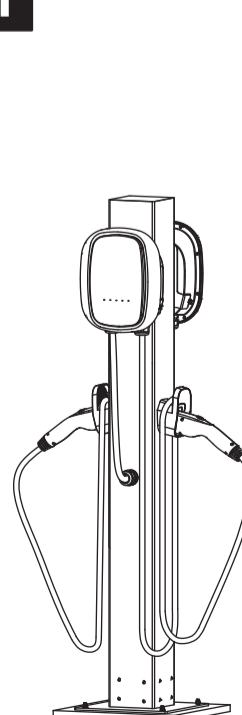
Please arrange a professional electrician to install the electrical connection. For details, see charging pile electrical installation instructions.



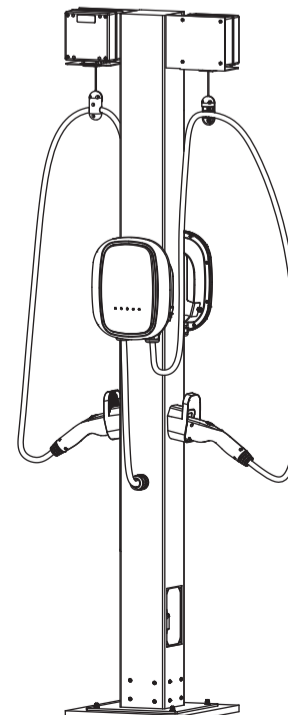
The Effect Picture after Installation

5FT

7FT



5FT Pedestal



7FT Pedestal