

5&7 FT Pedestal G2 Installation Guide

Xiamen Topstar Co., Ltd

Add: No. 696 Meixi Avenue Tong'an District, Xiamen, Fujian, PRC 361100
Tel: 86-592-7263768 Email: contact@topstar.com.cn Web: www.xiamentopstar.com

IMPORTANT SAFETY INSTRUCTIONS - PLEASE DO NOT DISCARD THESE INSTRUCTIONS

READ THE INSTRUCTIONS COMPLETELY. FAILURE TO FOLLOW INSTALLATION INSTRUCTIONS MAY RESULT IN PROPERTY DAMAGE, INJURY, OR DEATH. THE MANUFACTURER ASSUMES NO LIABILITY FOR CLAIMS RESULTING FROM THIS.

DANGER:

TO AVOID FIRE, SHOCK, OR DEATH: TURN OFF POWER AT CIRCUIT BREAKER OR FUSE AND TEST THAT POWER IS OFF BEFORE WIRING

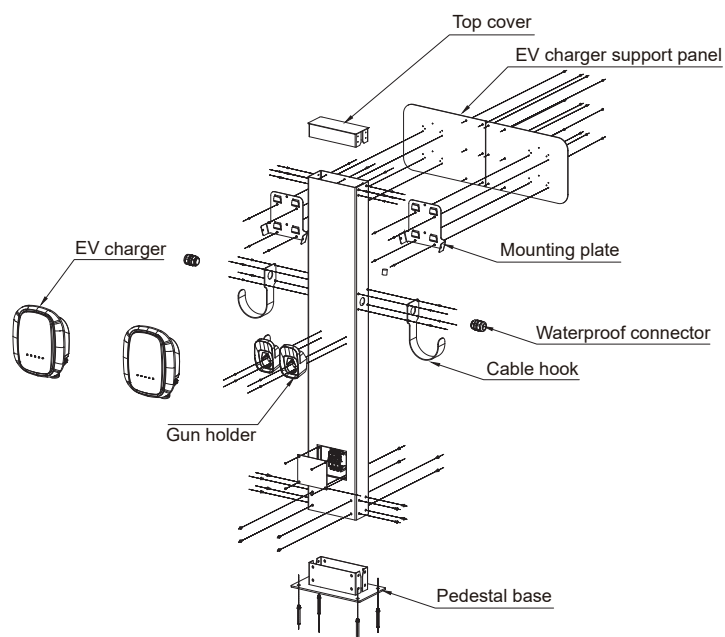
WARNING:

1. ELECTRIC SHOCK: NO OPERATOR SERVICEABLE PARTS INSIDE. REFER SERVICING TO QUALIFIED PERSONNEL
2. VERIFY WITH LOCAL AUTHORITIES THAT THE LOCATION WHERE THE PEDESTAL IS TO BE INSTALLED IS FREE FROM UNDERGROUND PIPELINES OR ELECTRICAL EQUIPMENT
3. DO NOT USE THIS PRODUCT IF INPUT POWER WIRES IS FRAYED, BROKEN INSULATION, OR ANY OTHER SIGNS OF DAMAGE

CAUTION:

1. THE ELECTRICAL VEHICLE SUPPLY EQUIPMENT (EVSE) PEDESTAL MUST BE WIRED PER THE NATIONAL ELECTRICAL CODE (NEC) AND LOCAL CODES
2. THE EVSE CHARGING STATION AND ELECTRICAL WIRING SHOULD BE INSTALLED BY AN ELECTRICIAN IN ACCORDANCE WITH THE LOCAL ELECTRICAL CODES AND REGULATIONS
3. GROUNDING: TO ENSURE THE SAFE OPERATION OF THE PEDESTAL, IT MUST BE CONNECTED TO A GROUNDING CIRCUIT COMPLIANT WITH LOCAL BUILDING CODES
4. HANDLE PARTS WITH CARE. ALWAYS USE PROPER PERSONAL PROTECTIVE EQUIPMENT (PPE) DURING THE INSTALLATION
5. RUN DEDICATED BRANCH CIRCUITS (ONE BREAKER PER EVSE CHARGING STATION), AS PER NEC 625 AND LOCAL BUILDING CODES
6. WHEN MOUNTING THE PEDESTAL IN PARKING SPACES OR PARKING GARAGES, APPROPRIATE ANTICOLLISION PROTECTION MUST BE INSTALLED. REFERENCE LOCAL BUILDING CODES
7. TO ENSURE THAT THE EVSE CHARGING STATION AND PEDESTAL ARE INSTALLED PER AMERICANS WITH DISABILITIES ACT (ADA) STANDARDS FOR ACCESSIBLE DESIGN GUIDELINES, REFER TO CODE OF FEDERAL REGULATIONS DOCUMENT 28 CFR PART 36, SECTIONS 4.2 AND 4.4
8. IF YOU HAVE QUESTIONS ABOUT THE INSTALLATION, CONTACT OUR SUPPORT. IF YOU ARE UNSURE ABOUT A PROCEDURE DO NOT ATTEMPT TO PERFORM IT
9. THIS INSTALLATION INSTRUCTIONS SOLELY FOR THE PEDESTAL. DEPICTIONS OF THE ELECTRIC VEHICLE CHARGER ARE FOR REFERENCE ONLY. REFER TO THE ELECTRIC VEHICLE CHARGER INSTALLATION

5FT

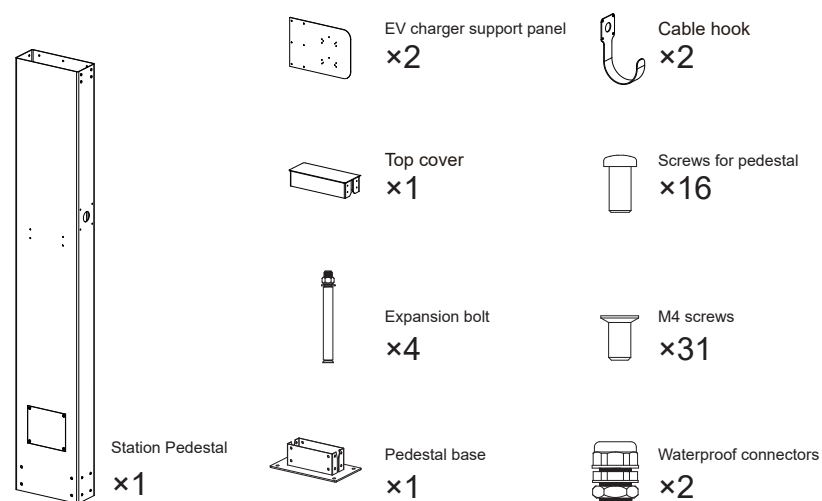
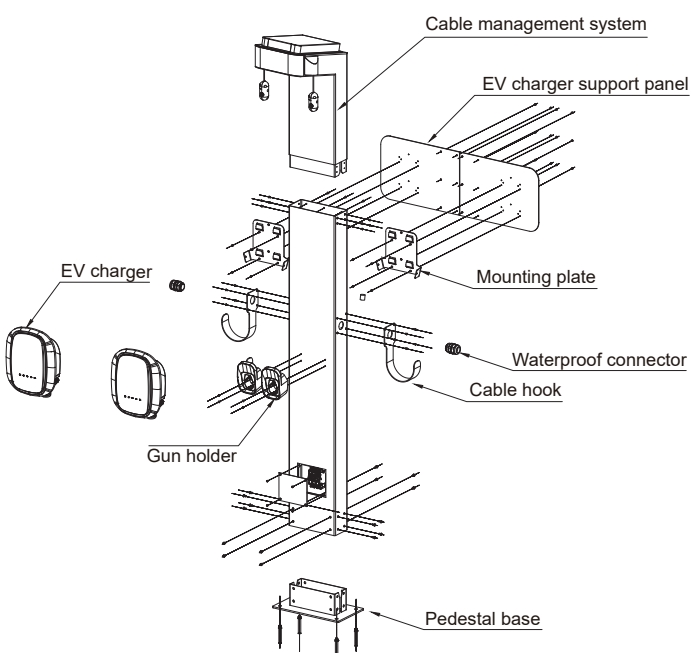


Technical Data and Specifications

| | | |
|-------------------|--|----------------------|
| Model No. | 5FT:EVT003 | 7FT:EVT004 |
| Dimension - inch | Pedestal: 9.8×3.9×60 | Pedestal: 9.8×3.9×84 |
| | Base plate: 14×8×0.24 | |
| Weight | 55.1LBs | 100.0LBs |
| Charging Stations | Mount up to 2 charging stations | |
| Compliance | Charging station and holster mounts are compliance with Americans with Disabilities Act, Standards (ADA) recommended charge connect height of less than 48" and greater than 24" | |
| Installation | Ground-based; anchor installation into concrete | |

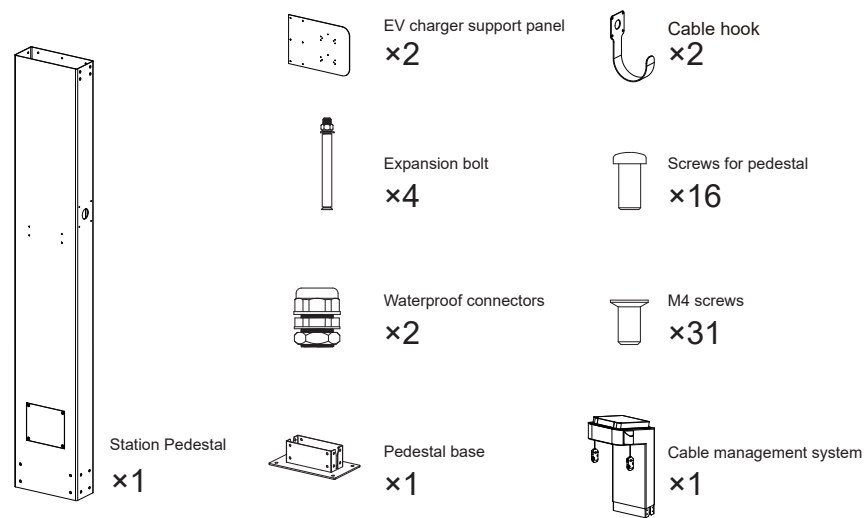
5FT

Station Pedestal Accessories List



7FT

Station Pedestal Accessories List



Step 2

7FT pedestal installation
Install and secure the pedestal base to the pedestal pole with 16 screws. Reference Figure 3

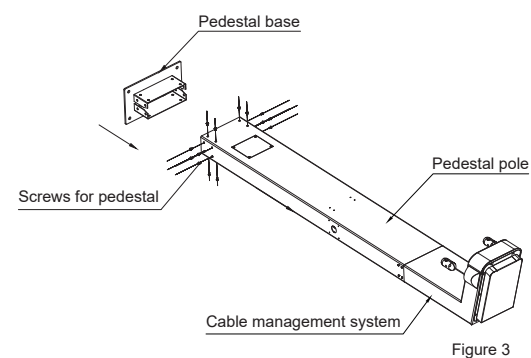


Figure 3

Step 3

Drill 4 holes with a diameter of 0.5 inch and a depth of 4.7 inch on the ground where the pedestal base to be located.

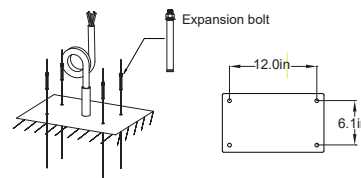


Figure 4

Step 4

Once the pedestal base is installed and secured on the ground, assemble the pedestal pole to the base. Please note that the electrical power cord must pass through the certain open space of the pedestal base. Install and secure the pedestal pole to the base with 4 expansion bolts.

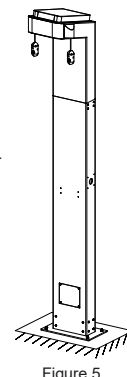


Figure 5

Step 1

Place the pedestal horizontally for installation purpose.

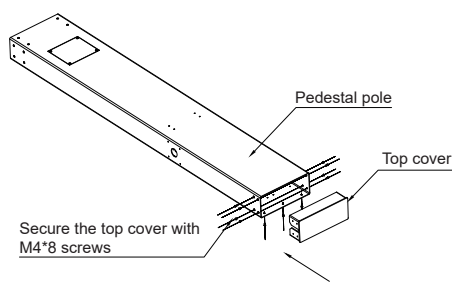


Figure 1

5FT pedestal installation: Assemble and secure the pedestal top cover with 8 screws to the top of the pedestal pole. Reference Figure 1

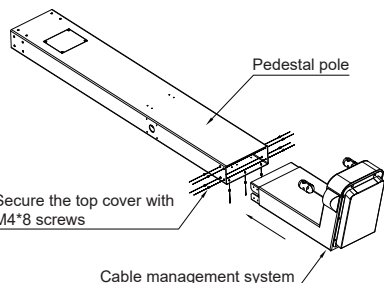


Figure 2

7FT pedestal installation: Assemble and secure the cable management unit with 8 screws to the top of the pedestal pole. Reference Figure 2

Step 5

Assemble the fixing plate

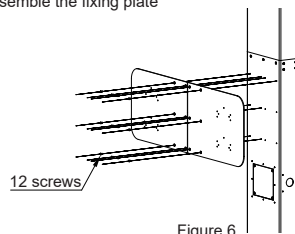


Figure 6

Use 12 screws to install the left and right support panel on the posts. Install the left and right support panel

Step 6

Install cable hooks to the pedestal

Use 8 screws to lock the cable hook to the pedestal.

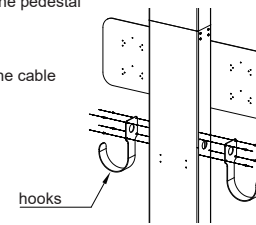


Figure 7

Step 7

Assemble charge gun to the pedestal

Uses 4 screws to secure 2 gun holder to the post.

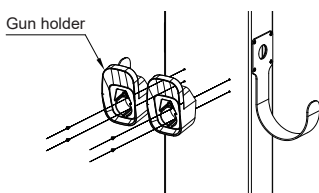


Figure 8

Step 8

Secure the EV chargers mounting plate to the pedestal support panel.

Install 2 EV charger mounting plate to the support panel with 8 screws

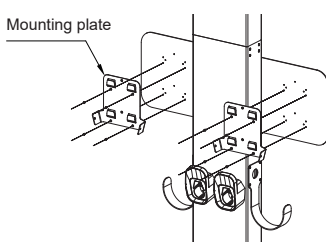
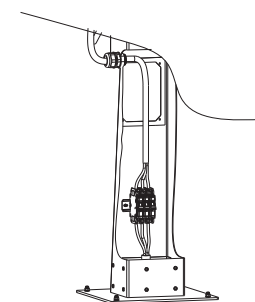


Figure 9

Electrical Connection Diagram of the Pedestal

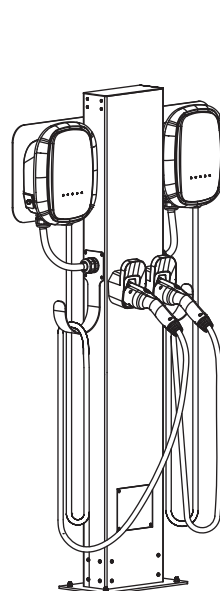
Licensed Electrician is required for electrical installation. For details, please reference to the EV charger installation guide.



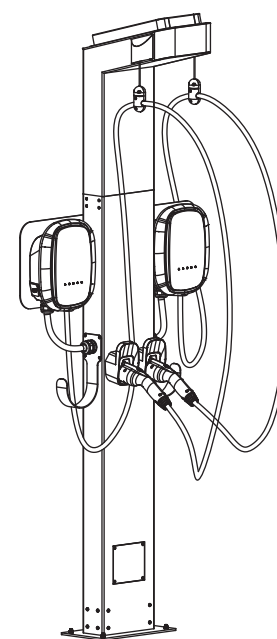
The Effect Picture after Installation

5FT

7FT



5FT Pedestal



7FT Pedestal

Step 9

Install the waterproof connector on the pedestal.

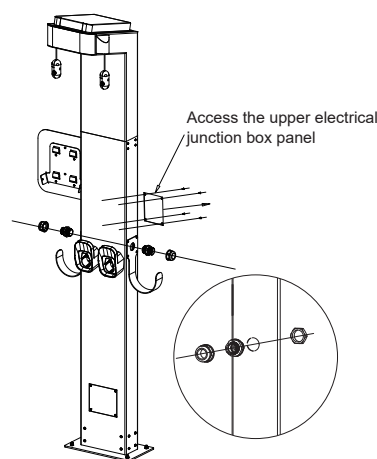


Figure 10

Remove the upper electrical junction box panel cover, disassemble the waterproof wire connector and assemble it to the pedestal pole according to the figure.

Step 10

Install the waterproof connector on the pedestal.

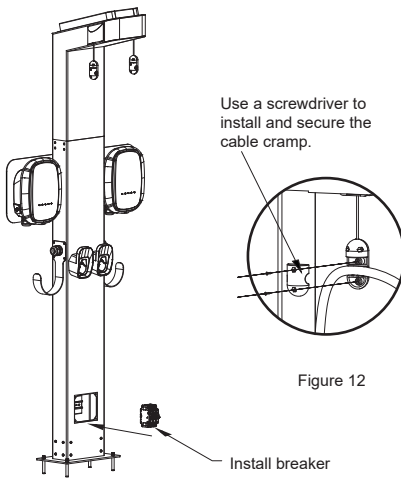


Figure 11

Remove the upper electrical junction box panel cover, disassemble the waterproof wire connector and assemble it to the pedestal pole according to the figure.

Figure 12