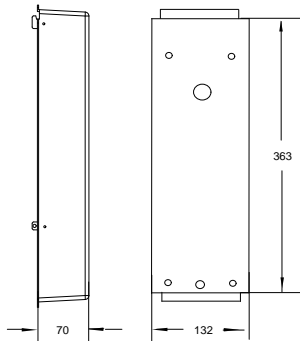
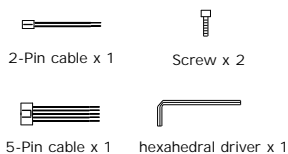
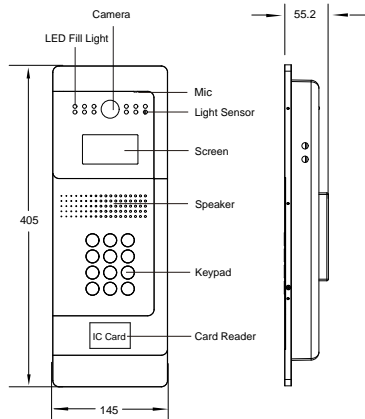
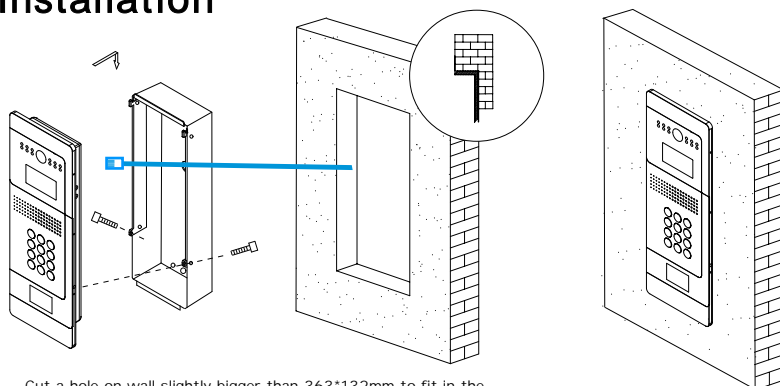


Product Overview



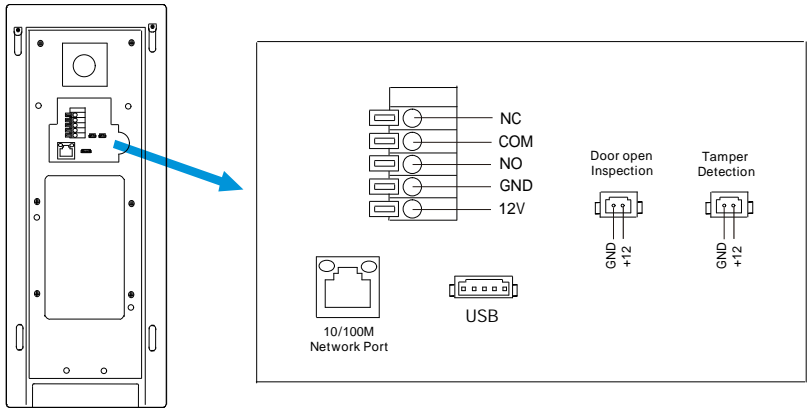
Mounting box

Installation

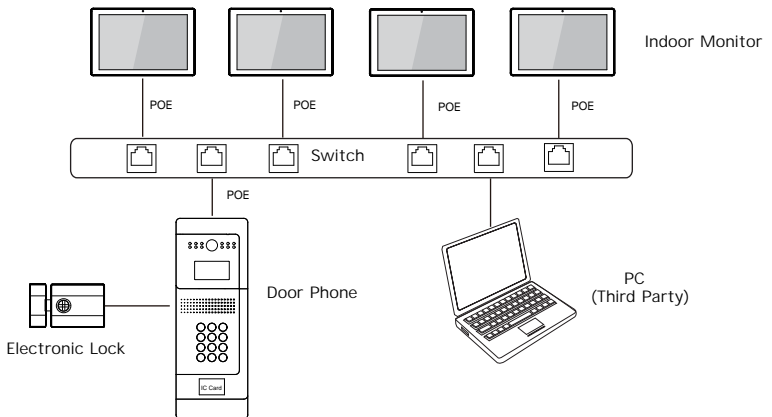


Cut a hole on wall slightly bigger than 363*132mm to fit in the mounting box, use screws to fix it in the wall. Clip in the upper two hooks of the mounting box to the device, and screw it tight to the mounting box by both sides.

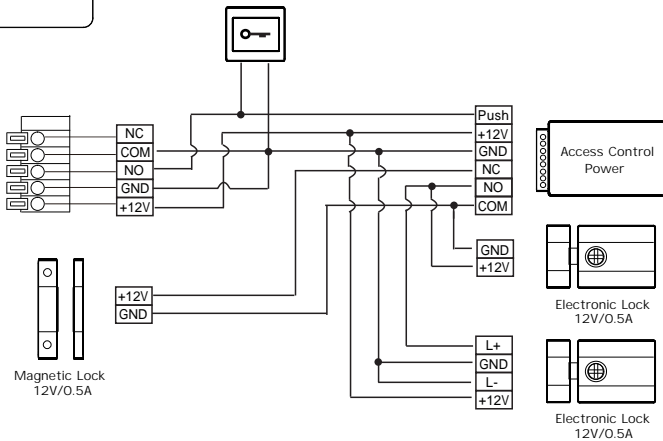
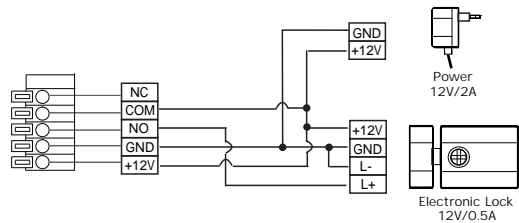
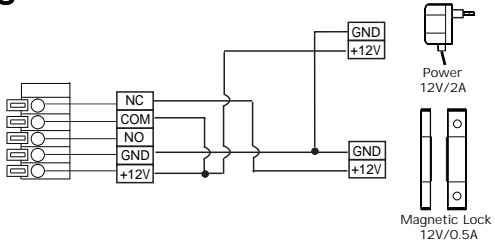
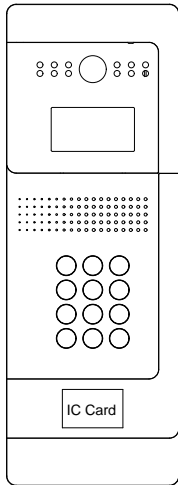
Device Wiring



Network Topology



Unlock Wiring



Notice information:

For the system configuration, please visit <http://en.taichuan.com/service/> Or contact us by:

Technical support email: globalmarket@taichuan.com

Telephone: +86-756-8665853