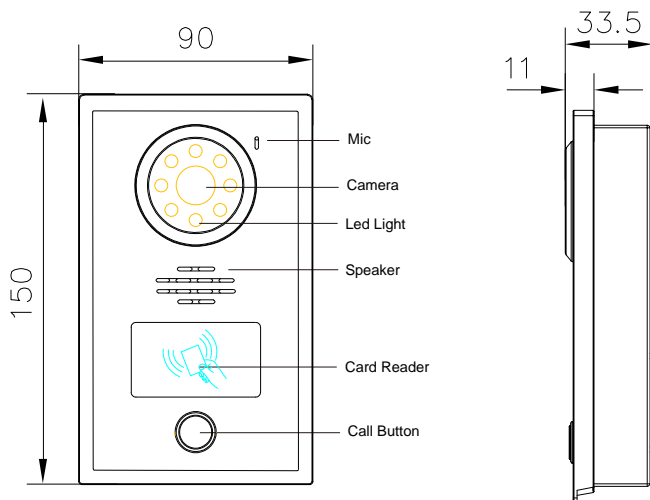
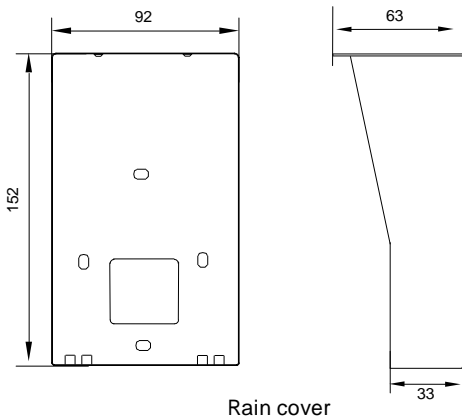
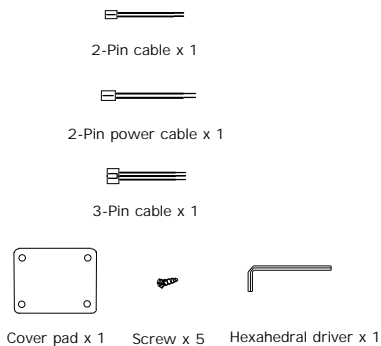


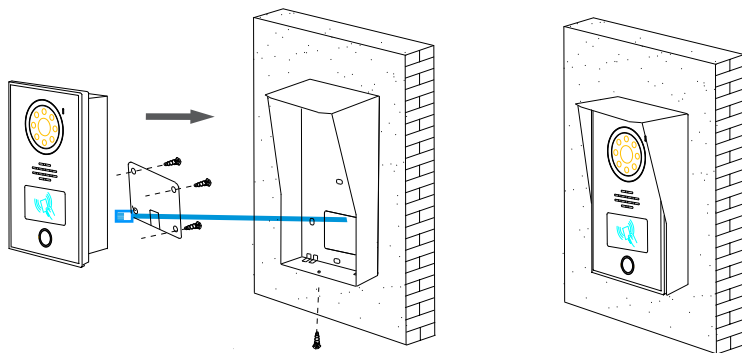
### Product Overview



### Accessories

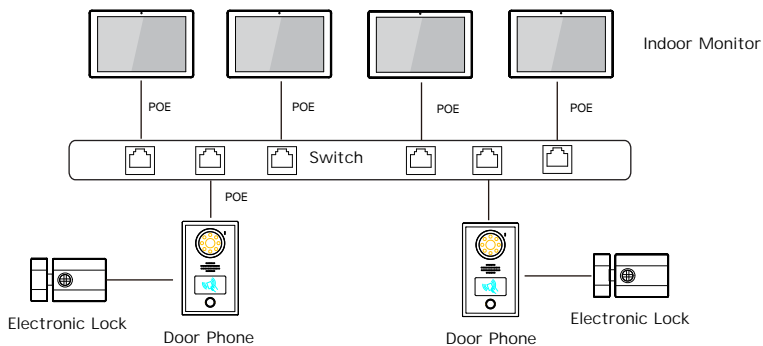


## Installation

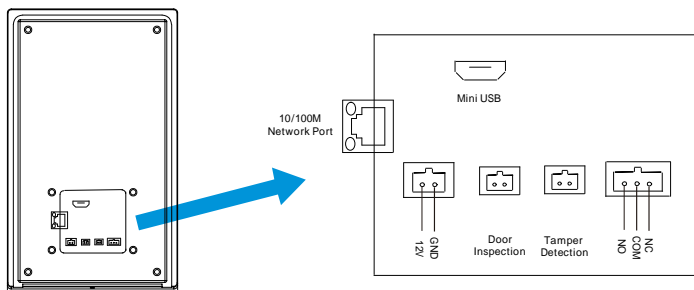


Use screws to fix the rain cover on the wall. Connect cables to the doorbell, fix the cover pad by screws. Mount the doorbell to the rain cover, use screw to fix it at the bottom side.

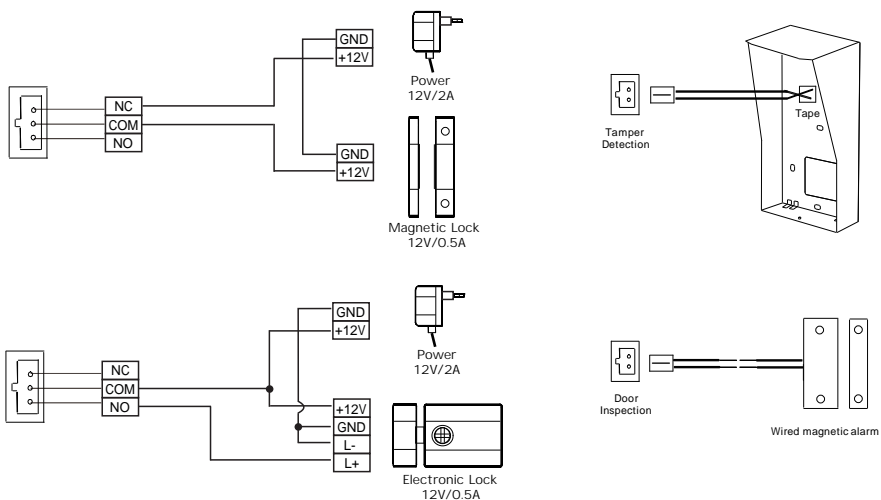
## Network Topology



### Device Wiring



### Unlock Wiring



Notice information:

For the system configuration, please visit <http://en.taichuan.com/service/> or contact us by:

Technical support email: [globalmarket@taichuan.com](mailto:globalmarket@taichuan.com)

Telephone: +86-756-8665853