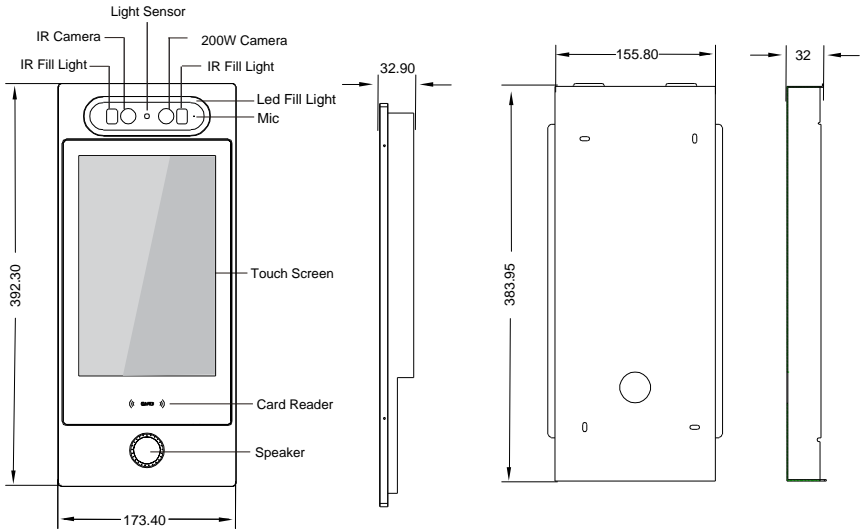


Product Overview



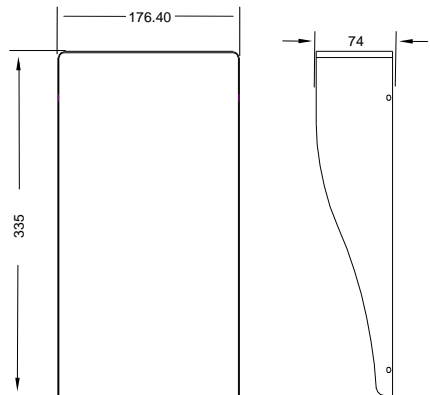
Accessories



2-Pin cable x 1



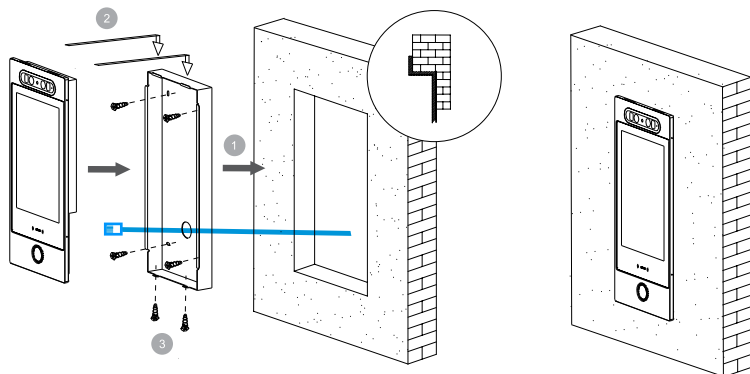
4-Pin cable x 1



Optional rain cover

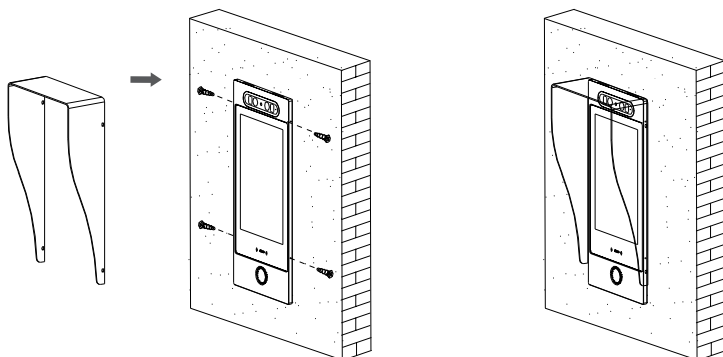
Installation

Step 1: Mounting installation



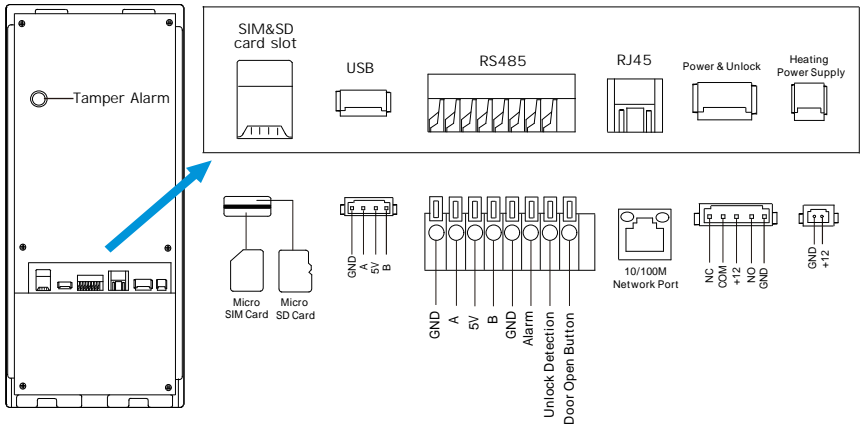
Cut a hole on wall slightly bigger than 384*156mm to fit in the mounting box, use screws to fix it in the wall. Clip in the upper two hooks of the mounting box to the device, and screw it tight on the bottom.

Step 2: Rain cover installation

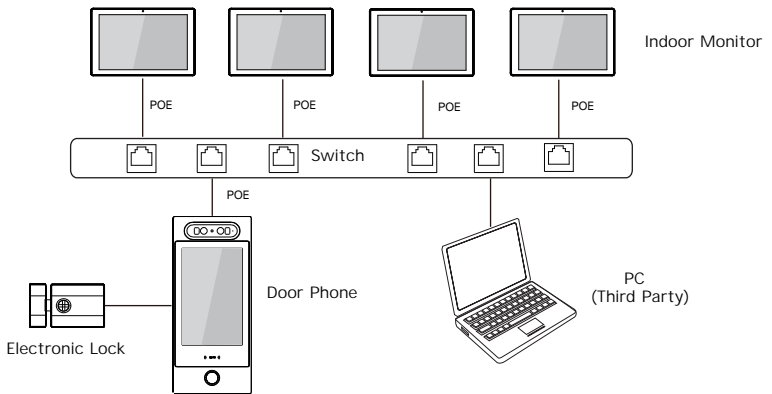


Note: The rain cover needs to order separately.

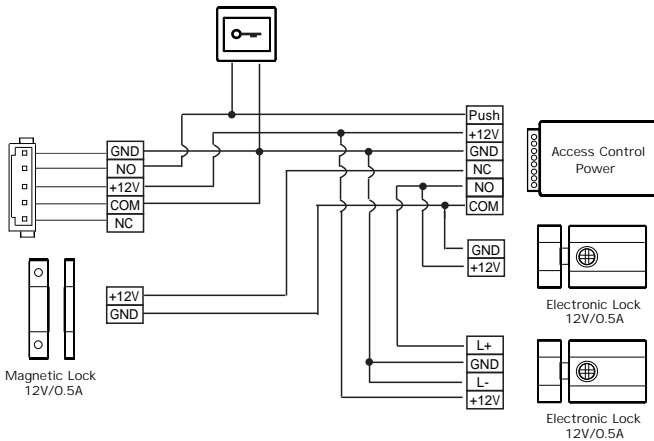
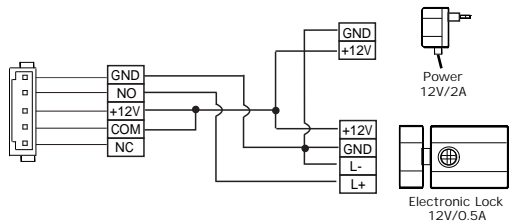
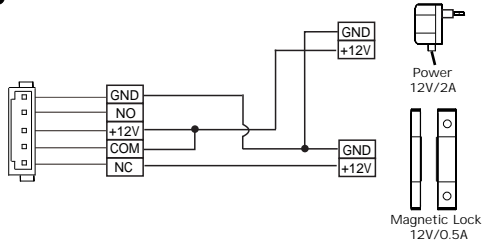
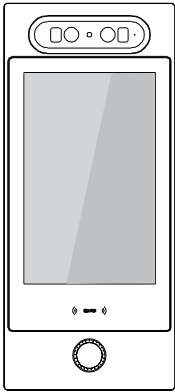
Device Wiring



Network Topology



Unlock Wiring



Notice information:

For the system configuration, please visit <http://en.taichuan.com/service/> Or contact us by:

Technical support email: globalmarket@taichuan.com

Telephone: +86-756-8665853