

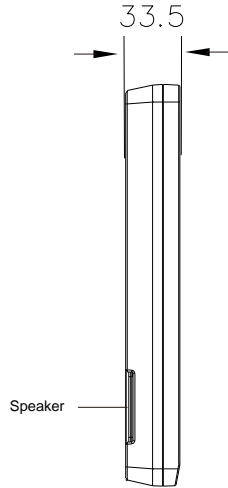
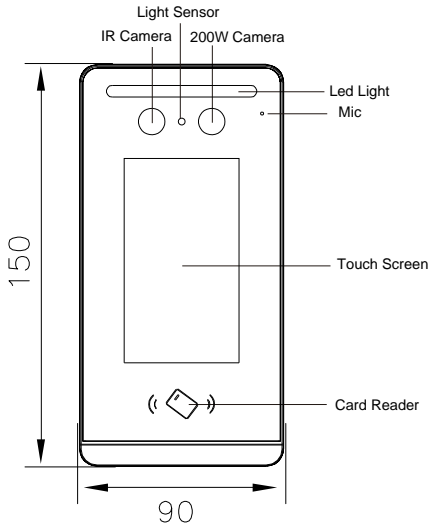
# TC-5000D-S4A

Video Doorbell

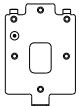
Wall Mounting Installation

Quick Guide

## Product Overview



## Accessories



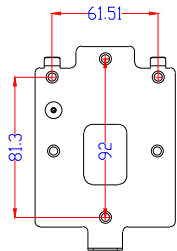
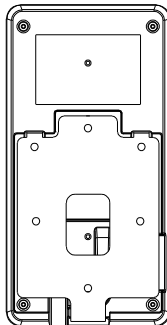
Mounting bracket x 1



Screw x 1



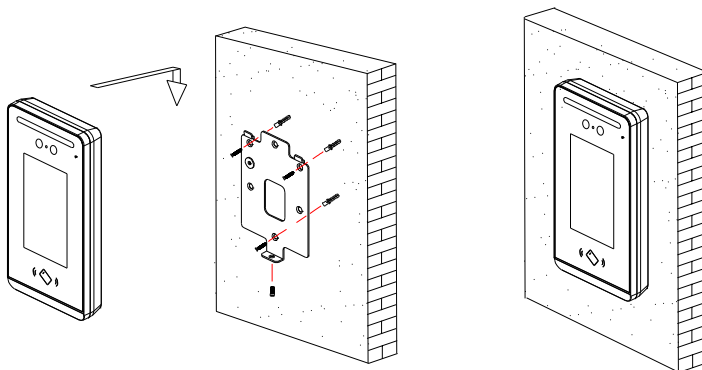
Hexahedral driver x 1



Mounting bracket

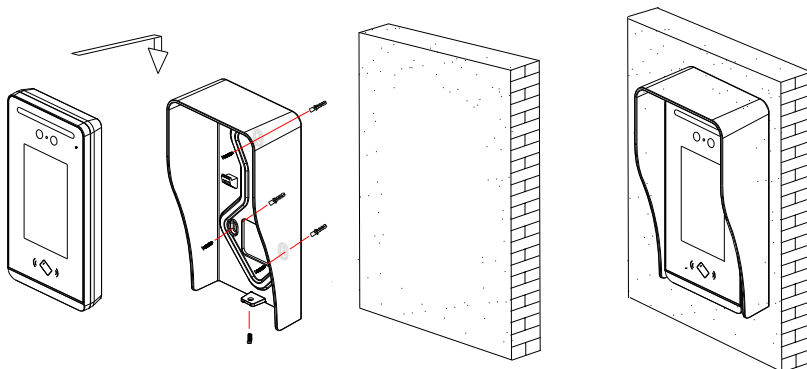
## Installation

### Step 1: Mounting installation



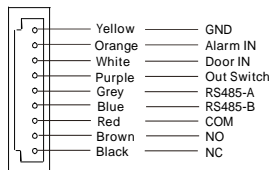
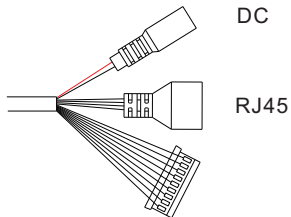
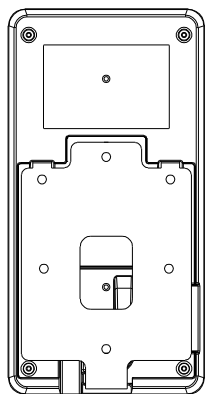
Use screws to fix the rain cover on the wall. Connect cables to the doorbell, fix the cover pad by screws. Mount the doorbell to the rain cover, use screw to fix it at the bottom side.

### Step 2: Rain cover installation

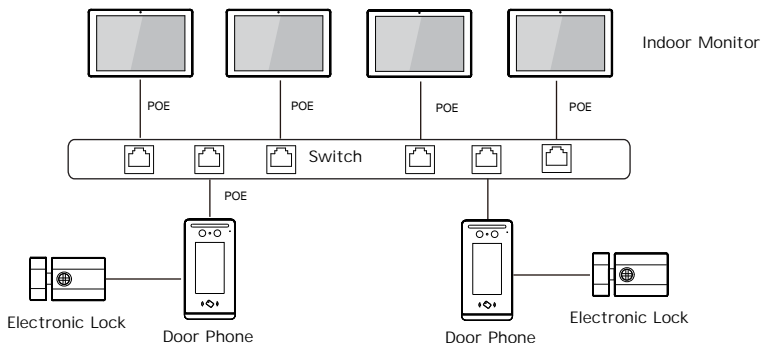


Note: The rain cover needs to order seperately.

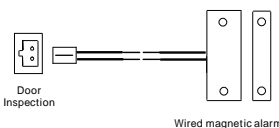
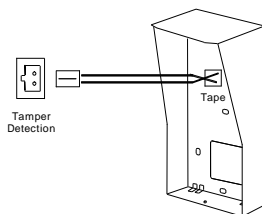
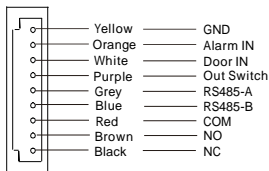
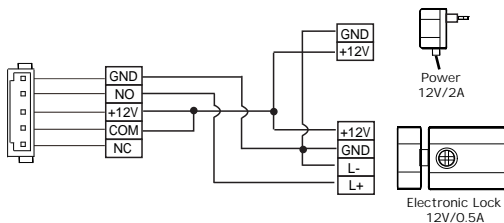
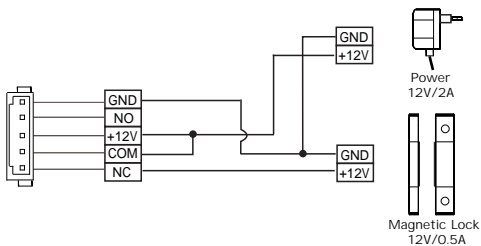
### Device Wiring



### Network Topology



## Unlock Wiring



Notice information:  
 For the system configuration, please visit <http://en.taichuan.com/service/>Or  
 contact us by:  
 Technical support email: [globalmarket@taichuan.com](mailto:globalmarket@taichuan.com)  
 Telephone: +86-756-8665853