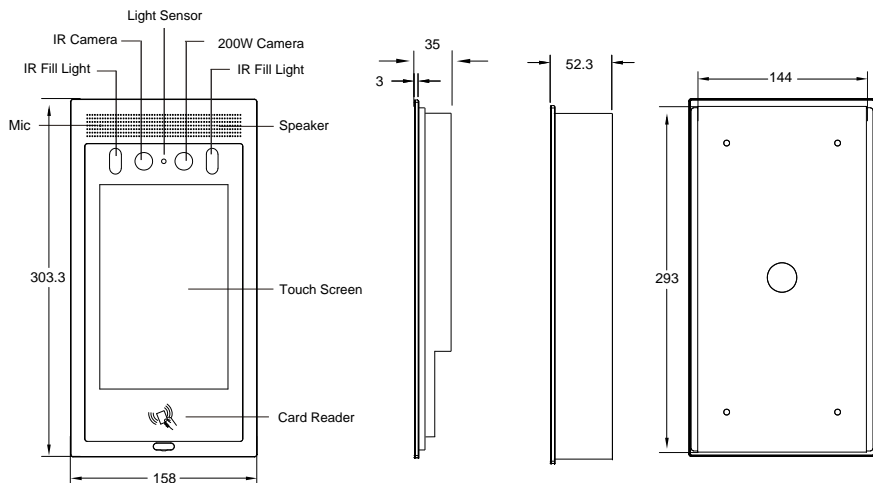
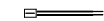


Product Overview



Accessories



4-Pin cable x 1



8-Pin cable x 1



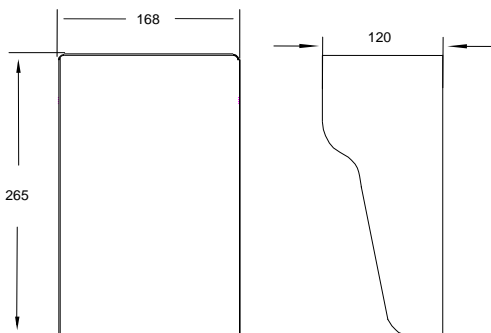
6-Pin cable x 1



Screw x 1



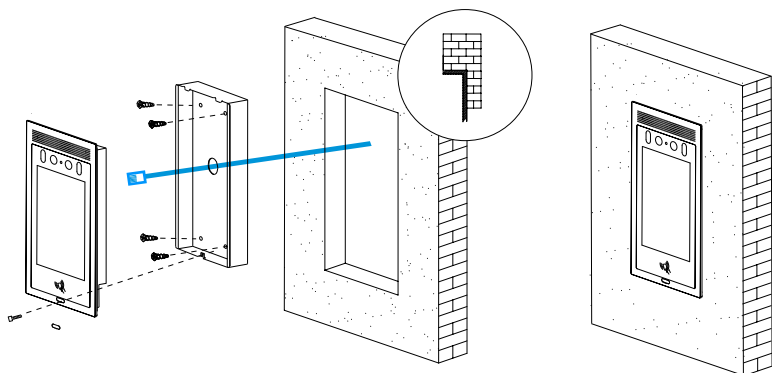
hexahedral driver x 1



Optional rain cover

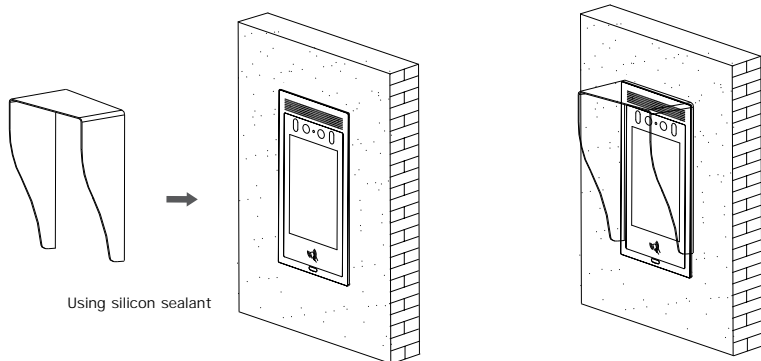
Installation

Step 1: Mounting installation



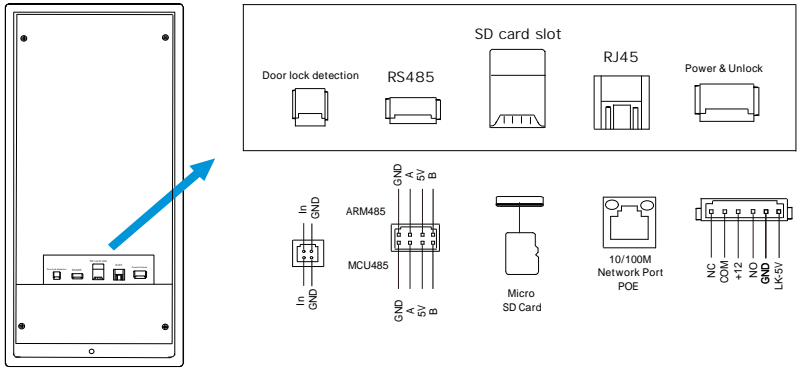
Cut a hole on wall slightly bigger than 293*144mm to fit in the mounting box, use screws to fix it in the wall. Clip in the upper two hooks of the mounting box to the device, take off the small oval plate at the bottom of the device, and screw it tight to the mounting box, put back the oval plate.

Step 2: Rain cover installation

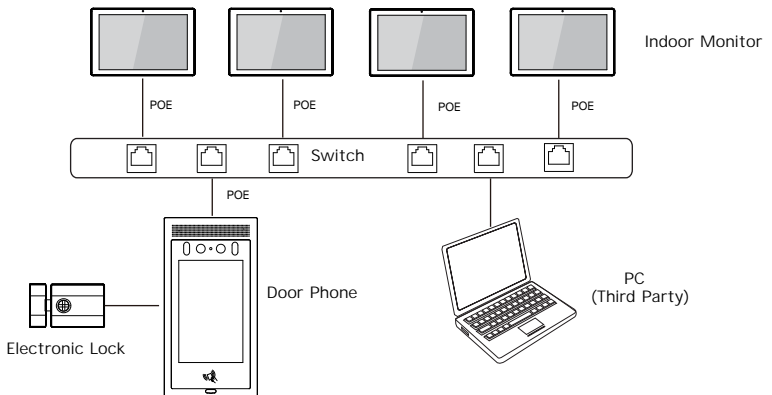


Note: The rain cover needs to order separately.

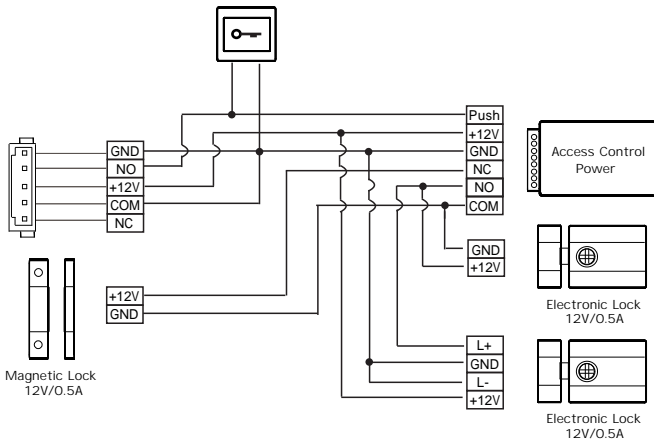
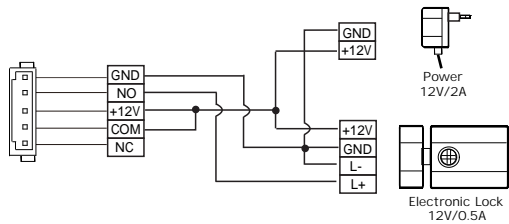
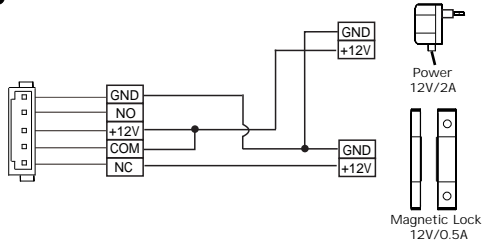
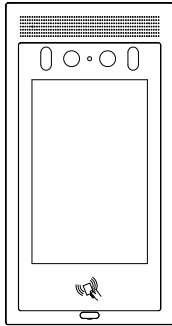
Device Wiring



Network Topology



Unlock Wiring



Notice information:
 For the system configuration, please visit <http://en.taichuan.com/service/> Or
 contact us by:
 Technical support email: globalmarket@taichuan.com
 Telephone: +86-756-8665853