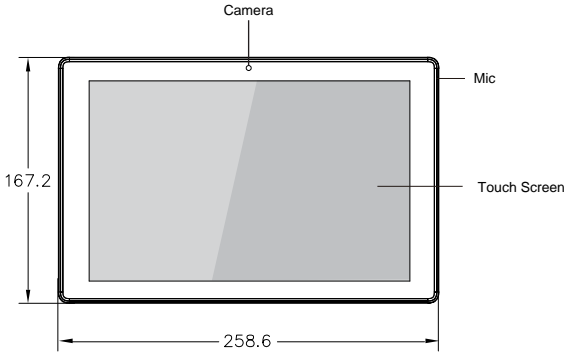
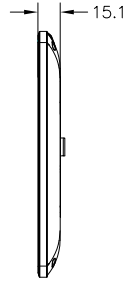


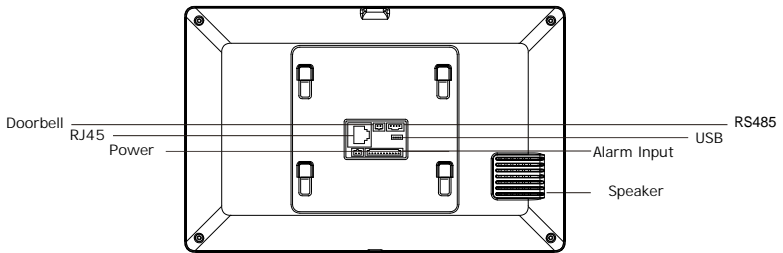
Product Overview



Front View

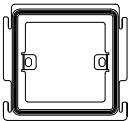


Right View



Rear View

Accessories



Mounting bracket x 1



2-Pin cable x 2



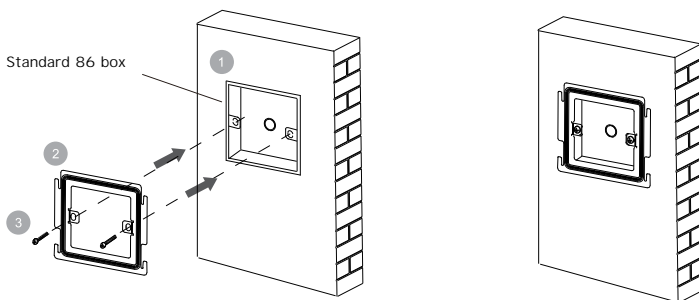
4-Pin cable x 1



11-Pin cable x 1

Installation

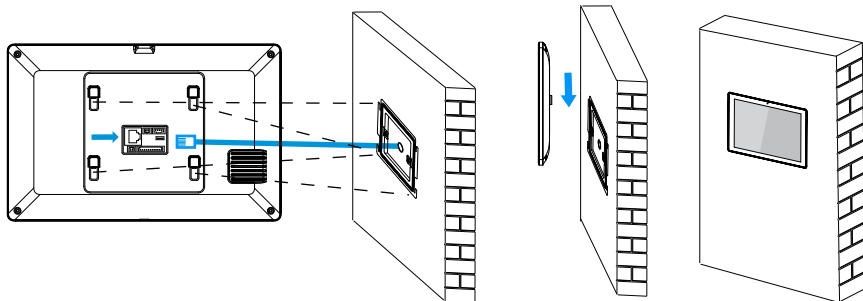
Step 1: Mounting bracket installation



Pre-install standard 86 box in the wall, fasten the bracket to the box using screws.
 Note: Please make sure the hooks are facing up and outward.
 The distance between 2 holes is 60mm.

The mounting bracket installation is done.

Step 2: Device installation

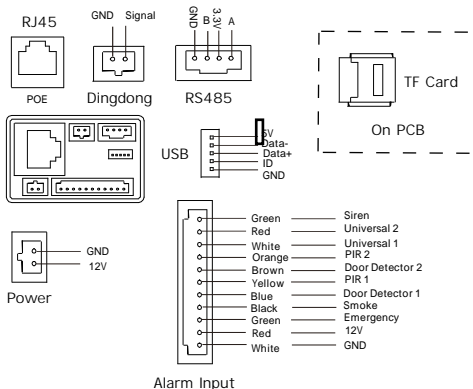
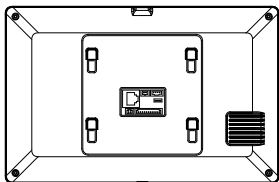


Connect cables to the corresponding ports on the back of the device (please refer to the device wiring section).

Align the holes on the back cover with the hooks of bracket. Press the device into the bracket and push down until it is clipped on.

The device installation is done.

Device Wiring

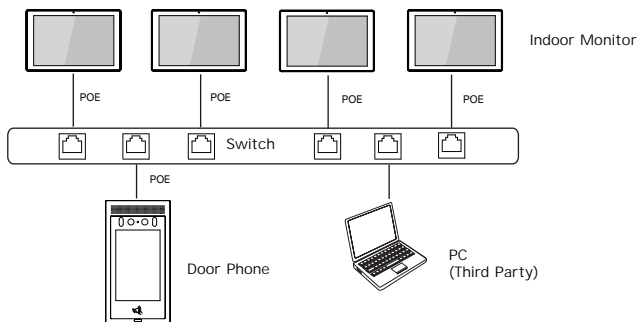


Device Removal



Push up and remove the device gently to avoid damaging the ports of the device.

Network Topology



Notice information:

For the system configuration, please visit <http://en.taichuan.com/service/>

Or contact us by:

Technical support email: globalmarket@taichuan.com

Telephone: +86-756-8665853