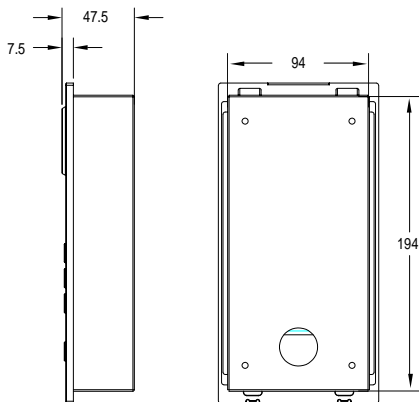
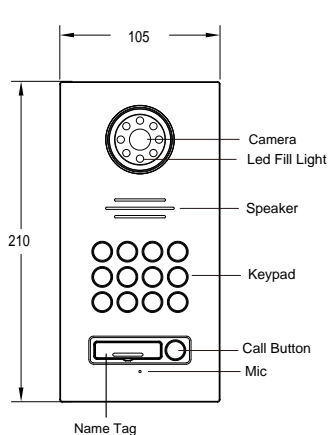


### Product Overview



### Accessories



2-Pin cable x 2



Hexahedral Screw x 2



5-Pin cable x 1



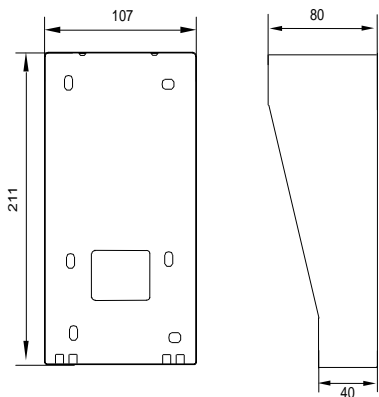
Hexahedral driver x 1



Screw x 4

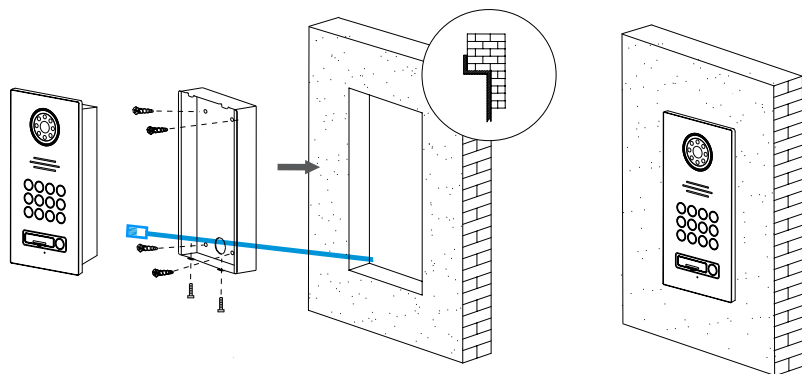


Screw expansion tube x 4



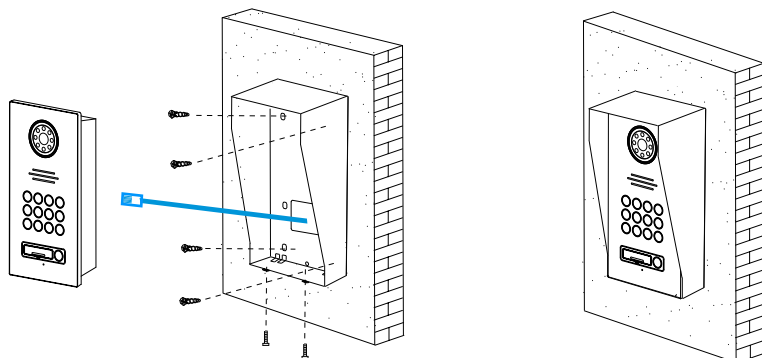
Optional wall mount rain cover

## Installation



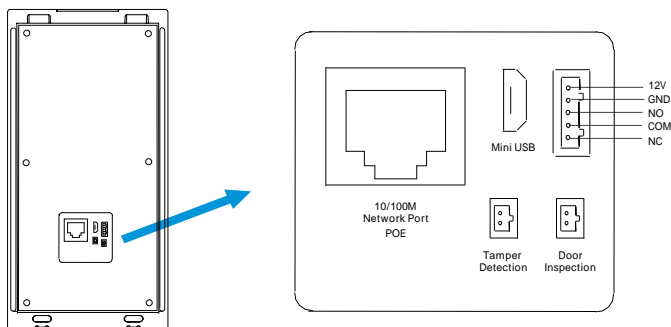
Cut a hole on wall slightly bigger than 194\*94mm to fit in the mounting box, use screws to fix it in the wall. Clip in the upper two hooks of the mounting box to the device, and screw it tight at the bottom.

## Rain cover installation

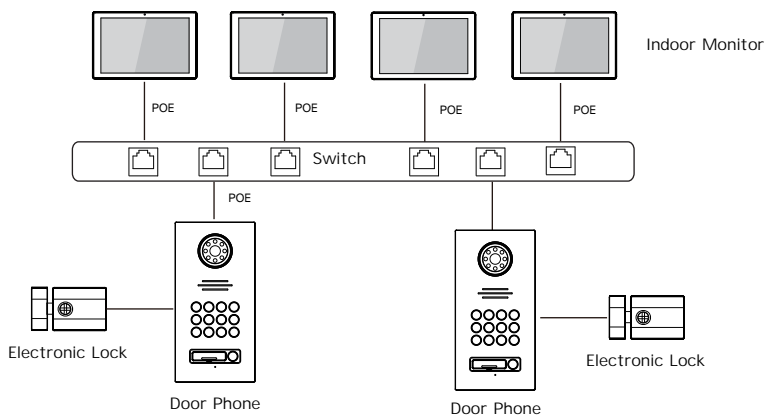


Note: The rain cover needs to order separately.

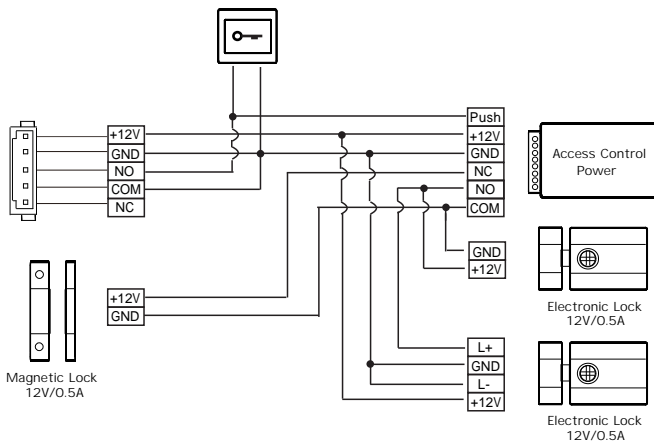
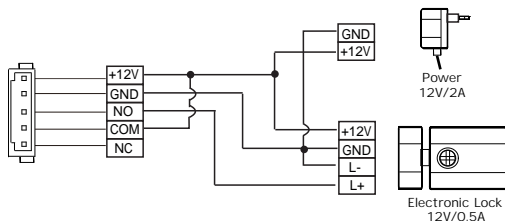
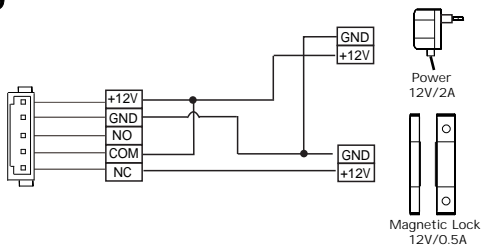
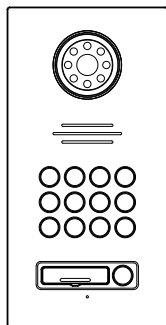
## Device Wiring



## Network Topology



## Unlock Wiring



Notice information:

For the system configuration, please visit <http://en.taichuan.com/service/> Or

contact us by:

Technical support email: [globalmarket@taichuan.com](mailto:globalmarket@taichuan.com)

Telephone: +86-756-8665853