

本目录各项产品颜色因印刷及摄影之故，与实物可能有所差异，请事先了解本目录所有产品，以实物为准，如有更改，恕不另行通知。
Please be aware that all colors of the articles listed herein in the catalogue may differ from that of the real objects due to photography and printing process. All articles listed in the catalogue are subject to the real objects. Should any change, correction and alteration on them be occurred, please be noted that it should not be our obligation to inform you of it.

Hardware

Professional stainless steel home decoration



揭阳磐东左钢五金制品厂

JIEYANG PANDONG ZUOGANG HARDWARE PRODUCTS FACTORY

地址：广东省广州市白云区同和街道天健创意园西门3栋106A金荣达

Office: Jin Rongda, Building 3, West Gate, Tianjian Creative Park,
Tonghe Street, Baiyun District, Guangzhou City,
Guangdong Province, China

电话：020-87200220 传真：020-87200890

厂址：揭阳市磐东镇左钢五金厂

Factory: Jieyang Pandong Town Zuogang Hardware Factory



阿里巴巴店铺



微信电子画册



Rebound device

Cabinet hardware rebounder series

橱柜五金反弹器系列



櫥櫃五金反彈器系列

Cabinet Hardware Rebounder Series

Rebound device





我们的团队在工作中要求准确到位，管理构架完善。我们强调发扬团队精神，

以技术创新，管理创新，创一流产品。以一流的服务，诚信美誉。源源不断

地向社会输送优质、安全、可靠、环保、美观。优越的品质，卓越的服务，

使每一个环节都有条不紊。鼓励员工与公司共同成长，众志成城！

Our team requires accuracy in their work and a sound management structure.

We emphasize to carry forward the team spirit, technology innovation,

management innovation, create first-class products. With first-class service,

integrity reputation. Continuous delivery of high quality, safety, reliability,

environmental protection, beautiful to the society. Superior quality, excellent

service, so that every link is orderly. Encourage employees to grow together

with the company, united as one!



SALES NETWORK

成熟高效的网络销售市场服务，强大便捷的物流体系。

MATURE AND EFFICIENT NETWORK SALES MARKET SERVICES,
POWERFUL AND CONVENIENT LOGISTICS SYSTEM

经过多年来的经营稳步提升，建立一套成熟高效物流网络市场的服务体系。提供大小货物的一条龙进

出口供应链服务，尽可能的为您降低运输成本，以根据客户要求量身打造合适的物流供应链方案，让

您省心省力运筹帷幄，产品遍布全球各地，更好地服务各地客商的实际需求，贴心服务好每位顾客，

我们期待与您的合作！

After years of steady improvement, the establishment of a set of mature and efficient logistics network market service

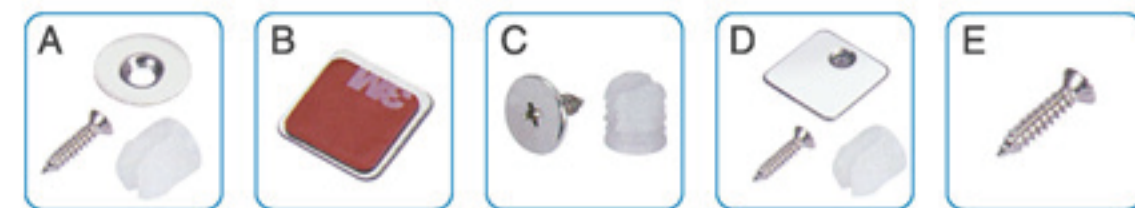
system. Provide size goods one-stop import and export supply chain services, as far as possible for you to reduce

transportation costs, according to customer requirements tailored to create a suitable logistics supply chain solutions,

so that you save worry and labor planning, products all over the world, to better serve the actual needs of customers

around the world, intimate service every customer, we look forward to working with you!





反弹器系列
Rebounder series



D-01

- ▶ 常规暗藏反弹器
Conventional hidden rebounder
- ▶ 颜色: 灰色、白色
Color: Gray, White
- ▶ 安装方式: 暗装
Installation mode:
Underdress



D-02

- ▶ 细常规反弹器
Fine conventional rebounder
- ▶ 颜色: 灰色、白色
Color: Gray, White
- ▶ 安装方式: 明装
Installation mode:
Plain clothes



D-03

- ▶ 粗常规反弹器
Coarse conventional rebounder
- ▶ 颜色: 灰色、白色
Color: Gray, White
- ▶ 安装方式: 明装
Installation mode:
Plain clothes



D-04

- ▶ 粗短反弹器
Stubby bouncer
- ▶ 颜色: 灰色、白色
Color: Gray, White
- ▶ 安装方式: 明装
Installation mode:
Plain clothes



D-05

- ▶ 细飞机反弹器
Aircraft rebounder
- ▶ 颜色: 灰色、白色
Color: Gray, White
- ▶ 安装方式: 明装
Installation mode:
Plain clothes



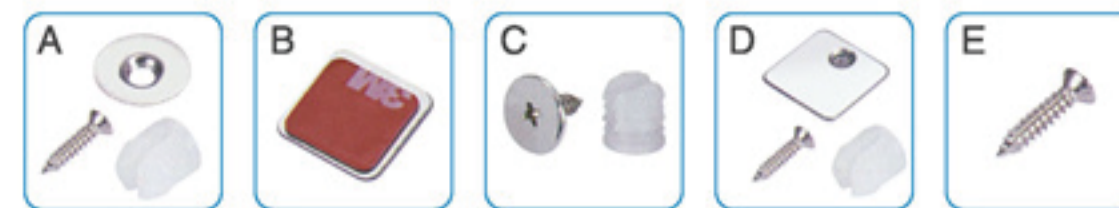
D-06

- ▶ 粗飞机反弹器
Coarse Aircraft Rebounder
- ▶ 颜色: 灰色、白色
Color: Gray, White
- ▶ 安装方式: 明装
Installation mode:
Plain clothes

Fine quality, reliable durable

精致品质 可靠耐用





D-07

- ▶ 钢壳反弹器
Steel shell rebounder
- ▶ 颜色: 拉丝钢
Color: Brushed steel
- ▶ 安装方式: 明装
Installation mode:
Plain clothes



D-08

- ▶ 钢壳飞机反弹器
Steel shell aircraft rebounder
- ▶ 颜色: 拉丝钢
Color: Brushed steel
- ▶ 安装方式: 明装
Installation mode:
Plain clothes



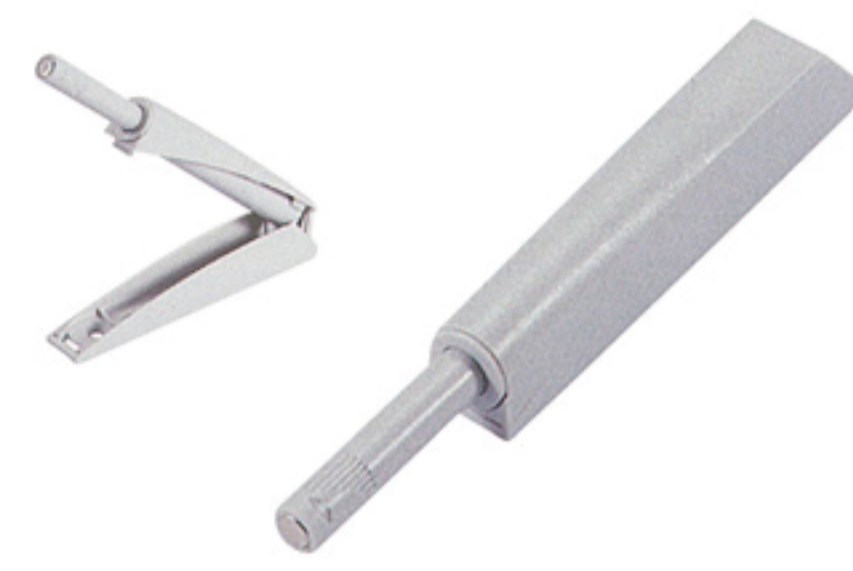
D-09

- ▶ 子弹头反弹器
Bullet rebounder
- ▶ 颜色: 银色、黑色、金色
Color: Silver, Black, Golden
- ▶ 安装方式: 明装
Installation mode:
Plain clothes



D-13

- ▶ HD内芯反弹器
HD Inner rebounder
- ▶ 颜色: 浅白色、浅灰色
Color: White, Light grey
- ▶ 安装方式: 暗装
Installation mode:
Underdress



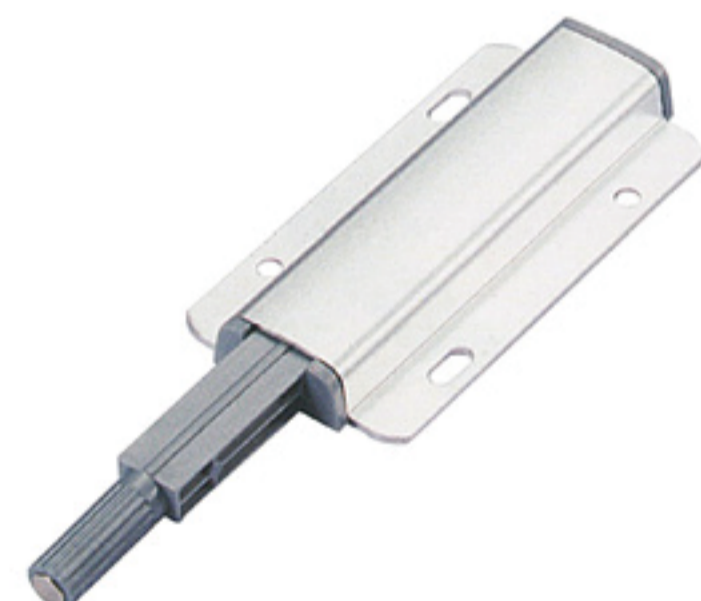
D-14

- ▶ HD反弹器
HD Rebounder
- ▶ 颜色: 白色、浅灰色、黑色
Color: White, Light grey, Black
- ▶ 安装方式: 明装/暗装
Installation mode:
Plain clothes/underdress



D-15

- ▶ BL反弹器
BL Rebounder
- ▶ 颜色: 浅灰色、黑色
Color: Light grey, Black
- ▶ 安装方式: 明装/暗装
Installation mode:
Plain clothes/underdress



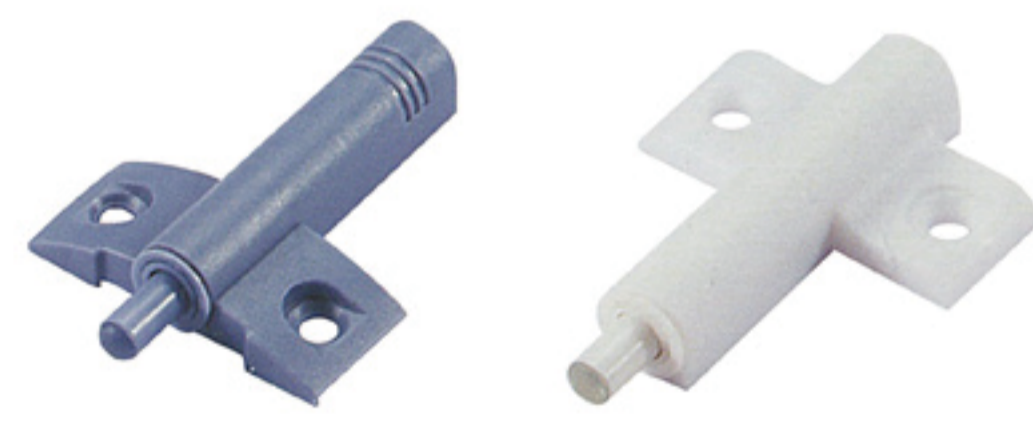
D-10

- ▶ 铝单反弹器
Aluminum single rebounder
- ▶ 颜色: 银色、黑色、金色
Color: Silver, Black, Golden
- ▶ 安装方式: 明装
Installation mode:
Plain clothes



D-11

- ▶ 铝双反弹器
Aluminum double rebounder
- ▶ 颜色: 银色、金色
Color: Silver, Golden
- ▶ 安装方式: 明装
Installation mode:
Plain clothes



D-12

- ▶ 钢缓冲反弹器前机/后机
Buffer rebounder front/rear
- ▶ 颜色: 灰色、白色
Color: Gray, White
- ▶ 安装方式: 明装/暗装
Installation mode:
Plain clothes/underdress



D-16

- ▶ HD飞机反弹器
HD Aircraft rebounder
- ▶ 颜色: 浅灰色
Color: Light grey
- ▶ 安装方式: 明装/暗装
Installation mode:
Plain clothes/underdress



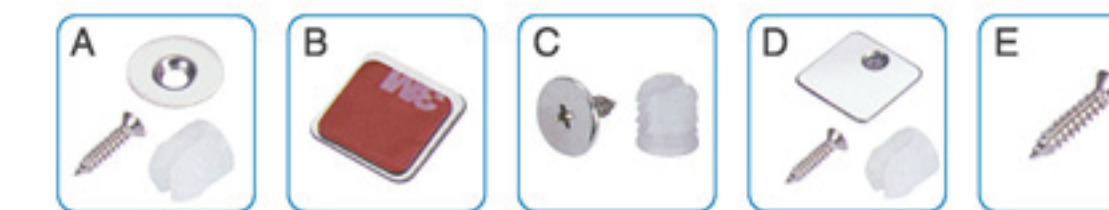
D-17

- ▶ BL飞机反弹器
BL Aircraft rebounder
- ▶ 颜色: 浅灰色
Color: Light grey
- ▶ 安装方式: 明装
Installation mode:
Plain clothes



D-18

- ▶ 方形反弹器
Square bouncer
- ▶ 颜色: 浅灰色
Color: Light grey
- ▶ 安装方式: 明装/暗装
Installation mode:
Plain clothes/underdress



D-19

- ▶ Y款反弹器
Type Y rebounder
- ▶ 颜色: 白色、灰色
Color: White, Gray
- ▶ 材质: POM
Material: POM



D-20

- ▶ T款反弹器
Type T rebounder
- ▶ 颜色: 白色、灰色
Color: White, Gray
- ▶ 材质: POM+ABS
Material: POM+ABS



D-21

- ▶ A款一体反弹器
Type A all-in-one rebounder
- ▶ 颜色: 灰色、白色
Color: Gray, White
- ▶ 材质: POM
Material: POM



D-25

- ▶ B款重型反弹器
Type B heavy-duty rebounder
- ▶ 颜色: 深灰色
Color: Dark grey
- ▶ 材质: POM
Material: POM



D-26

- ▶ 大弹力反弹器
Large elastic rebounder
- ▶ 颜色: 深灰色
Color: Dark grey
- ▶ 材质: POM
Material: POM



D-27

- ▶ BL重力飞机反弹器(4孔)
BL Gravity Aircraft Rebound (Four Holes)
- ▶ 颜色: 浅灰色
Color: Light grey
- ▶ 安装方式: 明装
Installation mode: Plain clothes



D-22

- ▶ 子弹头飞机反弹器(两孔)
Bullet Aircraft Rebounder(Two Holes)
- ▶ 颜色: 枪灰色、银色、金色
Color: Gun gray, Silver, Golden
- ▶ 安装方式: 明装
Installation mode: Plain clothes



D-23

- ▶ 子弹头飞机反弹器
Bullet plane rebounder
- ▶ 颜色: 枪灰色、银色、金色
Color: Gun gray, Silver, Golden
- ▶ 安装方式: 明装
Installation mode: Plain clothes



D-24

- ▶ B款重型飞机反弹器
Type B heavy aircraft rebounder
- ▶ 颜色: 银色
Color: Silver
- ▶ 材质: POM
Material: POM



D-28

- ▶ 粗飞机反弹器(有声)
Coarse Aircraft Rebounder (Sound)
- ▶ 颜色: 灰色、白色
Color: Gray, White
- ▶ 安装方式: 明装
Installation mode: Plain clothes



D-29

- ▶ A款重型飞机反弹器
Type A heavy aircraft rebounder
- ▶ 颜色: 灰色、白色
Color: Gray, White
- ▶ 材质: POM
Material: POM



D-30

- ▶ A款重型双飞机反弹器
Type A heavy double aircraft rebounder
- ▶ 颜色: 灰色、白色
Color: Gray, White
- ▶ 材质: POM
Material: POM



D-31

- ▶ 卡扣火车头
Buckle locomotive
- ▶ 颜色: 银色、黑色、金色
Color: Silver, Black, Golden



D-32

- ▶ 卡扣HD反弹器
Card buckle HD rebound
- ▶ 颜色: 浅灰色
Color: Light grey



D-33

- ▶ 卡扣一体反弹器
Card buckle a rebound
- ▶ 颜色: 浅灰色
Color: Light grey



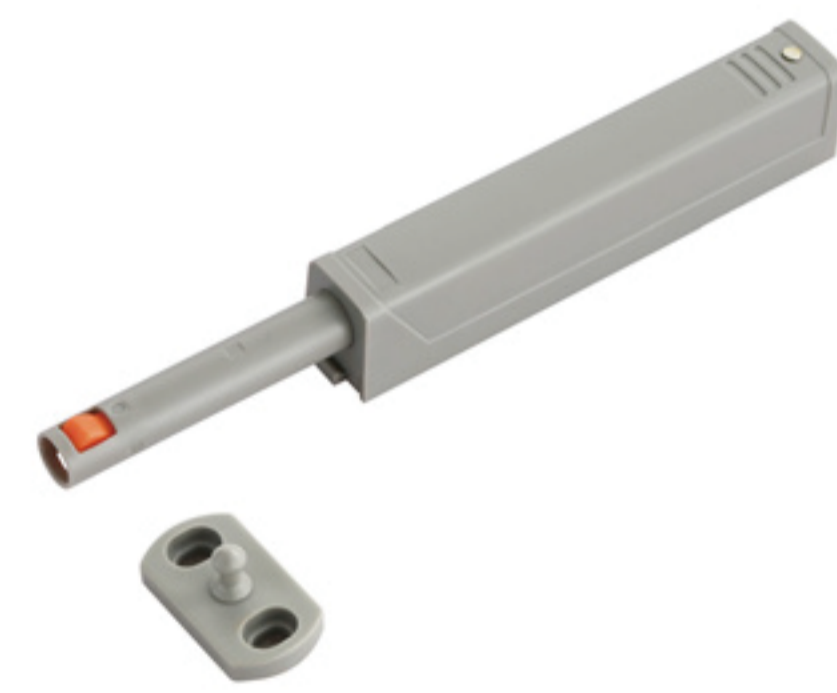
D-37

- ▶ 卡扣重力飞机款
Buckle gravity aircraft
- ▶ 颜色: 浅灰色
Color: Light grey



D-34

- ▶ 卡扣BL反弹器
Card buckle BL rebound
- ▶ 颜色: 深灰色
Color: Dark grey



D-35

- ▶ 卡扣大弹力一体款
Buckle big elastic one type
- ▶ 颜色: 深灰色
Color: Dark grey



D-36

- ▶ 卡扣大弹力飞机款
Buckle large elastic aircraft
- ▶ 颜色: 深灰色
Color: Dark grey



D-38

- ▶ 卡扣重力双飞机款
Buckle gravity twin aircraft
- ▶ 颜色: 浅灰色
Color: Light grey



核心技术, 追求完美

Core technology



D-39

- ▶ 甲虫反弹器
Beetle bouncer
- ▶ 颜色: 白色、黑色、棕色
Color: White, Black, Brown
- ▶ 安装方式: 明装
Installation mode:
Plain clothes



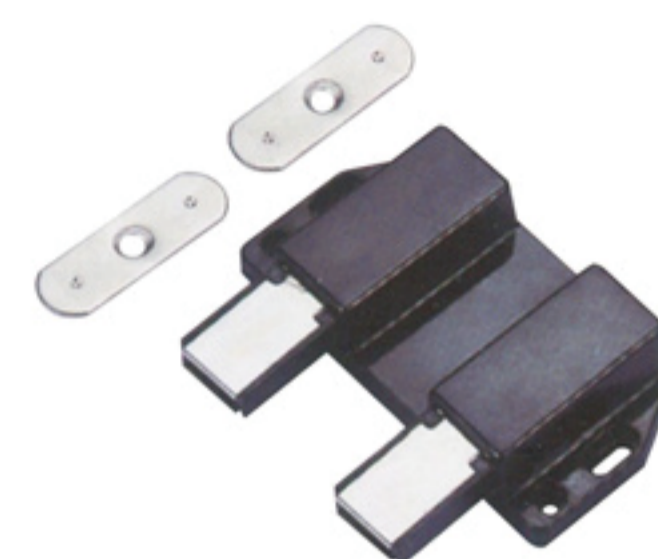
D-40

- ▶ 甲壳虫自锁反弹器
Beetle self-locking bouncer
- ▶ 颜色: 白色、黑色、棕色
Color: White, Black, Brown
- ▶ 安装方式: 明装
Installation mode:
Plain clothes



D-41

- ▶ E款反弹器
Type E rebounder
- ▶ 颜色: 白色、黑色、棕色
Color: White, Black, Brown
- ▶ 材质: POM
Material: POM



D-45

- ▶ 双碰细号反弹器
Double touch fine size rebounder
- ▶ 颜色: 白色、黑色、棕色
Color: White, Black, Brown
- ▶ 材质: ABS+铁片
Material: ABS+Iron sheet



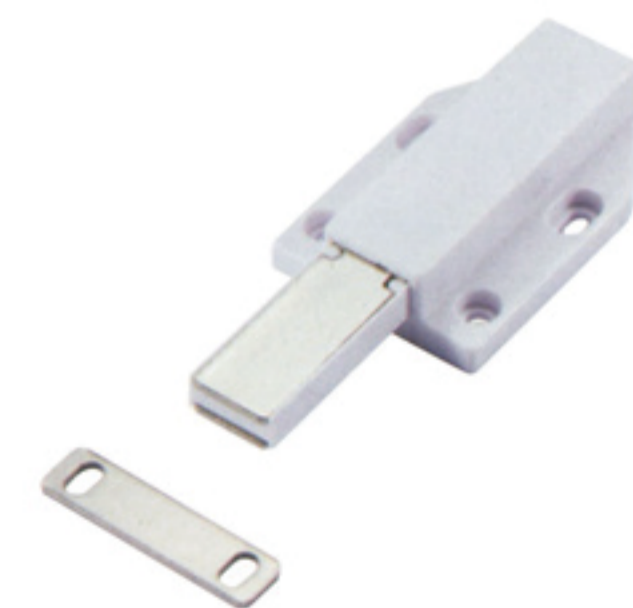
D-46

- ▶ 圆吸单反弹器
Round suction single rebound device
- ▶ 颜色: 白色、黑色
Color: White, Black
- ▶ 材质: POM+铁片
Material: POM+Iron sheet



D-47

- ▶ 圆吸双反弹器
Round suction double rebounder
- ▶ 颜色: 白色、黑色
Color: White, Black
- ▶ 材质: POM+铁片
Material: POM+Iron sheet



D-42

- ▶ 门吸反弹器
Door bouncer
- ▶ 颜色: 白色、黑色、棕色
Color: White, Black, Brown
- ▶ 安装方式: 明装
Installation mode:
Plain clothes



D-43

- ▶ 门吸双反弹器
Door suction double bouncer
- ▶ 颜色: 白色、黑色、棕色
Color: White, Black, Brown
- ▶ 安装方式: 明装
Installation mode:
Plain clothes



D-44

- ▶ 单碰细号反弹器
Single touch fine size rebounder
- ▶ 颜色: 白色、黑色、棕色
Color: White, Black, Brown
- ▶ 材质: ABS+铁片
Material: ABS+Iron sheet



D-48

- ▶ 重型柜吸
Heavy duty cabinet suction
- ▶ 颜色: 白色、黑色
Color: White, Black
- ▶ 材质: POM
Material: POM



D-49

- ▶ 隐形柜吸
Invisible cabinet suction
- ▶ 颜色: 拉丝银、黑色
Color: Brushed Silver, Black
- ▶ 材质: 铁+磁石
Material: Iron+Magnet



D-50

- ▶ L型隐形柜吸
L-shaped invisible cabinet suction
- ▶ 颜色: 拉丝银、黑色
Color: Brushed Silver, Black
- ▶ 材质: 铁+磁石
Material: Iron+Magnet



D-51

- ▶ 不锈钢柜吸 (45)
Stainless steel cabinet suction (45)
- ▶ 材质: 不锈钢+铁
Material: Stainless steel+Iron



D-52

- ▶ 不锈钢细号柜吸 (55)
Stainless steel fine gauge cabinet suction (55)
- ▶ 材质: 不锈钢+铁
Material: Stainless steel+Iron



D-53

- ▶ 不锈钢中号柜吸 (75)
Stainless steel medium cabinet suction (75)
- ▶ 材质: 不锈钢+铁
Material: Stainless steel+Iron



D-54

- ▶ 不锈钢大号柜吸 (95)
Stainless steel large cabinet suction (95)
- ▶ 材质: 不锈钢+铁
Material: Stainless steel+Iron



D-55

- ▶ 普通吊码
Ordinary hanging code
- ▶ 颜色: 米黄色、白色
Color: Beige, White
- ▶ 材质: ABS/ PP
Material: ABS/ PP



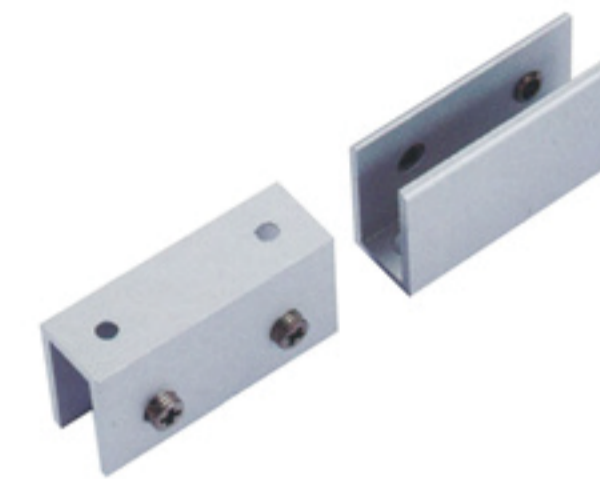
D-56

- ▶ 出口装吊码
Export loading hanging code
- ▶ 颜色: 灰色
Color: Gray
- ▶ 材质: ABS
Material: ABS



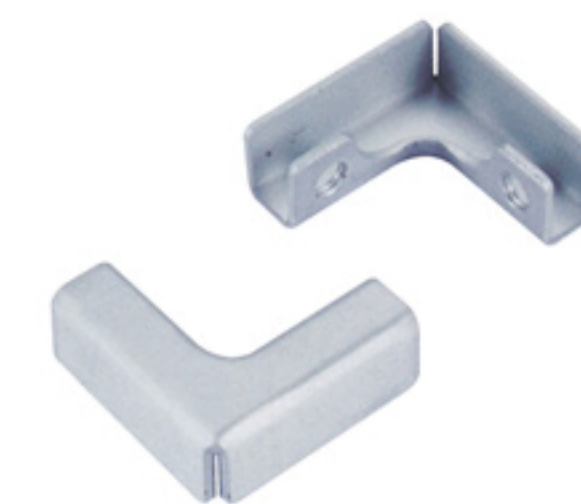
D-57

- ▶ 厚装吊码
Heavy load hanging code
- ▶ 颜色: 白锌
Color: White zinc
- ▶ 材质: ABS/ 碳钢
Material: ABS/ Carbon steel



D-58

- ▶ 一字
One word
- ▶ 颜色: 哑光拉丝
Color: Matte drawing
- ▶ 材质: 锌合金
Material: Zinc alloy



D-59

- ▶ L型
Type L
- ▶ 颜色: 哑光拉丝
Color: Matte drawing
- ▶ 材质: 锌合金
Material: Zinc alloy



D-60

- ▶ T型
Type T
- ▶ 颜色: 哑光拉丝
Color: Matte drawing
- ▶ 材质: 锌合金
Material: Zinc alloy
- ▶ 规格/Size: 3-7、8-10、10-12



D-61

- ▶ 索菲亚铝合金款衣管托
Sophia aluminum alloy garment support
- ▶ 颜色: 电镀拉丝、喷漆香槟金、喷漆黑色
Color: Electroplating wire drawing, spray-painted champagne gold, spray-painted black
- ▶ 材质: 铝合金座+塑料盖
Material: Aluminum alloy base + plastic cover



D-62

- ▶ 索菲亚铁款衣管托
Sophia iron garment support
- ▶ 颜色: 电镀拉丝、喷漆香槟金、喷漆黑色
Color: Electroplating wire drawing, spray-painted champagne gold, spray-painted black
- ▶ 材质: 铁座+塑料盖
Material: Iron seat + plastic cover



D-63

- ▶ 230#悬浮支架
230# Suspension support
- ▶ 颜色: 砂黑
Color: Sand black
- ▶ 材质: 碳钢
Material: Carbon Steel



D-64

- ▶ 320#悬浮支架
320# Suspension support
- ▶ 颜色: 砂黑
Color: Sand black
- ▶ 材质: 碳钢
Material: Carbon Steel



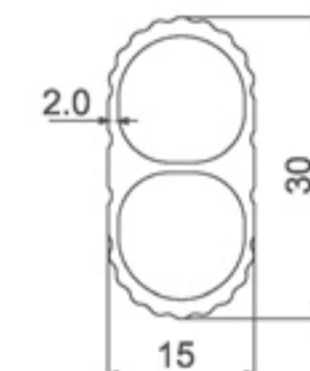
D-65

- ▶ 450#悬浮支架
450# Suspension support
- ▶ 颜色: 砂黑
Color: Sand black
- ▶ 材质: 碳钢
Material: Carbon Steel



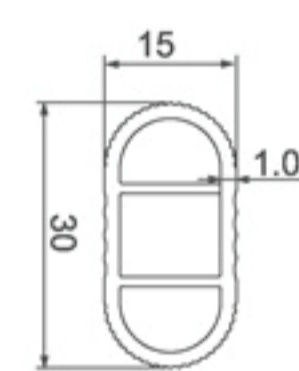
D-69

- ▶ 衣杆铝材
Wardrobe rod aluminium
- ▶ 颜色: 银白
Color: Silvery white
- ▶ 厚度/Thickness: 2.0mm
- ▶ 材质: 铝
Material: Aluminum



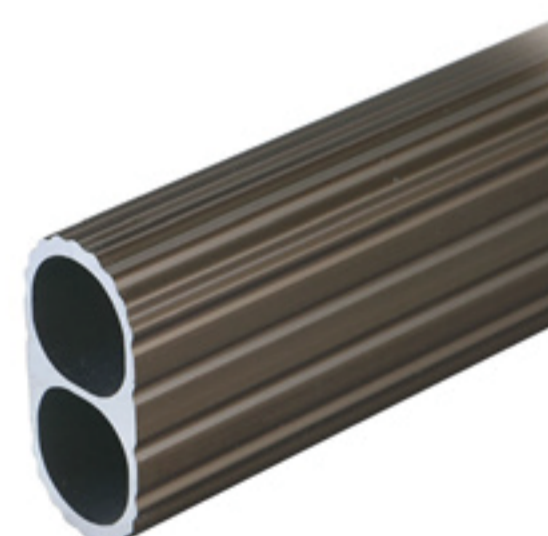
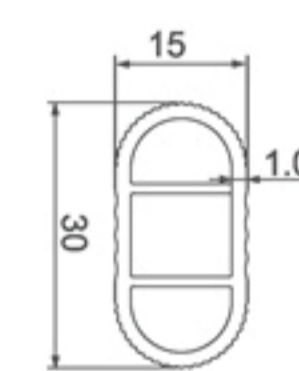
D-70

- ▶ 衣杆铝材
Wardrobe rod aluminium
- ▶ 颜色: 电泳香槟
Color: Electrophoretic champagne
- ▶ 厚度/Thickness: 1.0mm
- ▶ 材质: 铝
Material: Aluminum



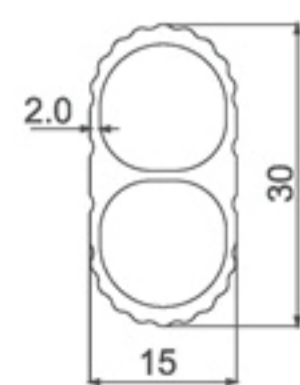
D-71

- ▶ 衣杆铝材
Wardrobe rod aluminium
- ▶ 颜色: 银白
Color: Silvery white
- ▶ 厚度/Thickness: 1.0mm
- ▶ 材质: 铝
Material: Aluminum



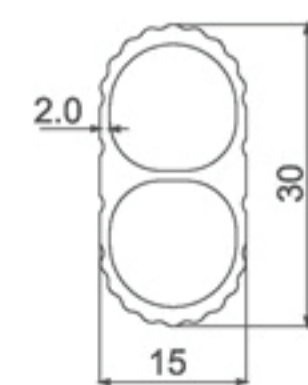
D-66

- ▶ 衣杆铝材
Wardrobe rod aluminium
- ▶ 颜色: 电泳香槟
Color: Electrophoretic champagne
- ▶ 厚度/Thickness: 2.0mm
- ▶ 材质: 铝
Material: Aluminum



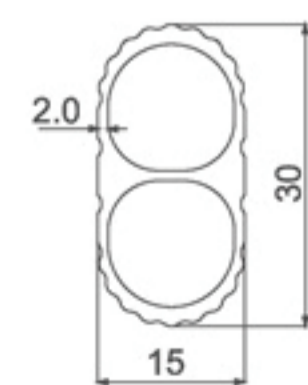
D-67

- ▶ 衣杆铝材
Wardrobe rod aluminium
- ▶ 颜色: 电泳香槟
Color: Electrophoretic gold
- ▶ 厚度/Thickness: 2.0mm
- ▶ 材质: 铝
Material: Aluminum



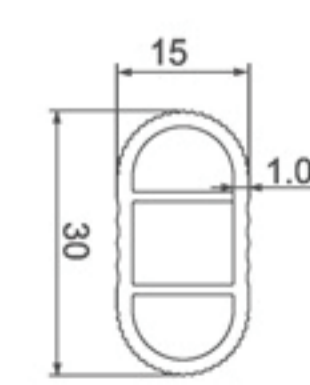
D-68

- ▶ 衣杆铝材
Wardrobe rod aluminium
- ▶ 颜色: 砂黑
Color: Sand black
- ▶ 厚度/Thickness: 2.0mm
- ▶ 材质: 铝
Material: Aluminum



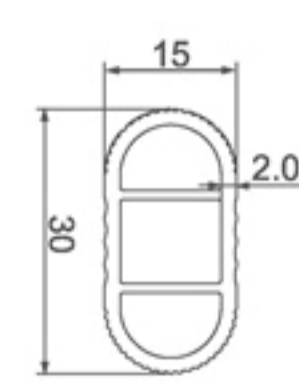
D-72

- ▶ 衣杆铝材
Wardrobe rod aluminium
- ▶ 颜色: 砂黑
Color: Sand black
- ▶ 厚度/Thickness: 1.0mm
- ▶ 材质: 铝
Material: Aluminum



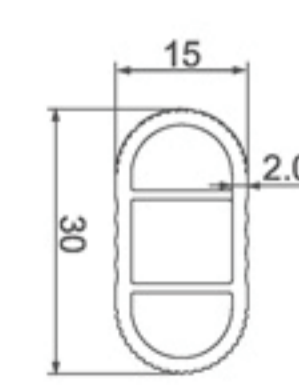
D-73

- ▶ 衣杆铝材
Wardrobe rod aluminium
- ▶ 表面处理: 电泳香槟
Color: Electrophoretic champagne
- ▶ 厚度/Thickness: 2.0mm
- ▶ 材质: 铝
Material: Aluminum



D-74

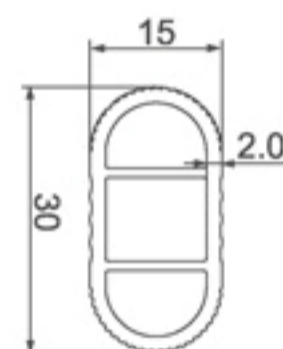
- ▶ 衣杆铝材
Wardrobe rod aluminium
- ▶ 颜色: 砂金
Color: Placer gold
- ▶ 厚度/Thickness: 2.0mm
- ▶ 材质: 铝
Material: Aluminum





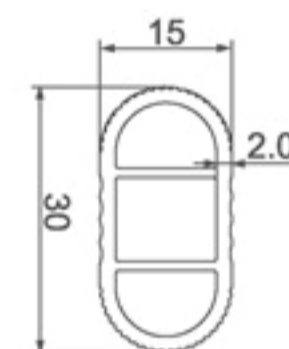
D-75

- ▶ 衣杆铝材
Wardrobe rod aluminium
- ▶ 颜色: 喷砂黑
Color: Sandblasting black
- ▶ 厚度/Thickness: 2.0mm
- ▶ 材质: 铝
Material: Aluminum



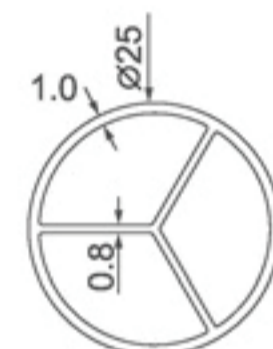
D-76

- ▶ 衣杆铝材
Wardrobe rod aluminium
- ▶ 颜色: 砂银
Color: Silver sand
- ▶ 厚度/Thickness: 2.0mm
- ▶ 材质: 铝
Material: Aluminum



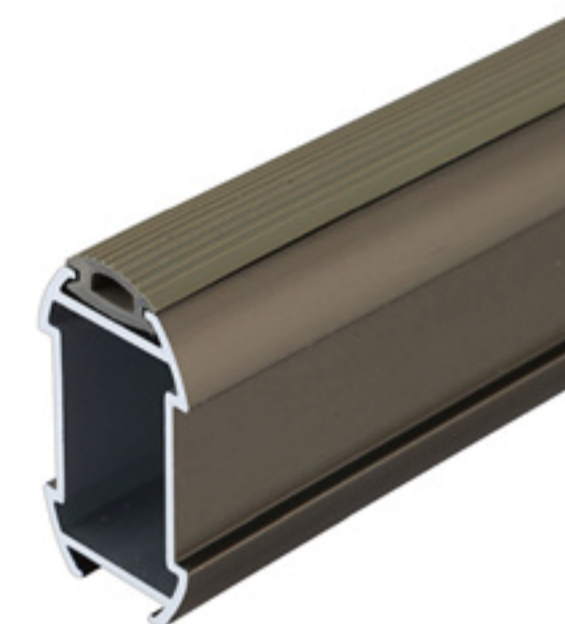
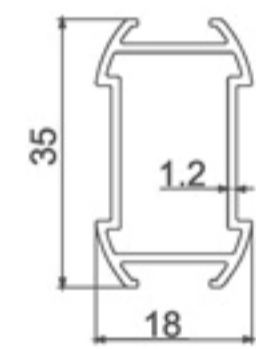
D-77

- ▶ 衣杆铝材
Wardrobe rod aluminium
- ▶ 颜色: 电泳香槟
Color: Electrophoretic champagne
- ▶ 厚度/Thickness: 1.0mm
- ▶ 材质: 铝
Material: Aluminum



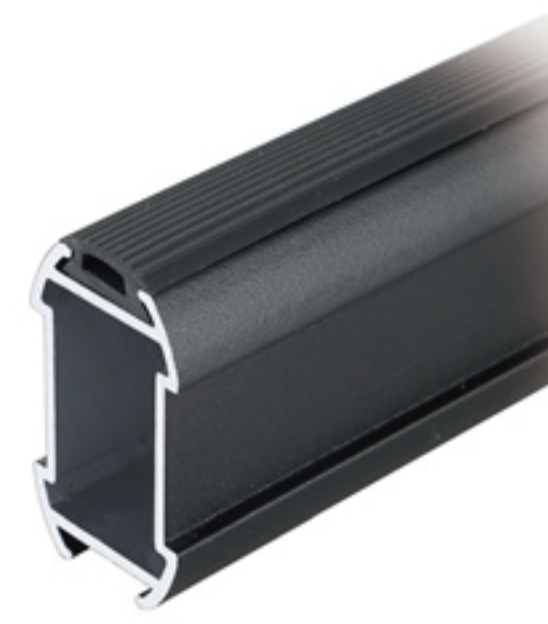
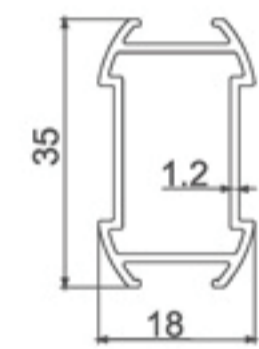
D-81

- ▶ 衣杆铝材
Wardrobe rod aluminium
- ▶ 颜色: 砂香槟
Color: Sand champagne
- ▶ 厚度/Thickness: 1.2mm
- ▶ 材质: 铝
Material: Aluminum



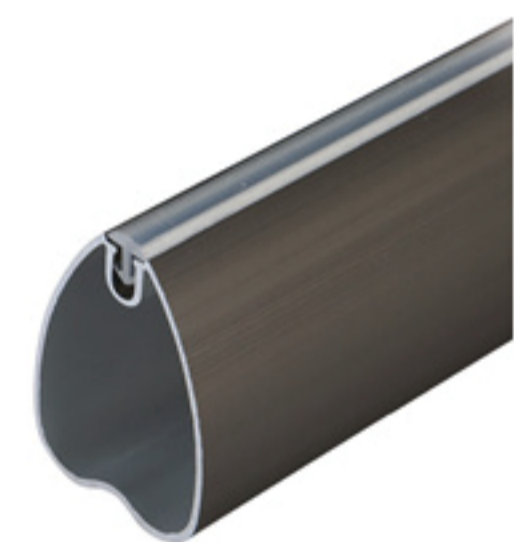
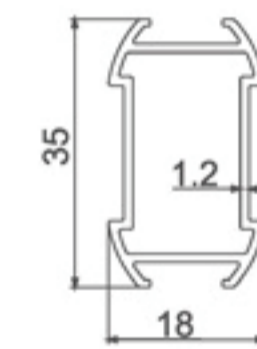
D-82

- ▶ 衣杆铝材
Wardrobe rod aluminium
- ▶ 颜色: 哑香槟
Color: Dumb Champagne
- ▶ 厚度/Thickness: 1.2mm
- ▶ 材质: 铝
Material: Aluminum



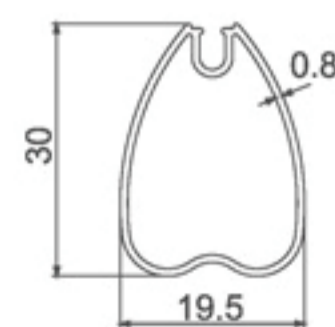
D-83

- ▶ 衣杆铝材
Wardrobe rod aluminium
- ▶ 颜色: 喷砂黑
Color: Sandblasting black
- ▶ 厚度/Thickness: 1.2mm
- ▶ 材质: 铝
Material: Aluminum



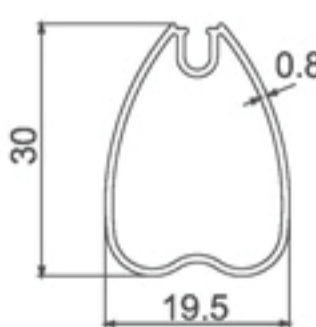
D-78

- ▶ 衣杆铝材
Wardrobe rod aluminium
- ▶ 颜色: 香槟拉丝
Color: Champagne drawing
- ▶ 厚度/Thickness: 0.8mm
- ▶ 材质: 铝
Material: Aluminum



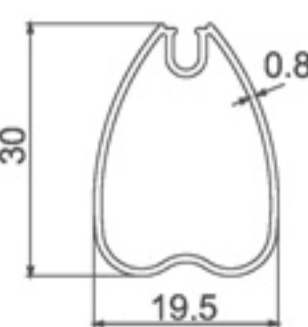
D-79

- ▶ 衣杆铝材
Wardrobe rod aluminium
- ▶ 颜色: 磨砂黑
Color: Frosted black
- ▶ 厚度/Thickness: 0.8mm
- ▶ 材质: 铝
Material: Aluminum



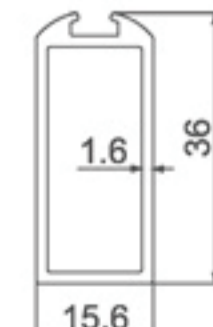
D-80

- ▶ 衣杆铝材
Wardrobe rod aluminium
- ▶ 颜色: 哑香槟
Color: Dumb Champagne
- ▶ 厚度/Thickness: 0.8mm
- ▶ 材质: 铝
Material: Aluminum



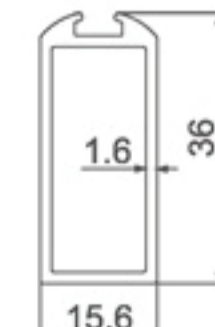
D-84

- ▶ 衣杆铝材
Wardrobe rod aluminium
- ▶ 颜色: 喷砂灰
Color: Sandblast ash
- ▶ 厚度/Thickness: 1.6mm
- ▶ 材质: 铝
Material: Aluminum



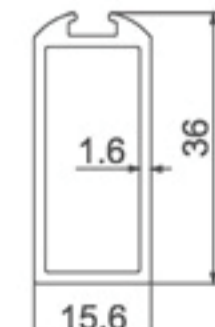
D-85

- ▶ 衣杆铝材
Wardrobe rod aluminium
- ▶ 颜色: 喷砂黑
Color: Sandblasting black
- ▶ 厚度/Thickness: 1.6mm
- ▶ 材质: 铝
Material: Aluminum



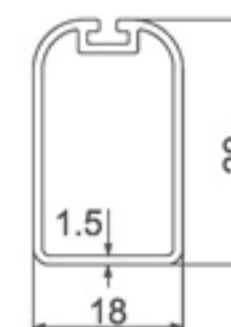
D-86

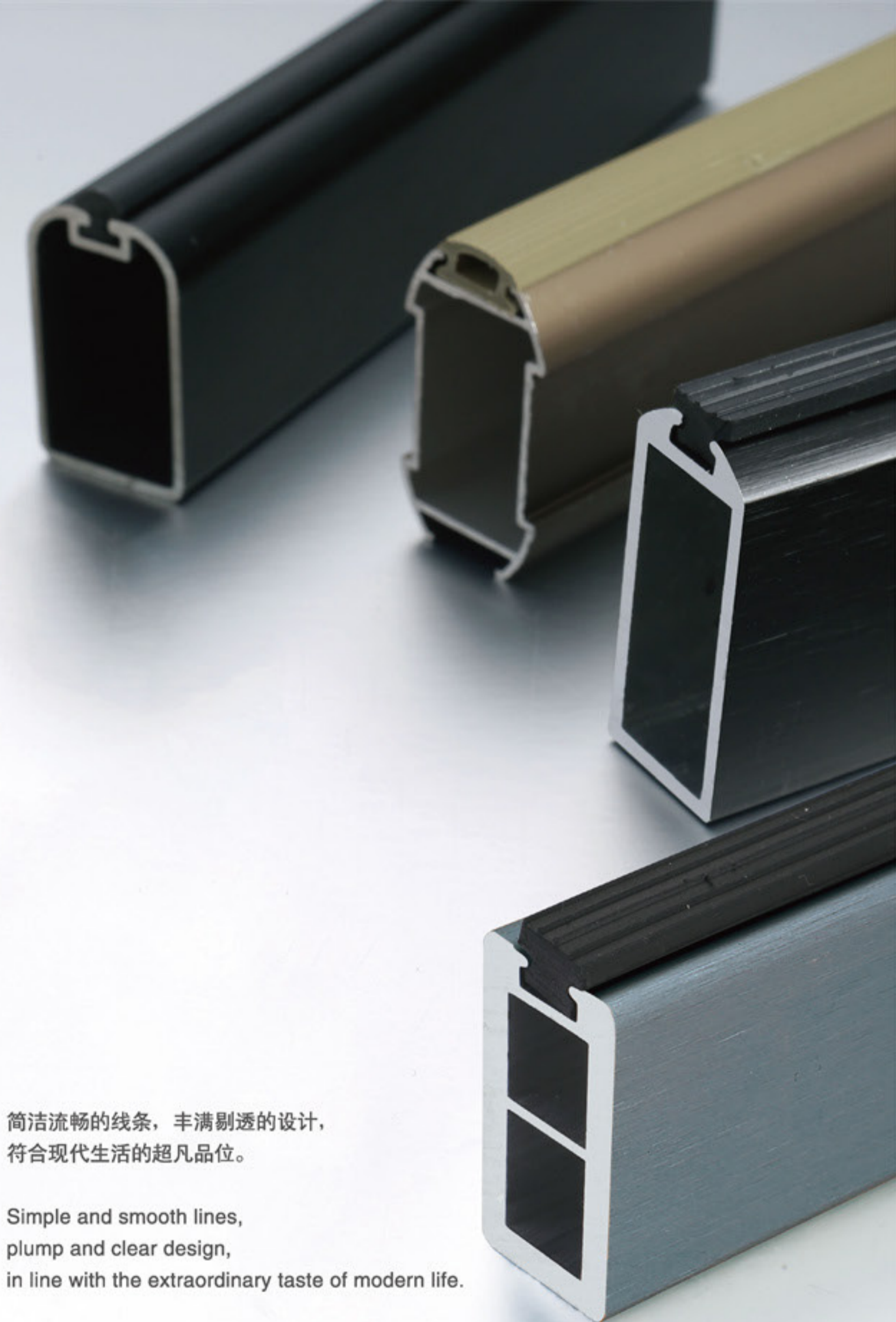
- ▶ 衣杆铝材
Wardrobe rod aluminium
- ▶ 颜色: 拉丝黑
Color: Drawing black
- ▶ 厚度/Thickness: 1.6mm
- ▶ 材质: 铝
Material: Aluminum



D-87

- ▶ 衣杆铝材
Wardrobe rod aluminium
- ▶ 颜色: 深咖啡色
Color: Dark Brown
- ▶ 厚度/Thickness: 1.5mm
- ▶ 材质: 铝
Material: Aluminum

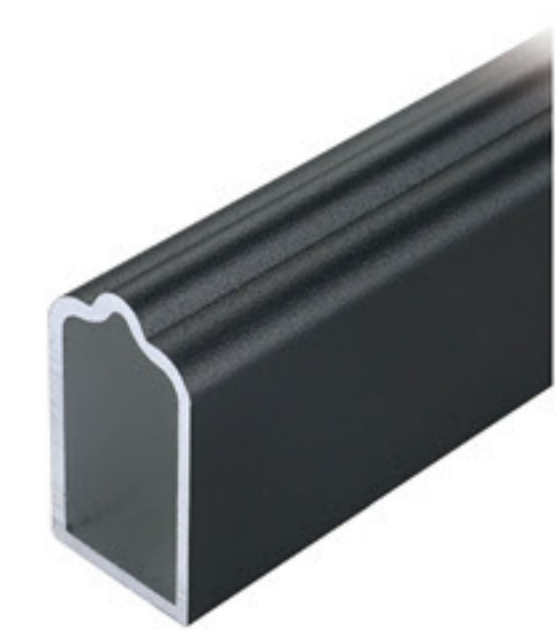




简洁流畅的线条，丰满剔透的设计，
符合现代生活的超凡品位。

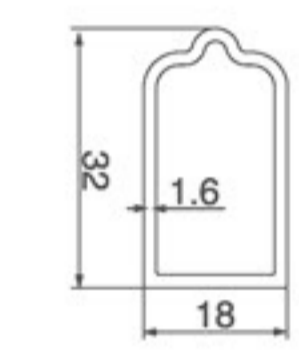
Simple and smooth lines,
plump and clear design,
in line with the extraordinary taste of modern life.

Wardrobe Rod Aluminium



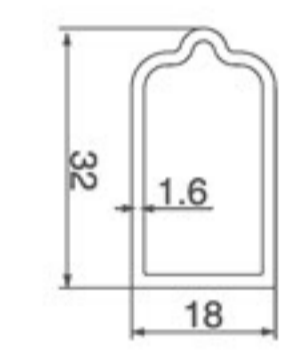
D-88

▶衣杆铝材
Wardrobe rod aluminium
▶颜色: 喷砂黑
Color: Sandblasting black
▶厚度/Thickness: 1.6mm
▶材质: 铝
Material: Aluminum



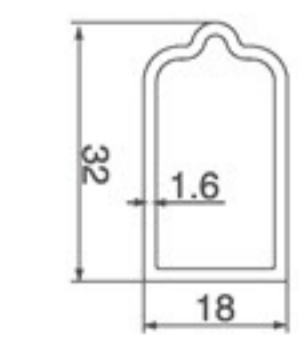
D-89

▶衣杆铝材
Wardrobe rod aluminium
▶颜色: 哑金拉丝
Color: Dumb gold drawing
▶厚度/Thickness: 1.6mm
▶材质: 铝
Material: Aluminum



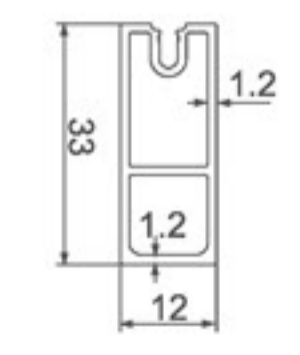
D-90

▶衣杆铝材
Wardrobe rod aluminium
▶颜色: 铁灰
Color: Iron ash
▶厚度/Thickness: 1.6mm
▶材质: 铝
Material: Aluminum



D-91

▶衣杆铝材
Wardrobe rod aluminium
▶颜色: 喷砂黑
Color: Sandblasting black
▶厚度/Thickness: 1.2mm
▶材质: 铝
Material: Aluminum



银色
D-92



金色
D-93



古铜
D-94



金色
D-95



古铜
D-96



金色
D-97



古铜
D-98



银色
D-99



黑色
D-100



银色
D-101



黑色
D-102



青古铜
D-103



古铜
D-104



银色
D-105



香槟
D-106



黑色
D-107



喷砂黑
D-108



香槟
D-109



香槟
D-110



砂银
D-111

