

本目录各项产品因印刷及摄影之故,与实物可能有所差异,请事先了解。  
本目录所有产品,以实物为准,如有更改,恕不另行通知。  
本目录版权所有,翻版必究

Please be aware that all colors of the articles listed in the catalogue may differ from that of the real objects due to photography and printing process.  
All articles listed in the catalogue are subject to the objects, should any change, correction and alteration on them be occurred, please be noted that it should not be our obligation to inform you of it.  
All rights reserved, no copy allowed.

**KESSY** Construction Hardware Specialist  
科希·建筑五金



## 温州科希五金制品有限公司

WENZHOU KESSY HARDWARE CO.,LTD

地址：浙江省温州市永嘉县桥下镇垟湾工业区  
Yangwan Industry District, Qiaoxia Town, Yongjia County, Wenzhou City, Zhejiang  
Tel: +86-577-67157119  
Fax: +86-577-66967163  
Email: info@kessy.hk  
Web: www.kessyhardware.com



科希创造艺术品  
KESSY MAKE ARTWORK

# KESSY MAKE ARTWORK

科希创造艺术品

Fashionable life can not leave amalgamation of culture and participation of art,when you sight the inspiration exists every where of life,you can find that the sapidity of life and the strong and pervasive fragrance are spread everywhere.

时尚的生活总离不开文化的融入和艺术的参与，阅读生命无处不在的感动，只要用心去发现，生活的味道，馨香的感觉处处充盈。





# KESSY

Construction Hardware Specialist

## 公司简介

### ABOUT KESSY

科希五金是一家致力于建筑五金研发，制造和销售的专业性企业。公司全面通过和推行 ISO9001, ISO14001 认证体系管理标准，拥有门窗五金、家具五金以及相关定制五金配件系统生产基地。

秉承“诚信”和“专业”的经营理念，惟其诚信才能立足，惟其专业才能竞争，科希采用国际先进生产工艺、一流的管理团队、完善的质检体系，确保所有产品质量和性能都达到国际先进水平。

科希一直努力践行着“科希创造艺术品”的企业使命，以技术创新为己任，通过不断的提升和持续的进步，塑造行业标杆，创建世界品牌。

KESSY Hardware, an innovative and professional company engaged in research, development, manufacture, and marketing of architectural hardware. KESSY has been fully qualified for implementation of ISO9001, ISO14001, with the system factory for door & window hardware, furniture hardware, and related custom made hardware.

Adhering to the "integrity" and "professional" business philosophy, KESSY adopt advanced integrated manufacturing process together with discipline and stringent QC processes, now able to control every stage of production and ensure consistently high quality.

KESSY MAKE ARTWORK, fulfilling this company mission, KESSY take the technical innovation as the responsibility, through unceasing enhancement and the continuous progress, strive to become the leader of architectural hardware industry and famous all over the world.



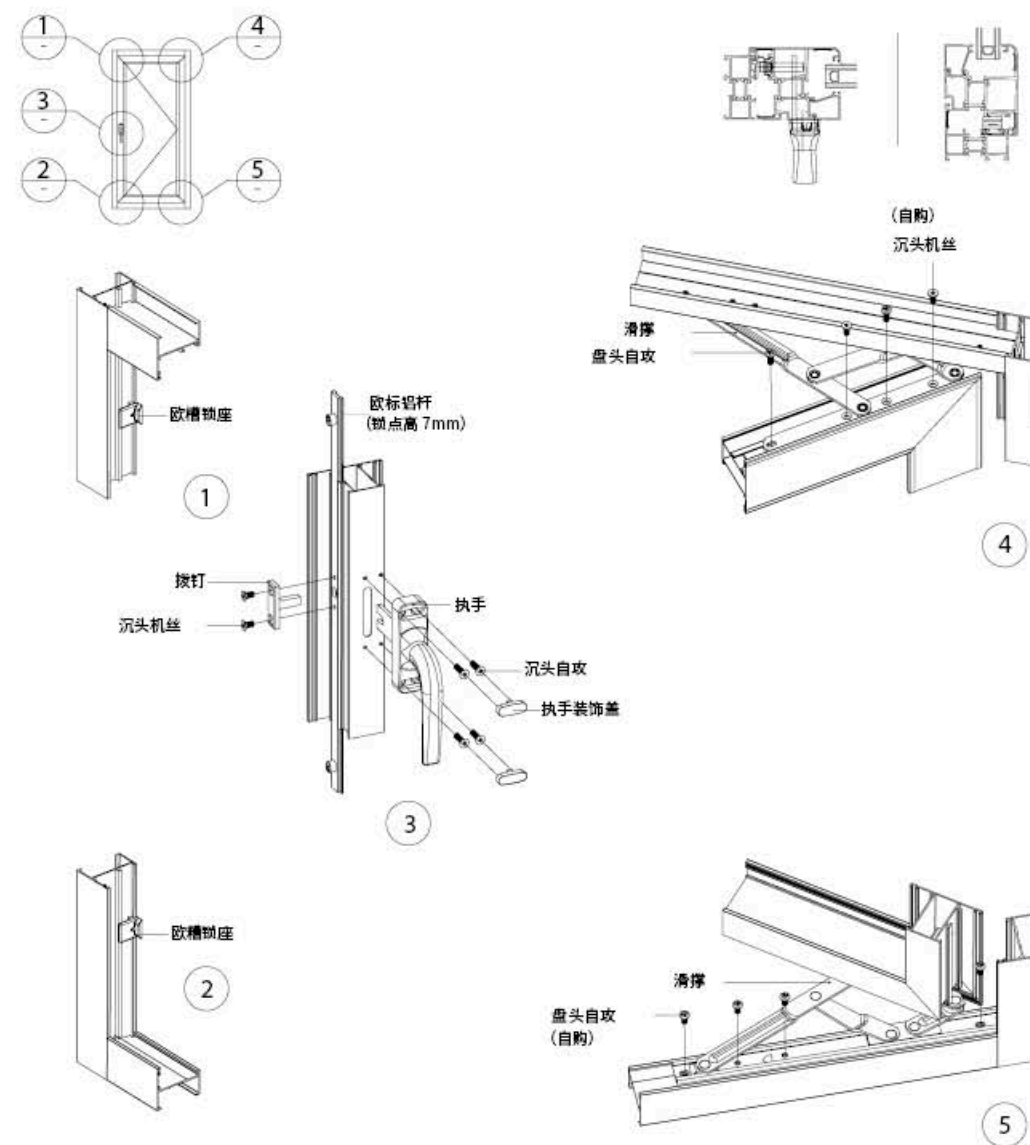
# DOOR AND WINDOW SYSTEM SERIES

## 门窗系统系列



### 外平开窗安装示意图

Schematic diagram of the installation of external flat window



#### 欧标外平开窗五金系统特性:

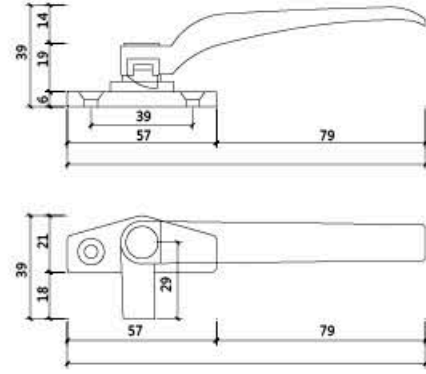
- 1、本产品适用于隔热与非隔热的欧标 20 槽口铝型材。
- 2、不需要破坏外部胶条，窗户的密封性更好。
- 3、可以控制窗户的最大开启角度。。
- 4、平开滑撑结构严谨，开启力小，采用优质的不锈钢 304 材质，耐用性更强。
- 5、执手外观一般可根据客户的需求来选择，但具体需结合与铝型材的配套。
- 6、五金件、胶条与型材等完美的结合，使窗户的各个性能更好。

#### The characteristics of the hardware system of the external window of the European standard:

- 1.This product is suitable for heat insulation and heat insulation of the non European standard 20 slot aluminum profile.
2. Do not need to break the external glue, the window of the better sealing.
3. Can control the maximum angle of opening the window.
4. Flat open sliding support structure is rigorous, open the force is small, the use of high-quality stainless steel 304 material, more durable.
5. Handle the general appearance according to the needs of customers to choose, but the specific combination of aluminum section and supporting.
6. metal parts, rubber and plastic materials, such as the perfect combination, so that the performance of the window better.

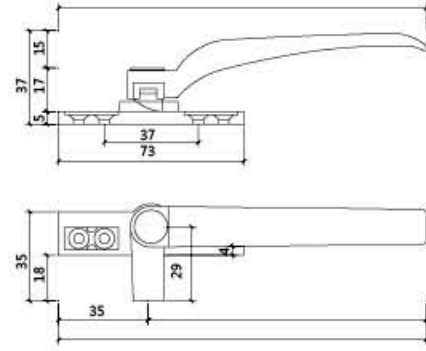
**CZS-01**

窗执手 Window handle



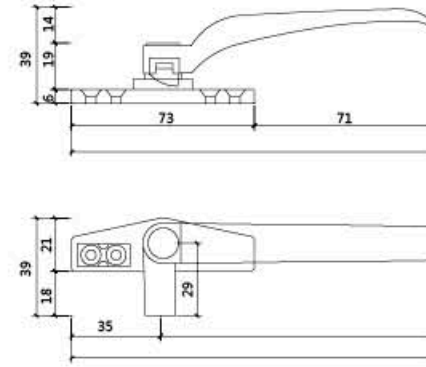
**CZS-02**

窗执手 Window handle



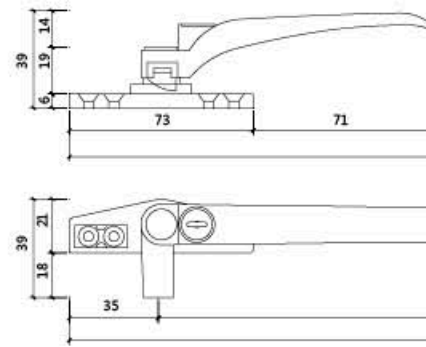
**CZS-03**

窗执手 Window handle



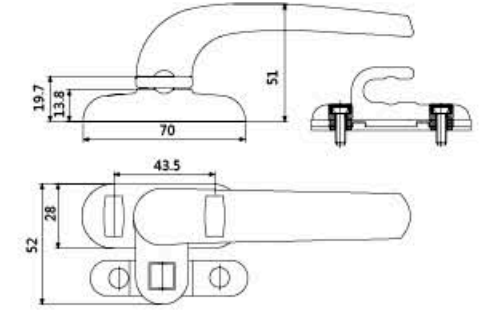
**CZS-04**

窗执手 Window handle



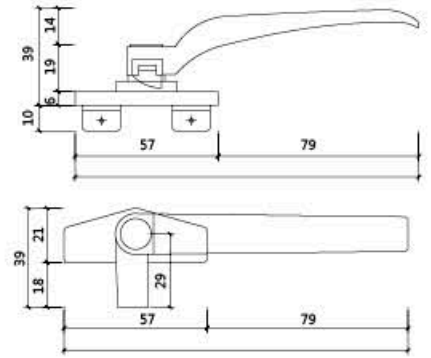
**CZS-05**

窗执手 Window handle



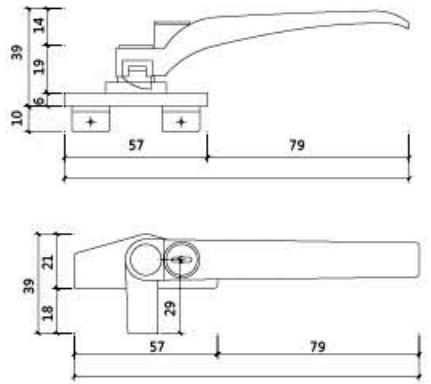
**CZS-06**

窗执手 Window handle



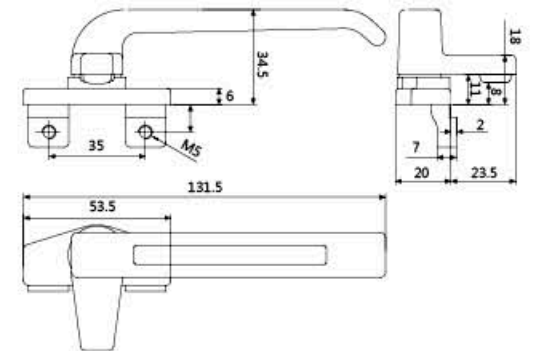
**CZS-07**

窗执手 Window handle



**CZS-08**

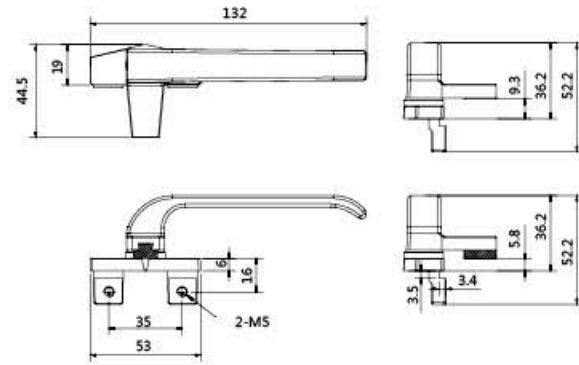
窗执手 Window handle





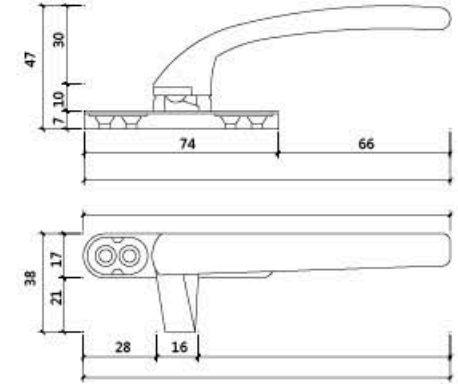
**CZS-09**

窗执手 Window handle



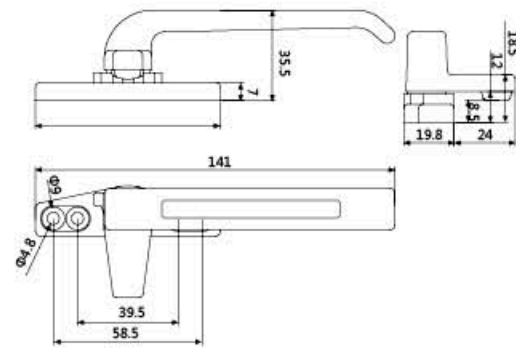
**CZS-13**

窗执手 Window handle



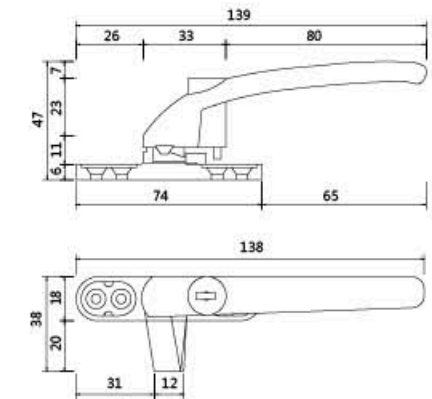
**CZS-10**

窗执手 Window handle



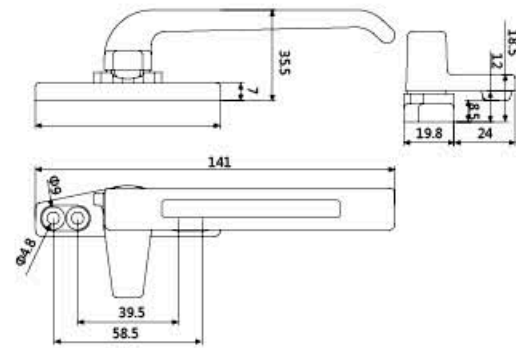
**CZS-14**

窗执手 Window handle



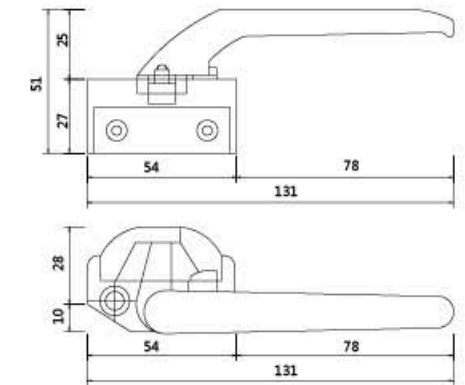
**CZS-11**

窗执手 Window handle



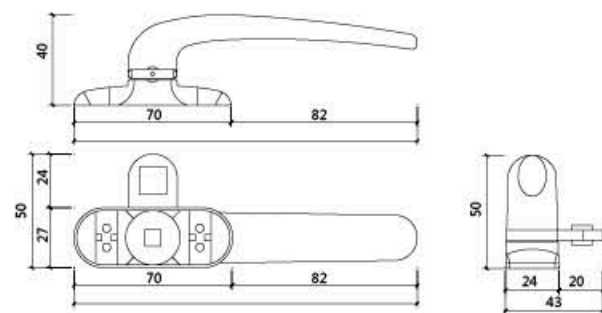
**CZS-15**

窗执手 Window handle



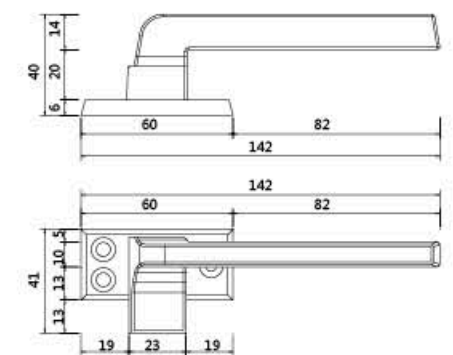
**CZS-12**

窗执手 Window handle



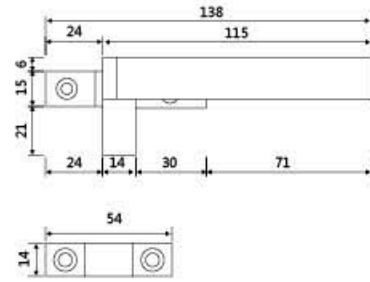
**CZS-16**

窗执手 Window handle



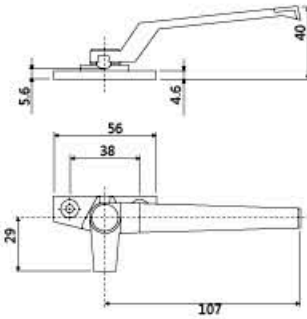
**CZS-17**

窗执手 Window handle



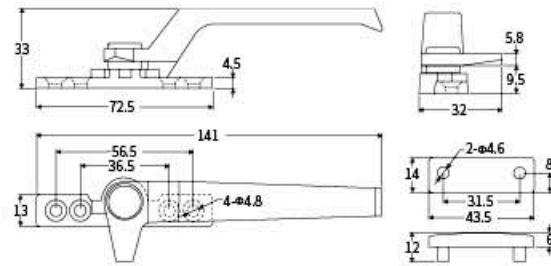
**CZS-18**

窗执手 Window handle



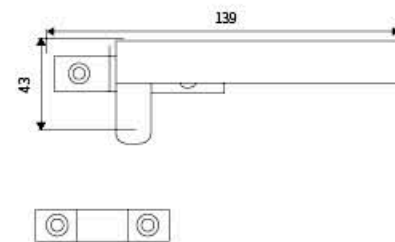
**CZS-19**

窗执手 Window handle



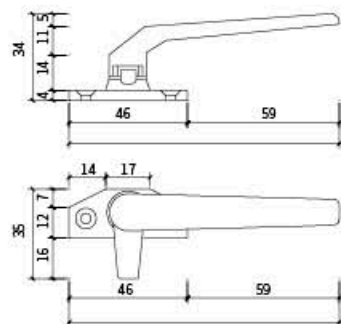
**CZS-20**

窗执手 Window handle



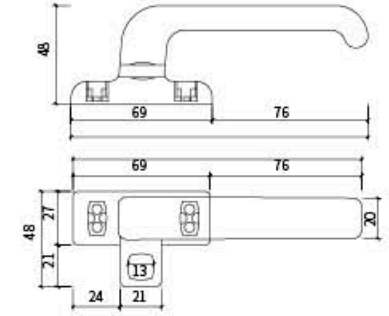
**CZS-21**

窗执手 Window handle



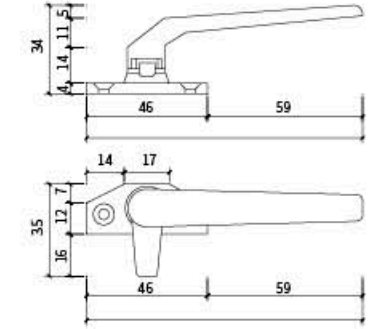
**CZS-22**

窗执手 Window handle



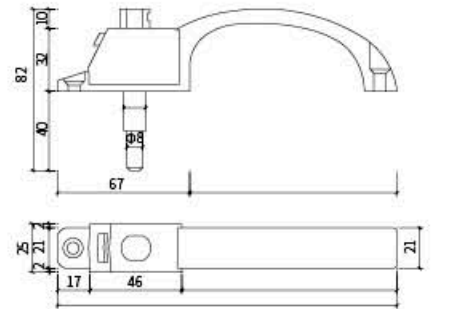
**CZS-23**

窗执手 Window handle



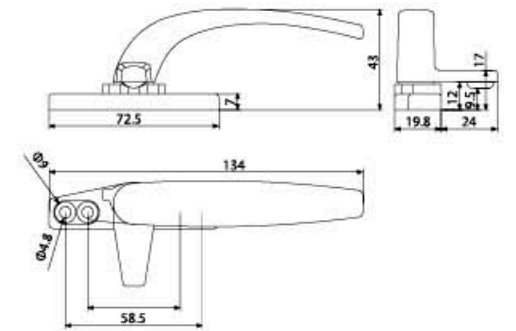
**CZS-24**

窗执手 Window handle



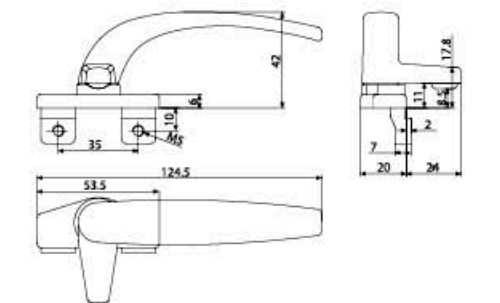
**CZS-26**

窗执手 Window handle



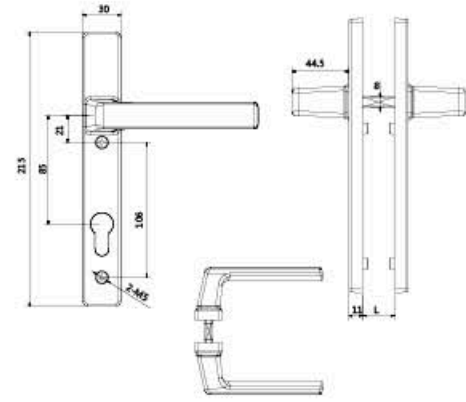
**CZS-27**

窗执手 Window handle



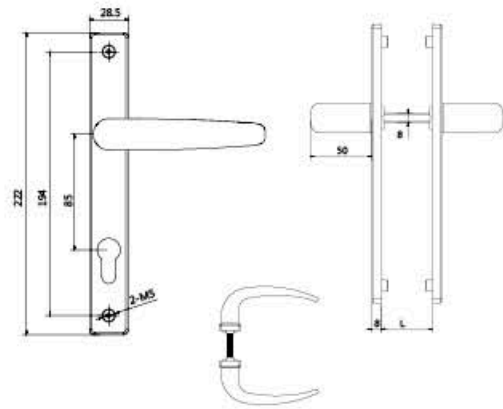
**MZS-01**

门把手 Door handle



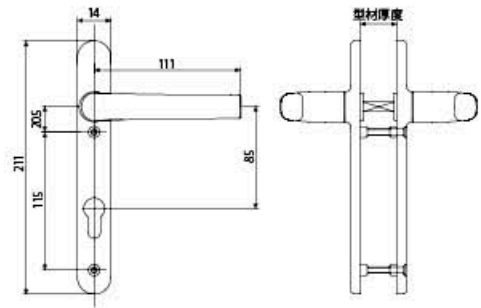
**MZS-02**

门把手 Door handle



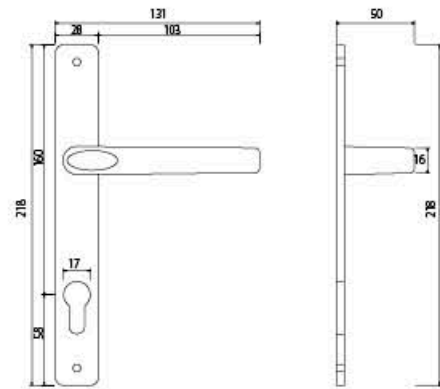
**MZS-03**

门把手 Door handle



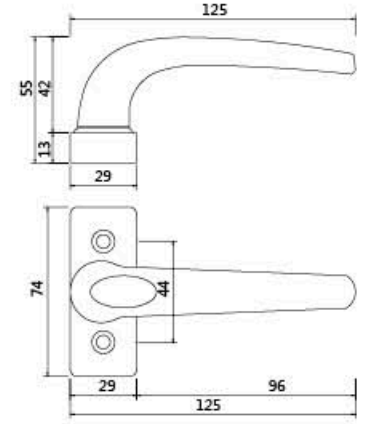
**MZS-04**

门把手 Door handle



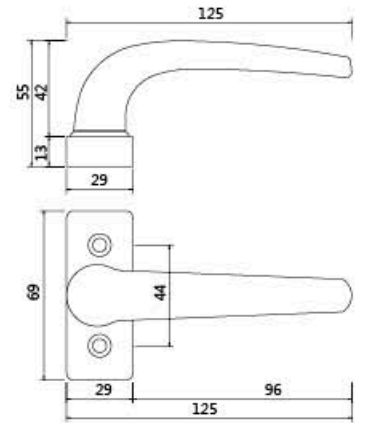
**MZS-05**

门把手 Door handle



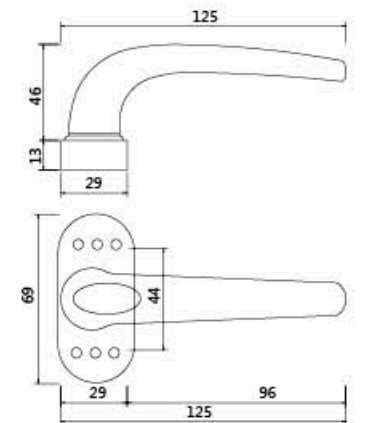
**MZS-06**

门把手 Door handle



**MZS-07**

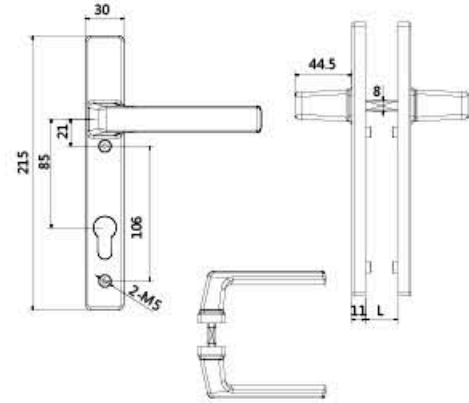
门把手 Door handle





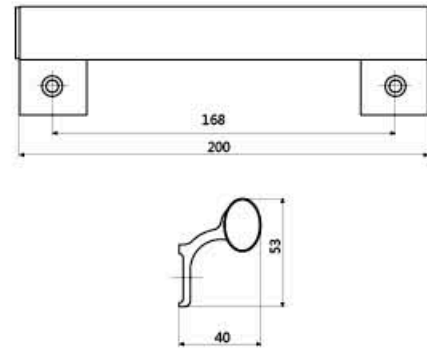
**MZS-08**

门扶手 Door handle



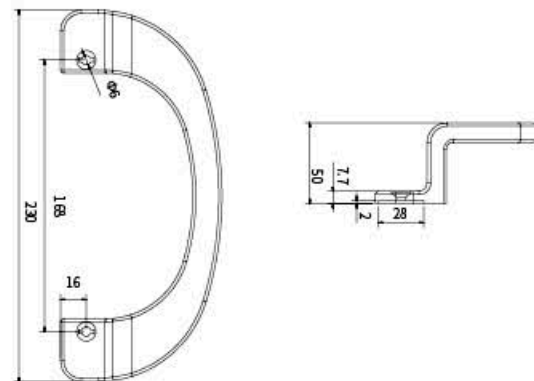
**MZS-09**

门扶手 Door handle



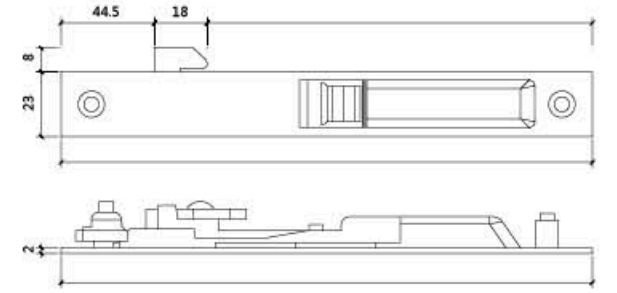
**MZS-10**

门扶手 Door handle



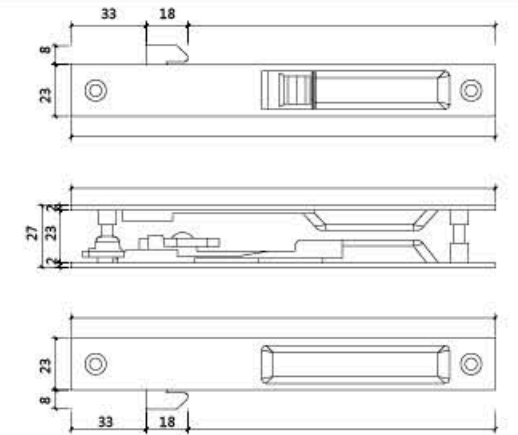
**CS-1**

推拉锁 Sliding lock



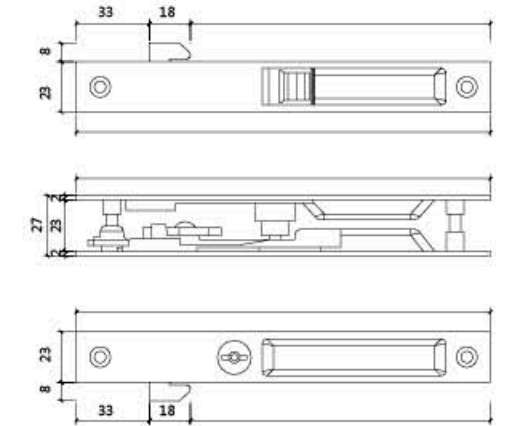
**CS-2**

推拉锁 Sliding lock



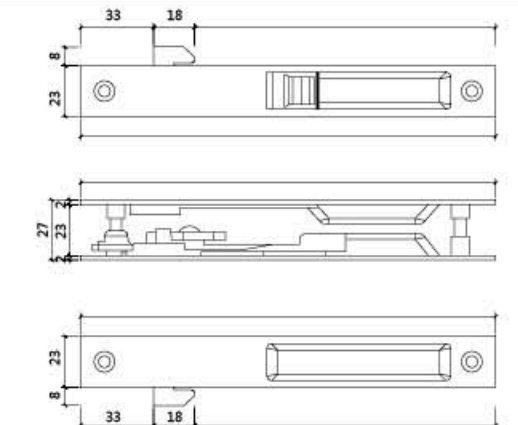
**CS-3**

推拉锁 Sliding lock

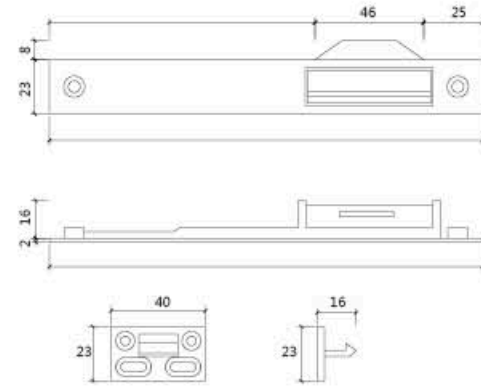


**CS-4**

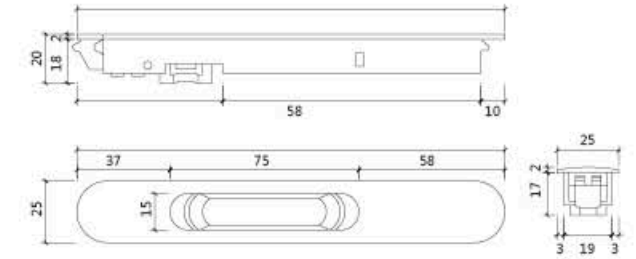
推拉锁 Sliding lock



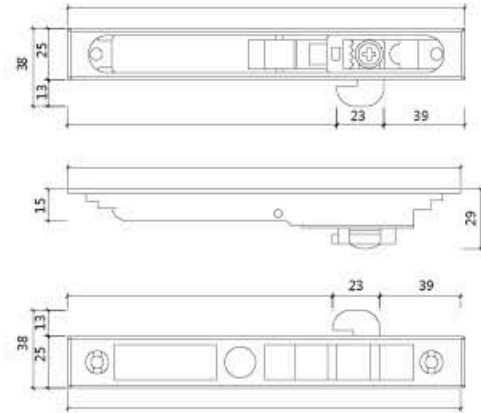
**CS-5**  
推拉锁 Sliding lock



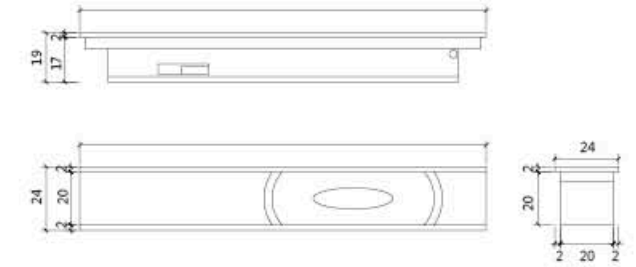
**CS-9**  
推拉锁 Sliding lock



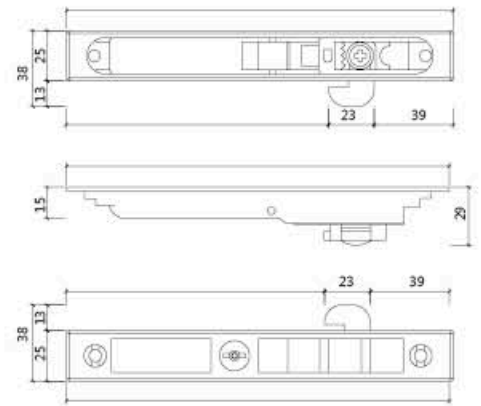
**CS-6**  
推拉锁 Sliding lock



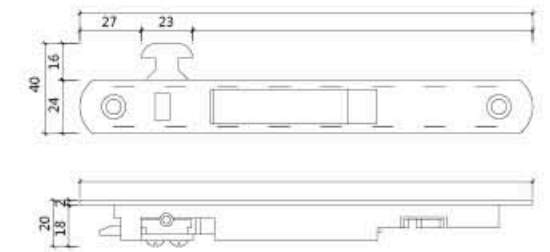
**CS-10**  
推拉锁 Sliding lock



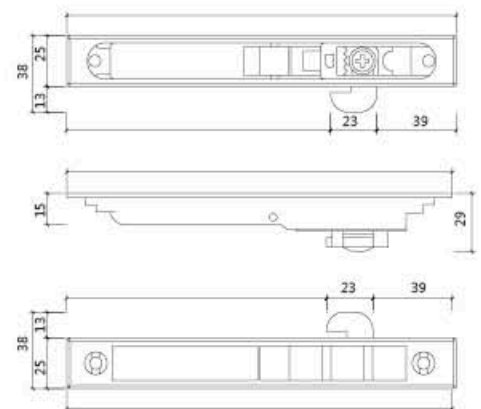
**CS-7**  
推拉锁 Sliding lock



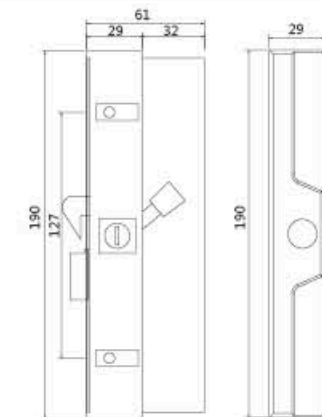
**CS-11**  
推拉锁 Sliding lock



**CS-8**  
执手 handling



**TLS190**  
推拉锁 Sliding lock





TLS201 LHAT deluxe single joint without key



TLS202 LHAT deluxe single joint without key



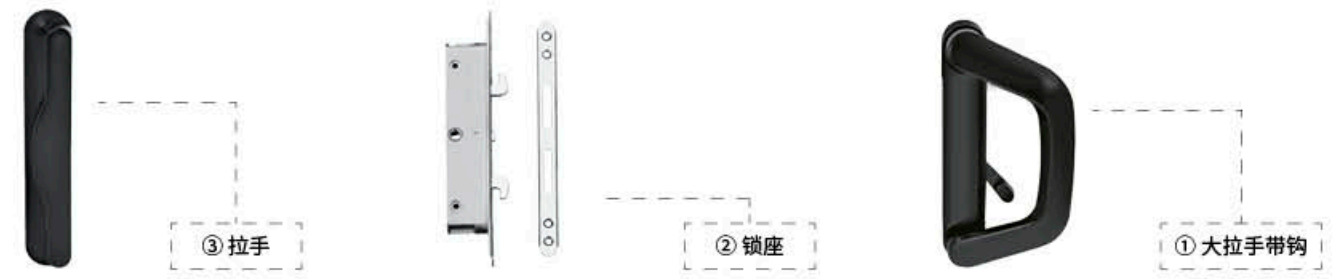
TLS203 LHAT deluxe single joint without key



TLS204 LHAT deluxe single joint without key



TLS205 LHBT deluxe butt joint without key



TLS206 LHBT deluxe butt joint with key



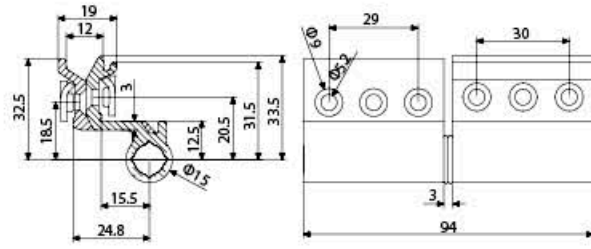
TLS207 LHBT deluxe butt joint with key



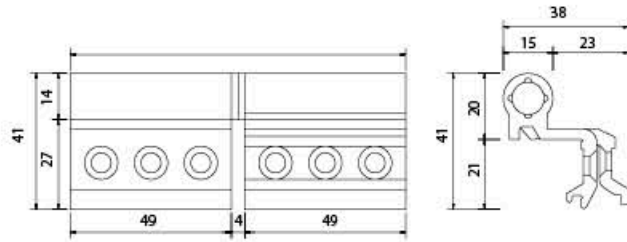
TLS208



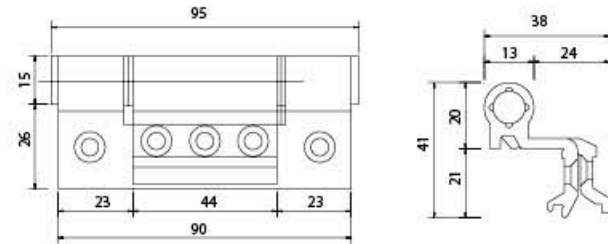
**HY-01**  
合页 Hinge



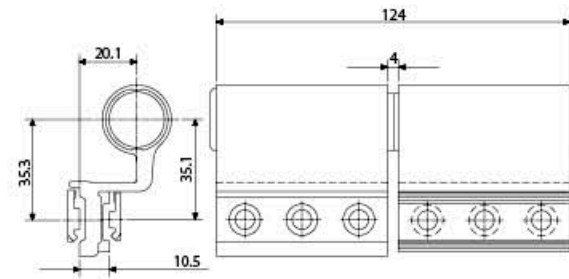
**HY-02**  
合页 Hinge



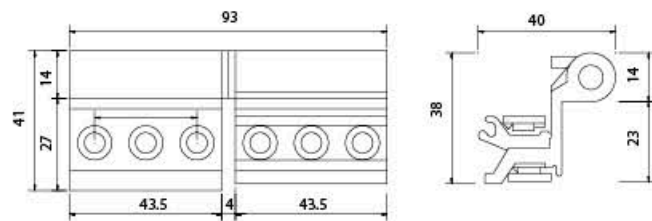
**HY-03**  
合页 Hinge



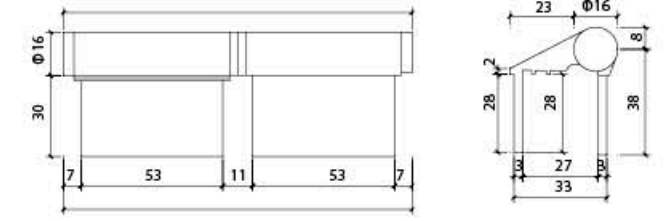
**HY-04**  
合页 Hinge



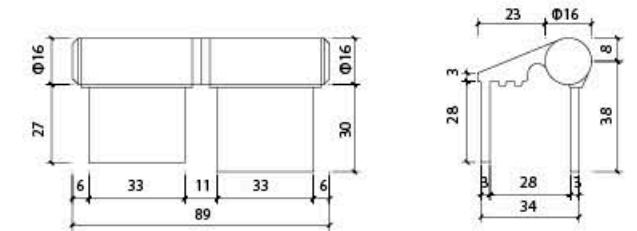
**HY-05**  
合页 Hinge



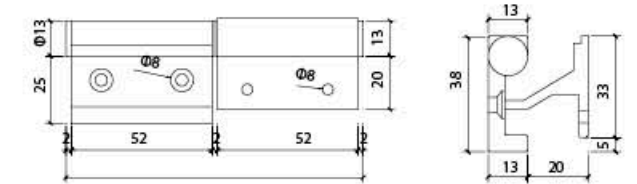
**HY-06**  
合页 Hinge



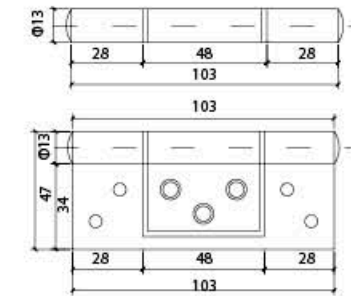
**HY-07**  
合页 Hinge



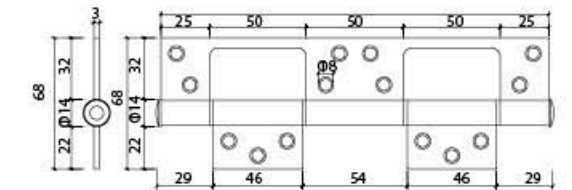
**HY-08**  
合页 Hinge



**HY-09**  
合页 Hinge



**HY-10**  
合页 Hinge





**W-01**  
滑轮 Pulley



**W-02**  
滑轮 Pulley



**W-09**  
滑轮 Pulley



**W-10**  
滑轮 Pulley



**W-03**  
滑轮 Pulley



**W-04**  
滑轮 Pulley



**W-11**  
滑轮 Pulley



**W-12**  
滑轮 Pulley



**W-05**  
滑轮 Pulley



**W-06**  
滑轮 Pulley



**W-13**  
滑轮 Pulley



**W-14**  
滑轮 Pulley



**W-07**  
滑轮 Pulley



**W-08**  
滑轮 Pulley



**W-15**  
滑轮 Pulley

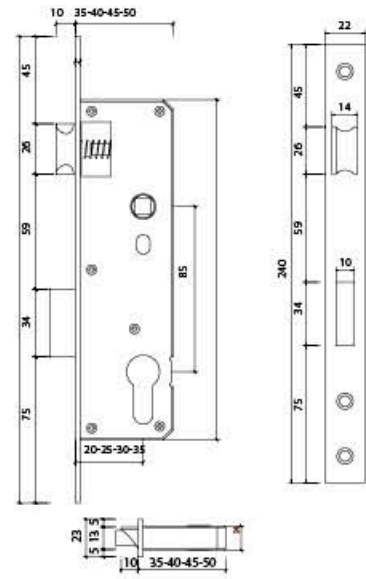


**W-16**  
滑轮 Pulley



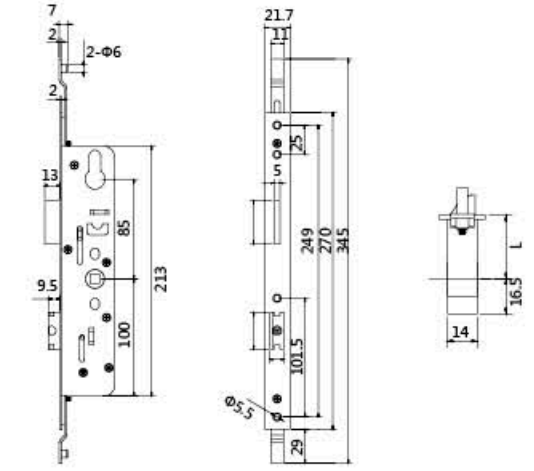
**85A**

锁体 Lock body



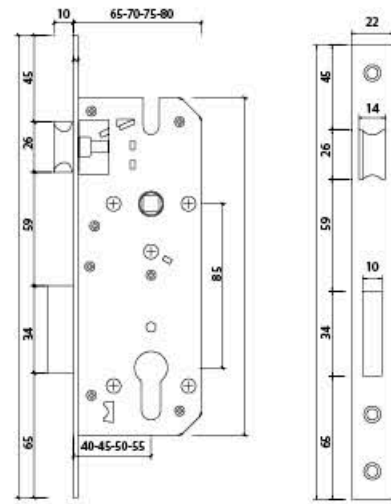
**85D**

锁体 Lock body



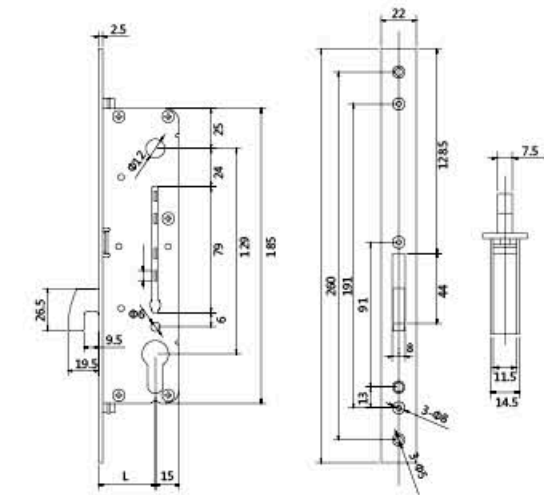
**85B**

锁体 Lock body



**85E**

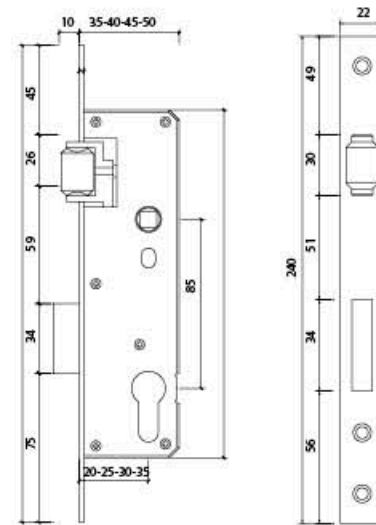
锁体 Lock body



L处长度：H3085，H3585

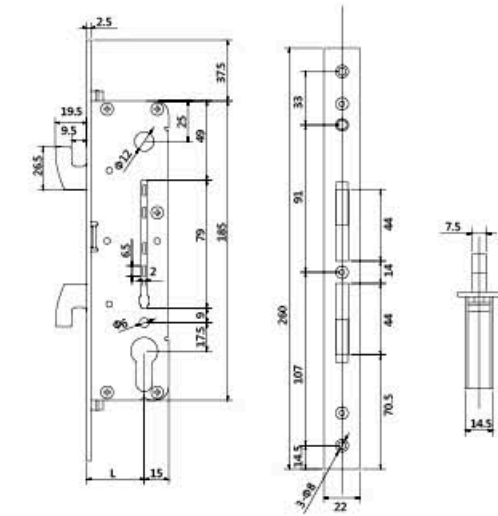
**85C**

锁体 Lock body



**85F**

锁体 Lock body



L处长度：I3085，I3585

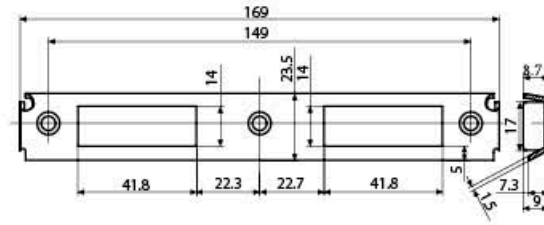


**MB-01**

框面板 Frame panel



外观尺寸  
DIMENSIONS



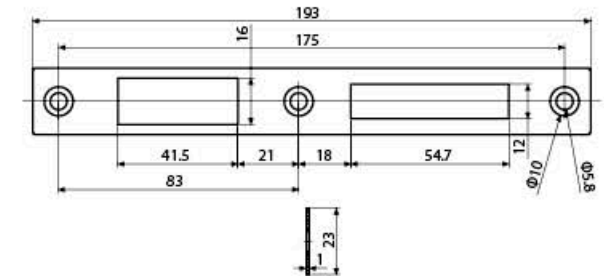
不分左右, 适用于铝合金平开门  
Around, for aluminum alloy flat door

**MB-04**

框面板 Frame panel



外观尺寸  
DIMENSIONS



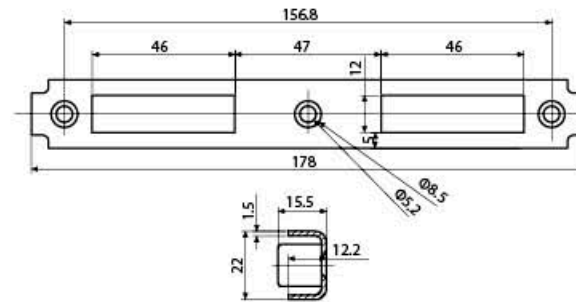
不分左右, 适用于铝合金平开门  
Around, for aluminum alloy flat door

**MB-02**

框面板 Frame panel



外观尺寸  
DIMENSIONS



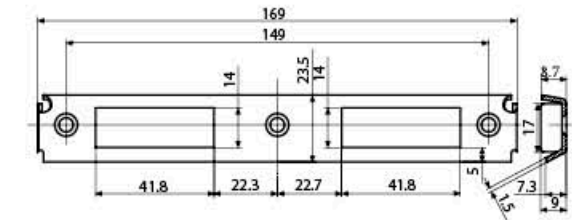
不分左右, 适用于铝合金平开门  
Around, for aluminum alloy flat door

**MB-05**

框面板 Frame panel



外观尺寸  
DIMENSIONS



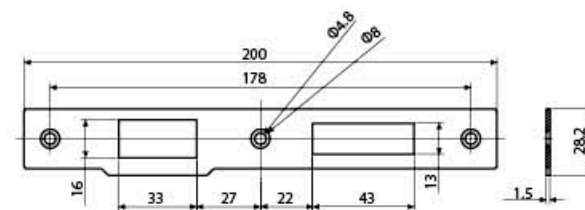
不分左右, 适用于铝合金平开门  
Around, for aluminum alloy flat door

**MB-03**

框面板 Frame panel



外观尺寸  
DIMENSIONS



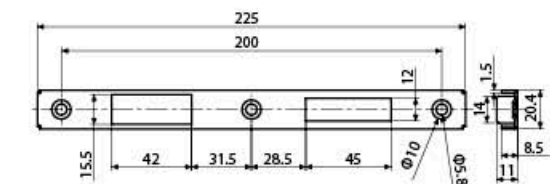
不分左右, 适用于铝合金平开门  
Around, for aluminum alloy flat door

**MB-06**

框面板 Frame panel



外观尺寸  
DIMENSIONS



不分左右, 适用于铝合金平开门  
Around, for aluminum alloy flat door

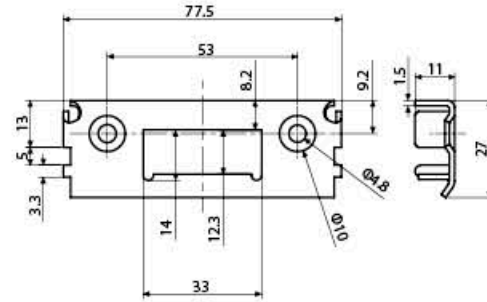
**MB-07**

框面板 Frame panel

外观尺寸  
DIMENSIONS



不分左右, 适用于铝合金平开门  
Around, for aluminum alloy flat door



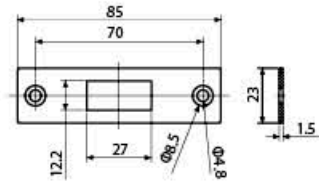
**MB-08**

框面板 Frame panel

外观尺寸  
DIMENSIONS



不分左右, 适用于铝合金或实木平开门  
Around, for aluminum alloy flat door



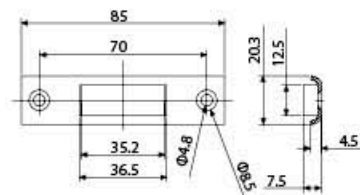
**MB-09**

框面板 Frame panel

外观尺寸  
DIMENSIONS

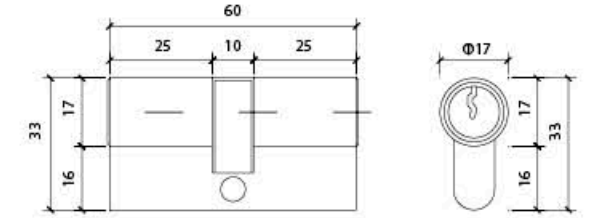


不分左右, 适用于铝合金或实木平开门  
Not divided, suitable for aluminum alloy or solid wood door



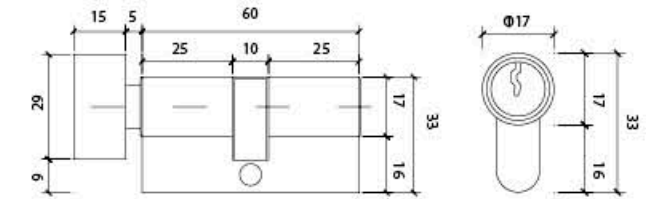
**SX60**

锁芯 Lock core



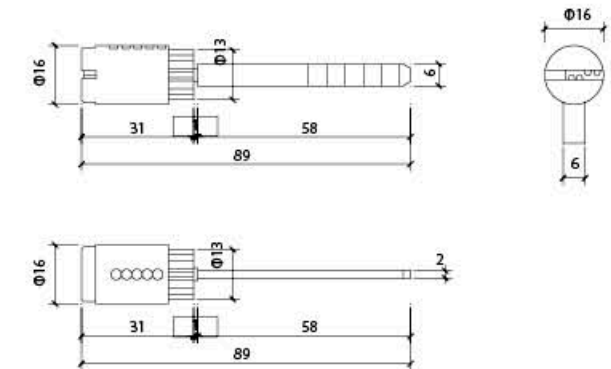
**SX60A**

锁芯 Lock core



**SX90**

锁芯 Lock core





# FRICTION STAY SERIES

## 窗撑系列

### FC-18

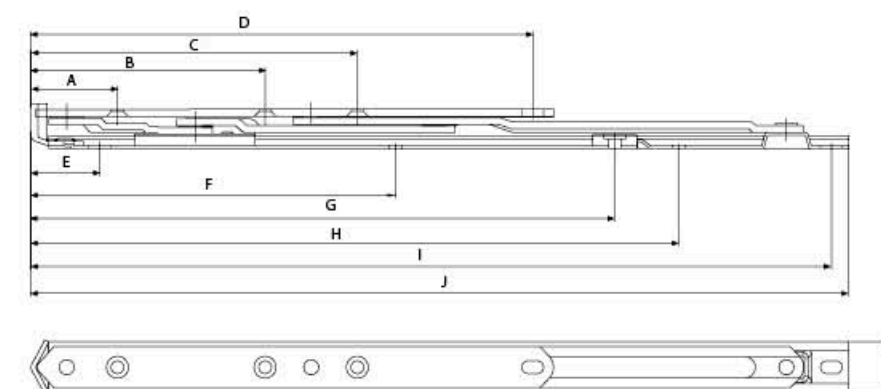
18 方槽平开窗滑撑

18mm Square Groove Casement Friction Stay



产品安装尺寸 (单位: mm):

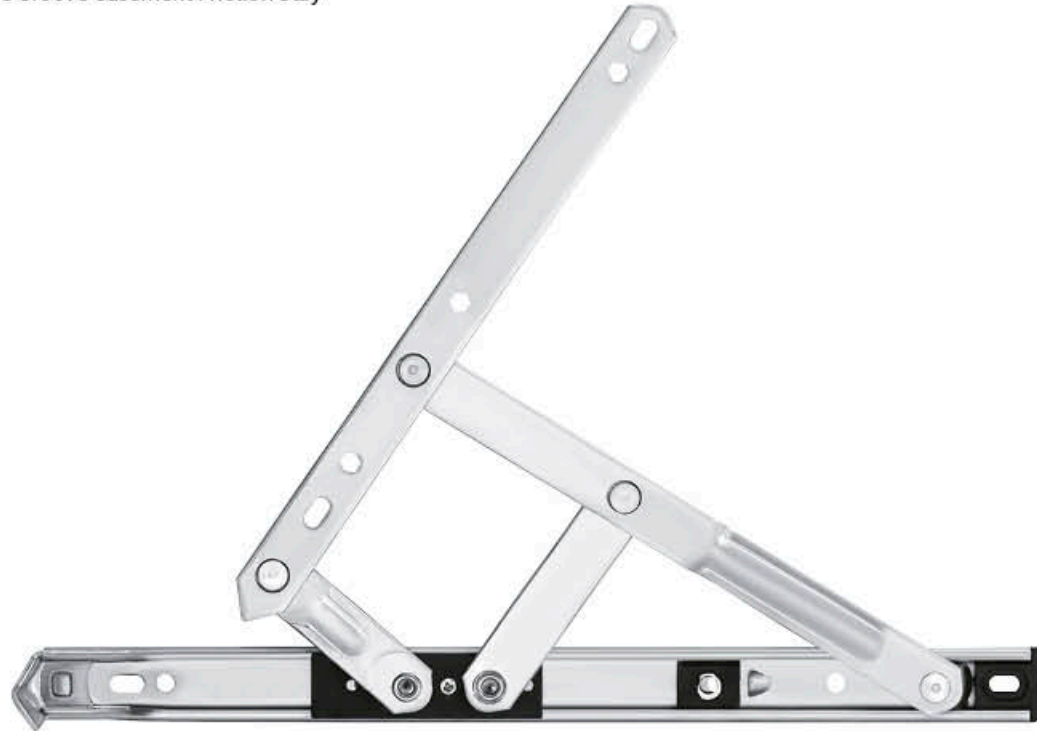
规格型号 Specification model	A	B	C	D	E	F	G	H	I	J	最大扇高 Maximum fan height	最大扇宽 Maximum fan width	最大承重 Maximum load bearing	最大开启角度 Maximum opening angle
FC-18	41.5	59.5	121.5	185	33.5	45	201	254.5	262.5	1500	500	18kg	<88°	
FC-18	41.5	59.5	188	203	32	43.5	217.5	245	296	304	1500	600	23kg	<88°
FC-18	41.5	59.5	145.5	227	32	43.5	234	281	347	355	1500	700	27kg	<88°
FC-18	41.5	59.5	147.5	242	32	43.5	245	322	396	404	1500	750	30kg	<88°



## FC-22

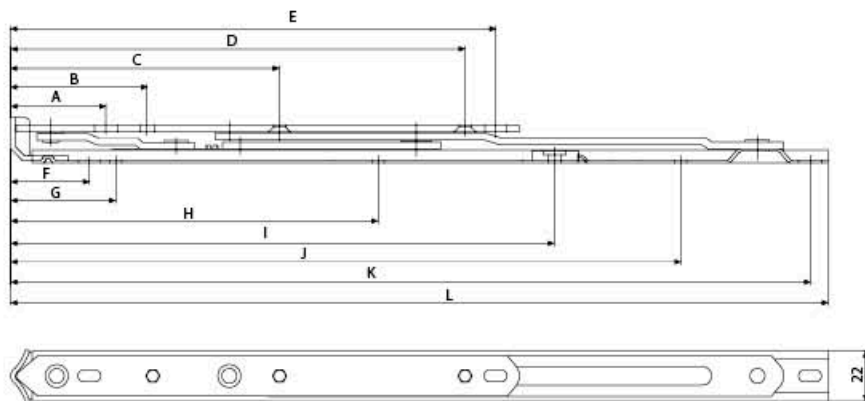
### 22 方槽平开窗滑撑

22mm Square Groove Casement Friction Stay



产品安装尺寸 (单位: mm):

规格型号 Specification model	A	B	C	D	E	F	G	H	I	J	K	L	最大扇高 Maximum fan height	最大扇宽 Maximum fan width	最大承重 Maximum load bearing	最大开启角度 Maximum opening angle
FC-22	41	59	187	190.5	32	43.5	124	185.5	253	261	1500	500	23kg	<45°/88°		
FC-22	41	59	117	192	211.5	32	43.5	147.5	201	245.5	296	304	1500	600	28kg	<45°/88°
FC-22	41	59	143	229	242.5	32	43.5	158.5	236	290.5	347	355	1500	700	33kg	<45°/88°
FC-22	41	59	154	229	242.5	32	43.5	161.5	245	290	396.5	404.5	1500	750	38kg	<45°/88°



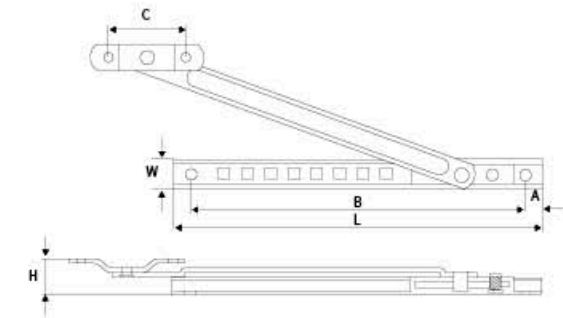
## LG-01

窗撑 Window support



规格	总长度 (L)	螺丝孔距 (B)	高度 (H)	底宽 (W)	固定折片孔距 (C)
6"	152	135	16/21	13.5/18/22.5	48
8"	203	185	16/21	13.5/18/22.5	48
10"	254	236	16/21	13.5/18/22.5	48
12"	304	286	16/21	13.5/18/22.5	48
14"	355	337	16/21	13.5/18/22.5	48
16"	406	388	16/21	13.5/18/22.5	48

选用最优质的进口 304 不锈钢材料制造确保牢固耐用, 经 5 万次负重测试后仍能正常使用。



备注: 以上数据仅供参考, 以实物为主, 技术数据另可按需求定做。

## LG-02

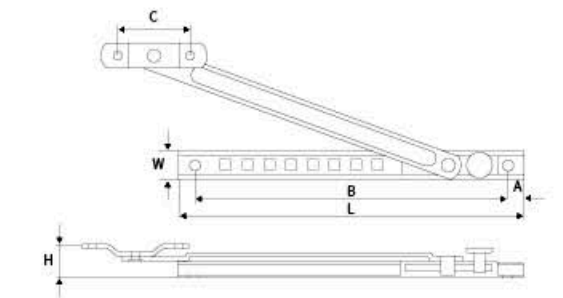
窗撑 Window support



可定位滑撑

规格	总长度 (L)	螺丝孔距 (B)	高度 (H)	底宽 (W)	固定折片孔距 (C)
6"	152	135	16/21	13.5/18/22.5	48
8"	203	185	16/21	13.5/18/22.5	48
10"	254	236	16/21	13.5/18/22.5	48
12"	304	286	16/21	13.5/18/22.5	48
14"	355	337	16/21	13.5/18/22.5	48
16"	406	388	16/21	13.5/18/22.5	48

选用最优质的进口 304 不锈钢材料制造确保牢固耐用, 经 5 万次负重测试后仍能正常使用。



备注: 以上数据仅供参考, 以实物为主, 技术数据另可按需求定做。



## YC-19

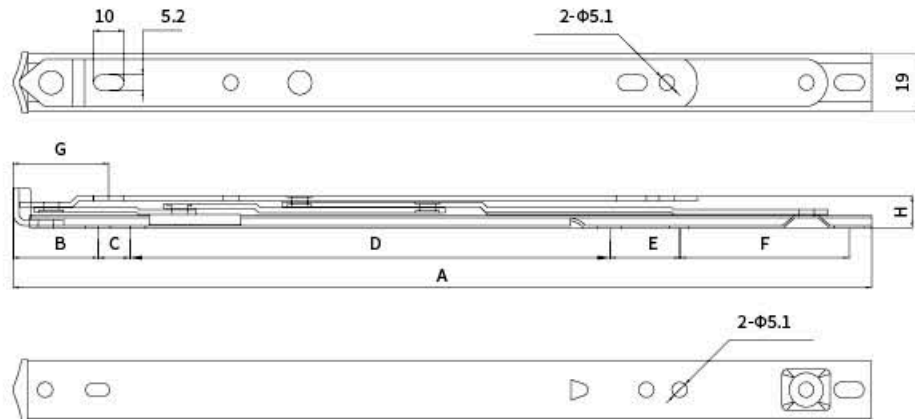
### 19 圆槽平开窗滑撑

19mm Round Groove Casement Friction Stay



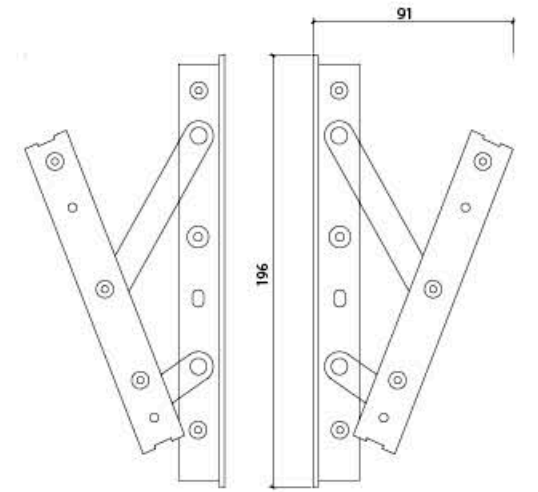
产品安装尺寸 (单位 mm)

规格型号	A	B	C	D	E	F	G	H	Max Weight	Open Angle
8" * 2.0mm	203	34	-	112.5	-	51.5	36.2	13	22KG	65°
10" * 2.0mm	254	34	-	172.5	-	32.6	40.2	13	24G	90°
12" * 2.0mm	304	34	11.5	156.5	20	75	36.2	13	25KG	90°
14" * 2.0mm	355	34.5	16.5	195.5	29	68.5	39	13	26KG	90°
16" * 2.0mm	402	38	11.5	230.5	29	86	41.8	14.5	32KG	90°



## SF-001

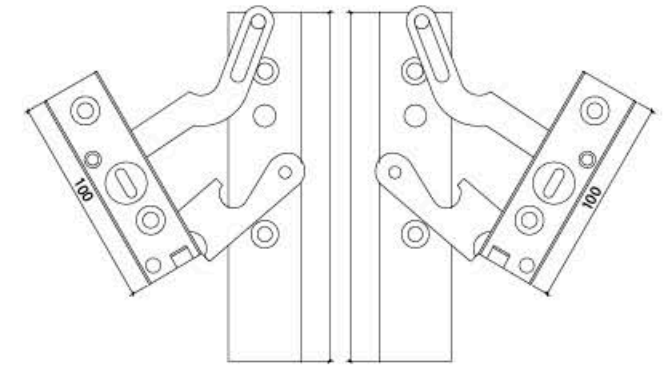
窗撑 Window support



备注: 以上数据仅供参考, 以实物为主, 技术数据另可按需求定做。

## SF-002

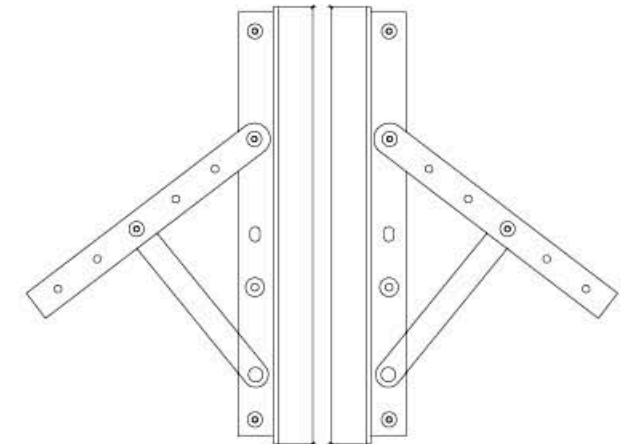
窗撑 Window support



备注: 以上数据仅供参考, 以实物为主, 技术数据另可按需求定做。

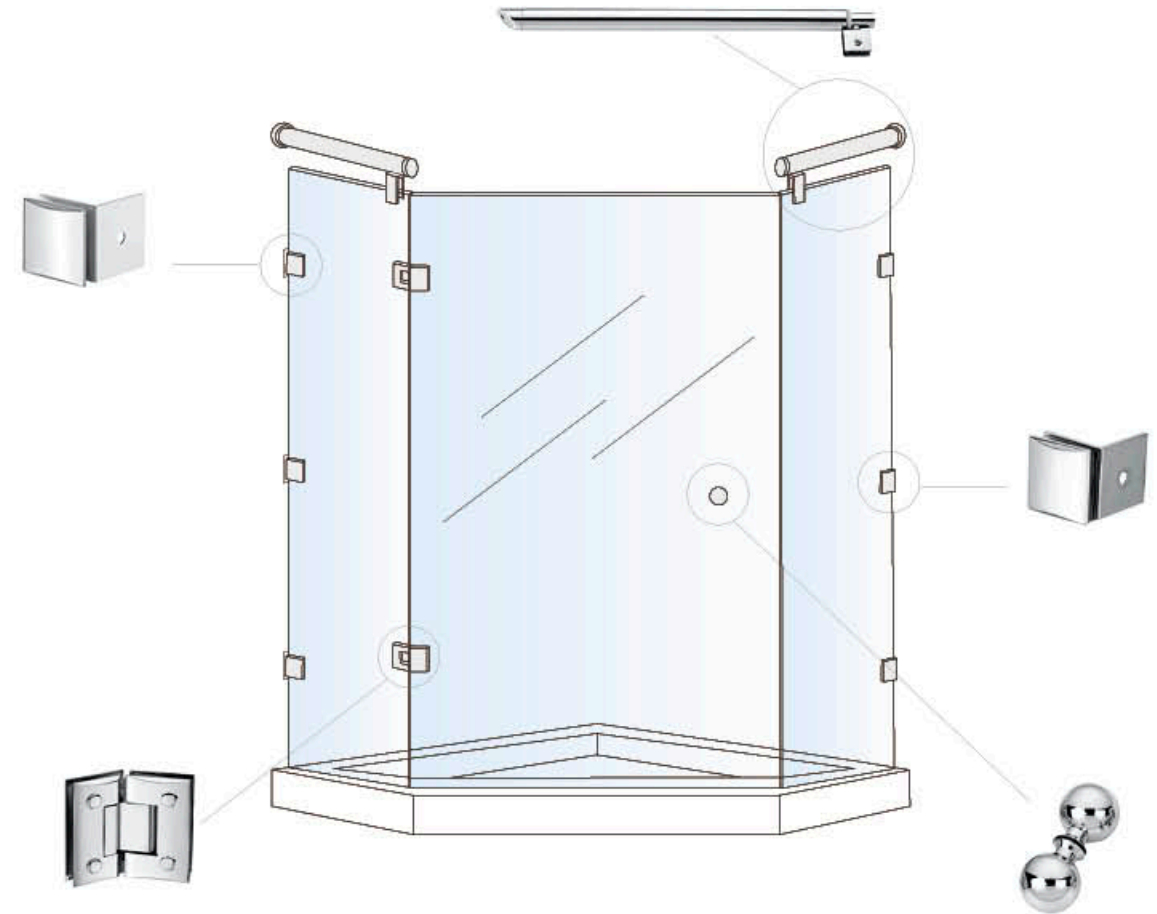
## SF-003

窗撑 Window support



备注: 以上数据仅供参考, 以实物为主, 技术数据另可按需求定做。

BATHROOM  
SERIES  
浴室系列



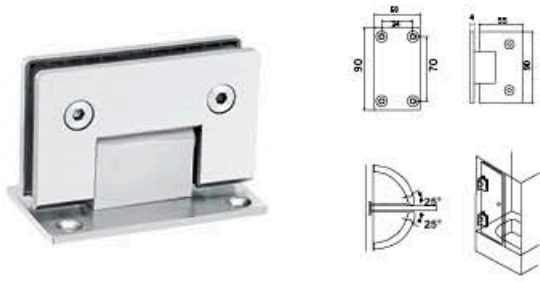
无框淋浴门铰链选用优质材料按照现行国际准精良制作，多种配置，不受现场施工条件制约，更有毛巾架、防水条等选件供选择，用户可轻松搭配实现完美结合。

The frame-less shower door is produced with high-grade materials pursuant to the prevailing international standard, It is available in a range of configurations, without being limited by site conditions, towel racks, water strips are also available to achieve your desired combination easily.



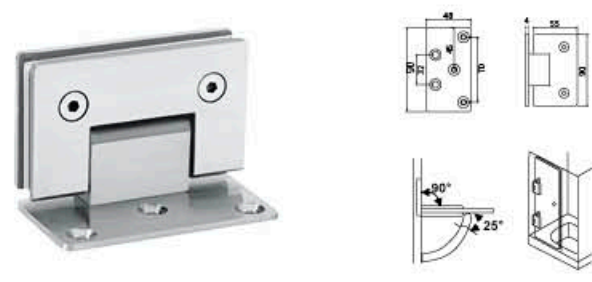
**KY-101**

方形 90° 双边浴室玻璃夹  
Square 90° double bathroom glass clamp



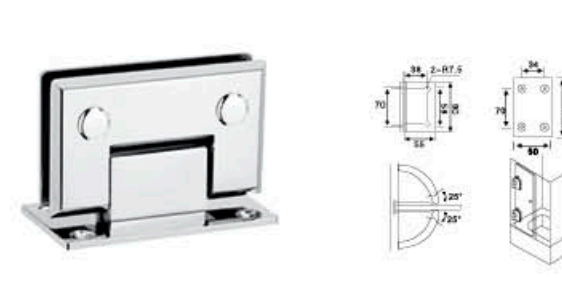
**KY-102**

方形 90° 单边浴室玻璃夹  
Square 90° single bathroom glass clamp



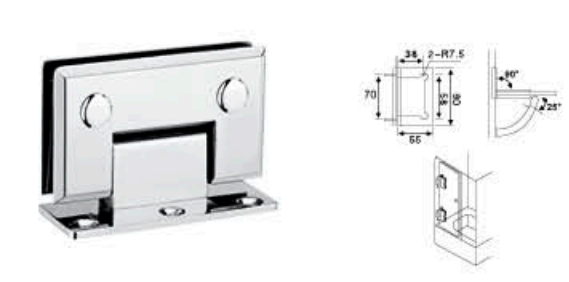
**KY-201**

方形斜边 90° 双边浴室玻璃夹  
Square bevel 90° double bathroom glass clamp



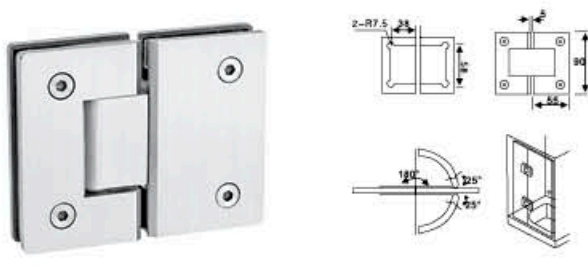
**KY-202**

方形斜边 90° 单边浴室玻璃夹  
Square bevel 90° single bathroom glass clamp



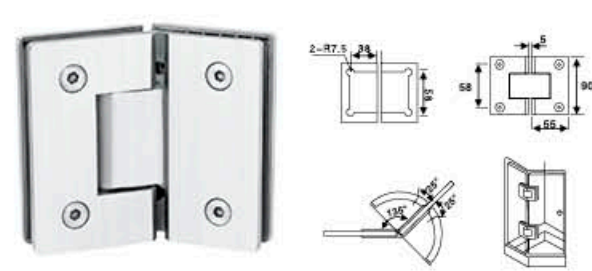
**KY-103**

方形 180° 直边浴室玻璃夹  
Square 180° straight side bathroom glass clamp



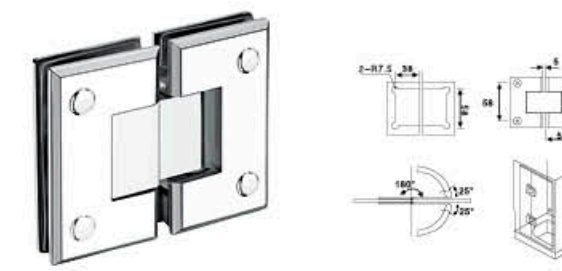
**KY-104**

方形 135° 直边浴室玻璃夹  
Square 135° straight side bathroom glass clamp



**KY-203**

方形斜边 90° 浴室玻璃夹  
Square bevel 90° bathroom glass clamp



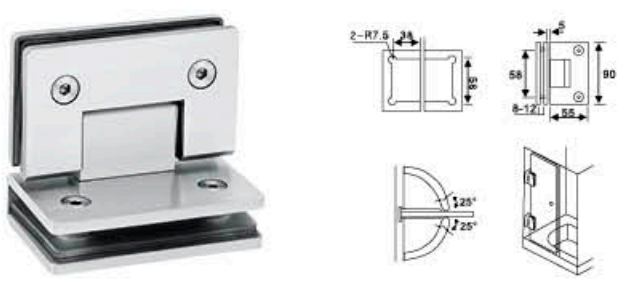
**KY-204**

方形斜边 135° 浴室玻璃夹  
Square bevel 135° bathroom glass clamp



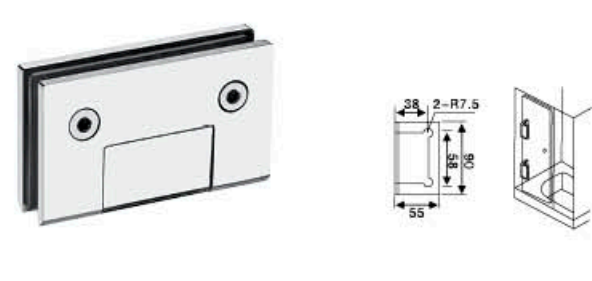
**KY-105**

方形 90° 直边双页浴室玻璃夹  
Square 90° straight side bathroom glass clamp double hinge



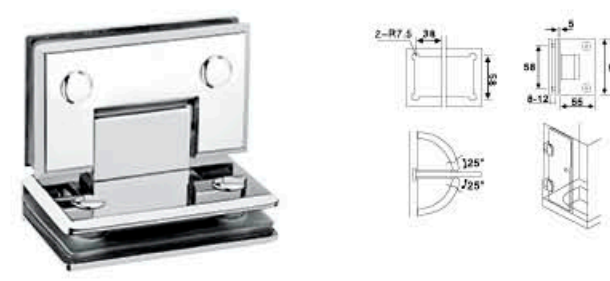
**KY-106**

方形 90° 固定浴室玻璃夹  
Square 90° fixed bathroom glass clamp



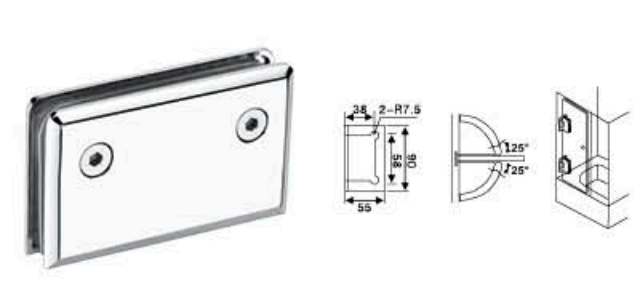
**KY-205**

方形斜边 90° 双页浴室玻璃夹  
Square bevel 90° double bathroom glass clamp



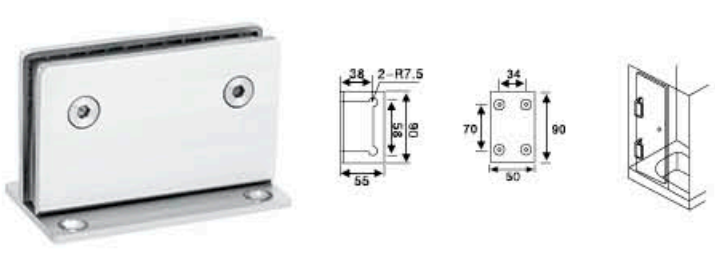
**KY-206**

方形斜边 90° 双页浴室玻璃夹  
Square bevel 90° double bathroom glass clamp



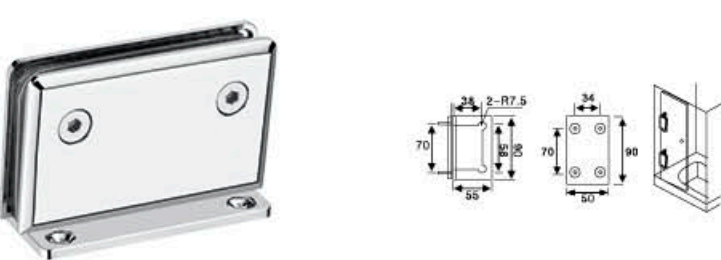
**KY-107**

方形 90° 固定浴室玻璃夹  
Square 90° fixed bathroom glass clamp



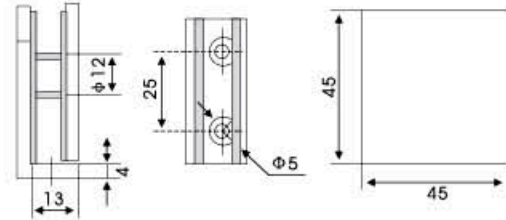
**KY-208**

方形斜边 90° 浴室玻璃夹  
Square bevel 90° bathroom glass clamp



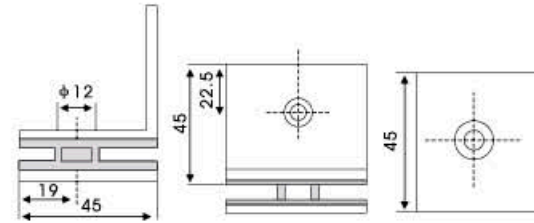
**GD-101**

方形直角单孔 0°固定夹  
Square rectangular single-pore 0° attaching clamp



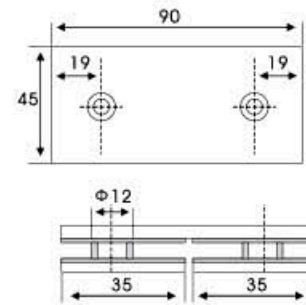
**GD-102**

方形直角 90°单固定夹  
Square right angle 90° single attaching clamp



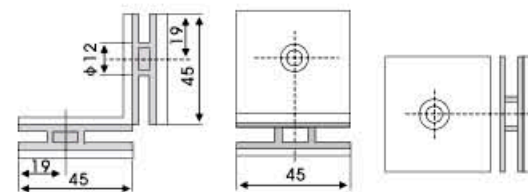
**GD-103**

方形直角 180°双固定夹  
Square right angle 180° double attaching clamp



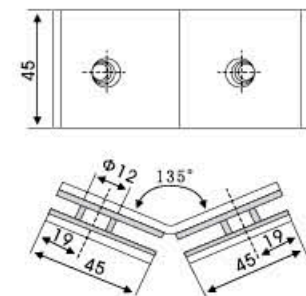
**GD-104**

方形直角 90°双固定夹  
Square right angle 90° double attaching clamp



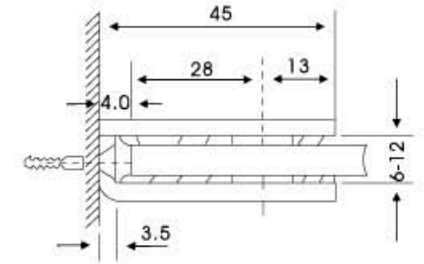
**GD-105**

方形直角 135°双固定夹  
Square right angle 135° double attaching clamp



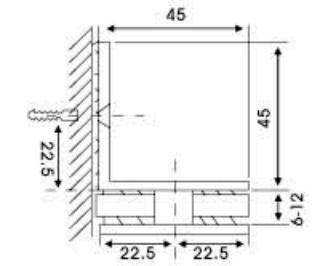
**GD-201**

方形斜边 0°固定夹  
Square level 0° attaching clamp



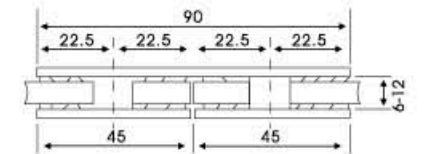
**GD-202**

方形斜边 90°单固定夹  
Square level 90° single attaching clamp



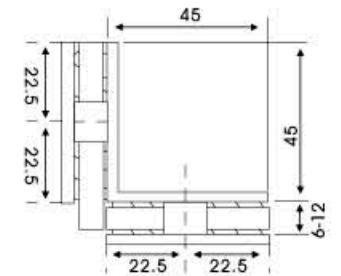
**GD-203**

方形斜边 180°双固定夹  
Square level 180° double attaching clamp



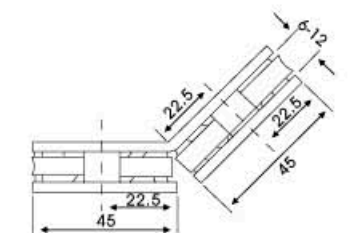
**GD-204**

方形斜边 90°双固定夹  
Square level 90° double attaching clamp



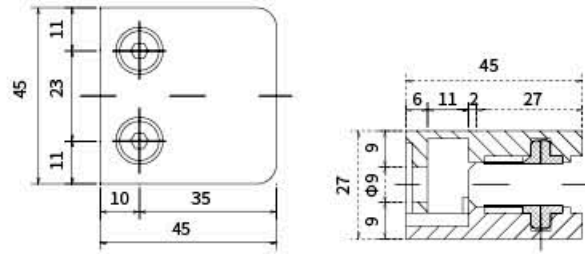
**GD-205**

方形斜边 135°双固定夹  
Square level 135° double attaching clamp

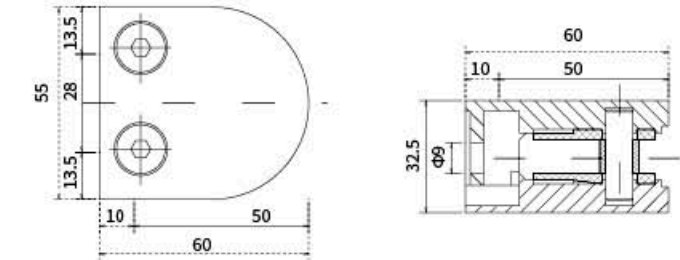




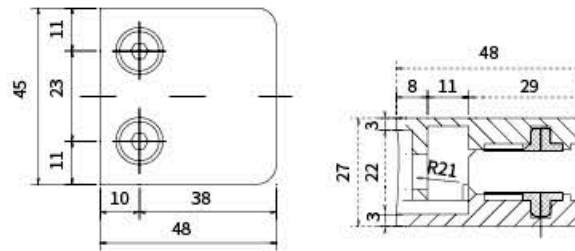
**KB01F**  
玻璃夹 Glass clamp  
45\*45直边 Straight edge



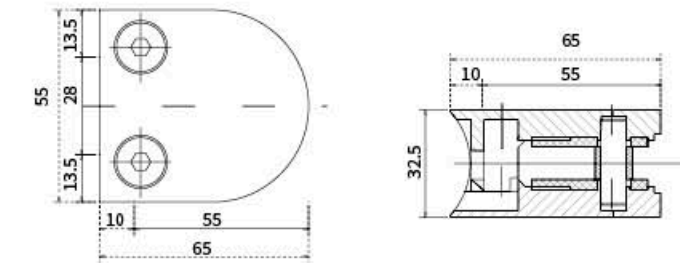
**KB03F**  
玻璃夹 Glass clamp  
55\*60直边 Straight edge



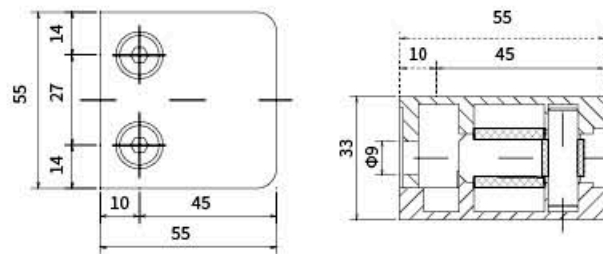
**KB01H**  
玻璃夹 Glass clamp  
45\*48弧边 Arc edge



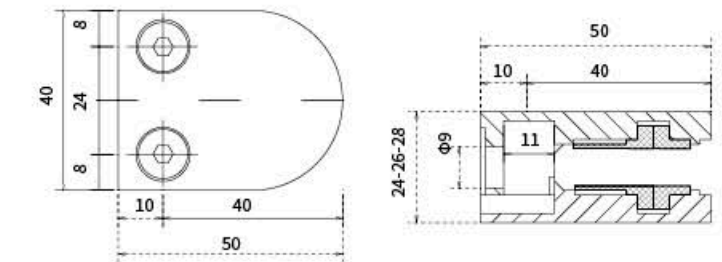
**KB03H**  
玻璃夹 Glass clamp  
55\*65弧边 Arc edge



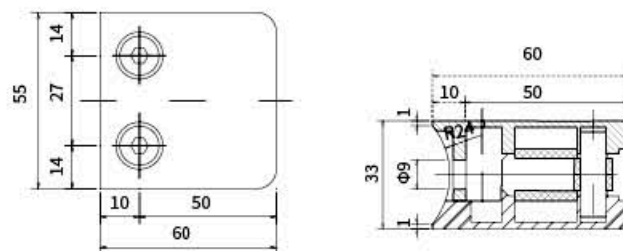
**KB02F**  
玻璃夹 Glass clamp  
55\*55直边 Straight edge



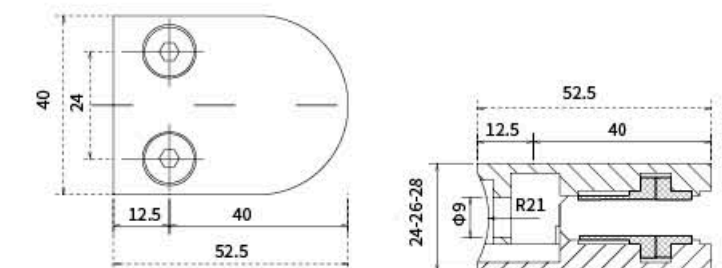
**KB04F**  
玻璃夹 Glass clamp  
40\*50直边 Straight edge



**KB02H**  
玻璃夹 Glass clamp  
55\*60弧边 Arc edge

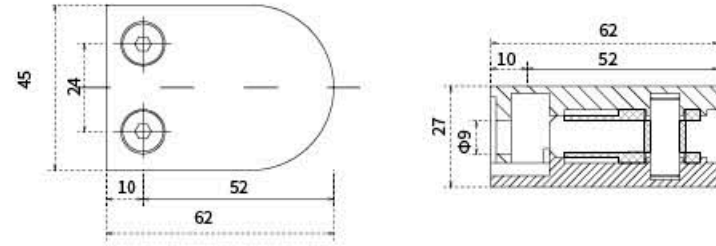


**KB04H**  
玻璃夹 Glass clamp  
40\*52.5弧边 Arc edge



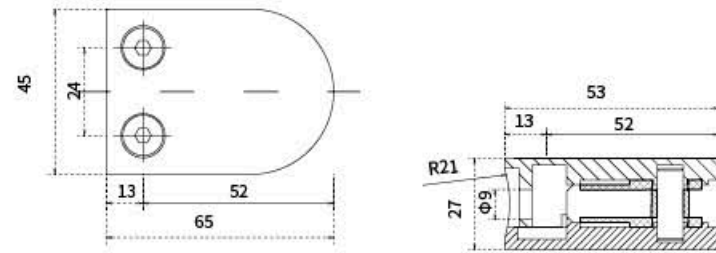
**KB05F**

玻璃夹 Glass clamp  
45°62 直边 Straight edge



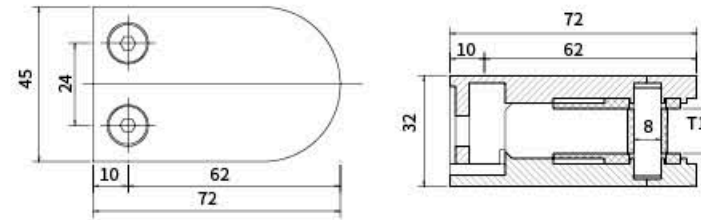
**KB05H**

玻璃夹 Glass clamp  
45°65 弧边 Arc edge



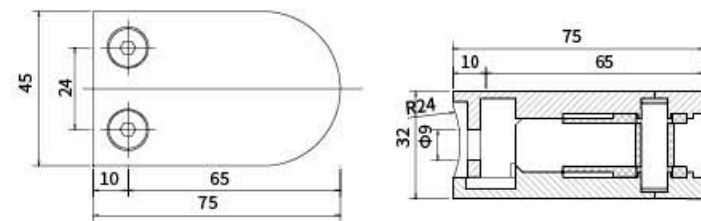
**KB06F**

玻璃夹 Glass clamp  
40°72 直边 Straight edge



**KB06H**

玻璃夹 Glass clamp  
40°75 弧边 Arc edge



DOOR CLAMP  
SERIES  
门夹系列



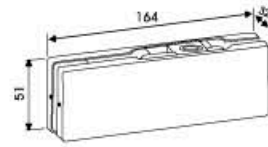




**M101**

上夹 Upper clamp

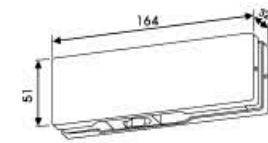
材质: 铝、钢、铁  
表面处理: 亮光、沙光



**M102**

下夹 Lower clamp

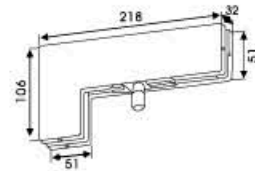
材质: 铝、钢、铁  
表面处理: 亮光、沙光



**M103**

曲夹 Crank clamp

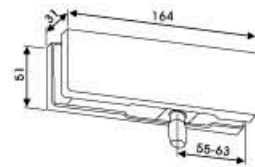
材质: 铝、钢、铁  
表面处理: 亮光、沙光



**M104**

顶夹 Top clamp

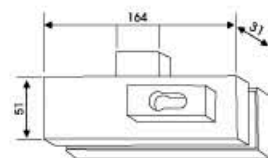
材质: 铝、钢、铁  
表面处理: 亮光、沙光



**M105**

锁夹 Lock clamp

材质: 铝、钢、铁  
表面处理: 亮光、沙光



# CABINET HANDLE SERIES

## 橱柜拉手系列

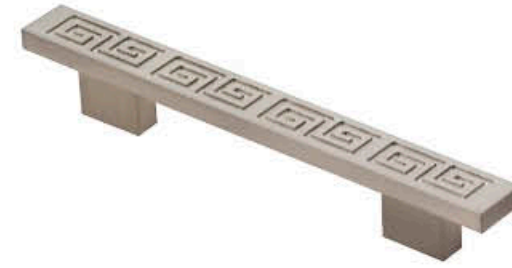




**LS1001**  
规格 (Size):96/128/160



**LS1002**  
规格 (Size):96/128/160/192/224



**LS1007**  
规格 (Size):96/128/160/192/224/256/320/390/480



**LS1008**  
规格 (Size):96/128/160/192/224/256



**LS1003**  
规格 (Size):160



**LS1004**  
规格 (Size):96/128/160/192



**LS1009**  
规格 (Size):96/128



**LS1010**  
规格 (Size):64/96/128/160/192/224



**LS1005**  
规格 (Size):64/96/128/160/192/224



**LS1006**  
规格 (Size):64/96/128/160/192/224



**LS1011**  
规格 (Size):64/96/128



**LS1012**  
规格 (Size):64/96/128/160/192/224





**LS1013**  
规格 (Size):128/160/192/224/256/288



**LS1014**  
规格 (Size):128/160/192/224/256



**LS1019**  
规格 (Size):96/128



**LS1020**  
规格 (Size):64/96/128/160/192



**LS1015**  
规格 (Size):96/128/160/192/224/256



**LS1016**  
规格 (Size):160/192/224/256/288/320



**LS1021**  
规格 (Size):1



**LS1022**  
规格 (Size):1



**LS1017**  
规格 (Size):96/128/160/192/224/256



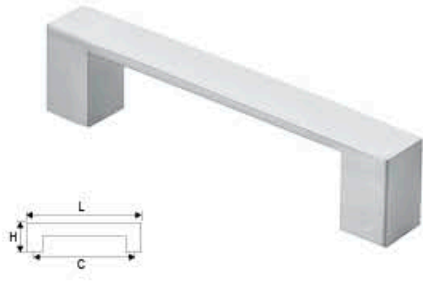
**LS1018**  
规格 (Size):96/128/160



**LS1023**  
规格 (Size):S/M/L



**LS1024**  
规格 (Size):24/28/31/34



**LS1025**  
直径 (Diameter): 20x5  
规格 (Size): All the available size



**LS1026**  
直径 (Diameter): 10/12/14  
规格 (Size): All the available size



**LS1033**  
直径 (Diameter):  $\Phi$ 8/10/12/19  
规格 (Size): All the available size



**LS1034**  
直径 (Diameter):  $\Phi$ 10/12/14  
规格 (Size): All the available size



**LS1027**



**LS1028**  
直径 (Diameter): 12x6/16x6/20x6/20x8  
规格 (Size): All the available size



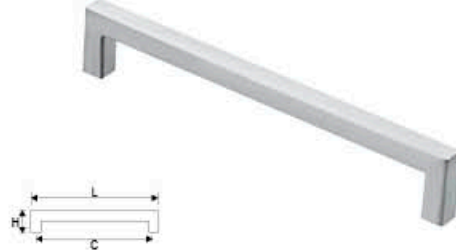
**LS1035**  
直径 (Diameter):  $\Phi$ 8/10/12  
规格 (Size): All the available size



**LS1036**  
直径 (Diameter): 10x10/12x12  
规格 (Size): All the available size



**LS1029**  
直径 (Diameter):  $\Phi$ 8/10/12/14/15/16/19  
规格 (Size): All the available size



**LS1030**  
直径 (Diameter):  $\Phi$ 10x10/12x12/14x14/15x15/16x16  
规格 (Size): All the available size



**LS1037**  
直径 (Diameter):  $\Phi$ 10/12/12.7/14/19  
规格 (Size): All the available size



**LS1038**  
直径 (Diameter):  $\Phi$ 15x10/23x13  
规格 (Size): All the available size



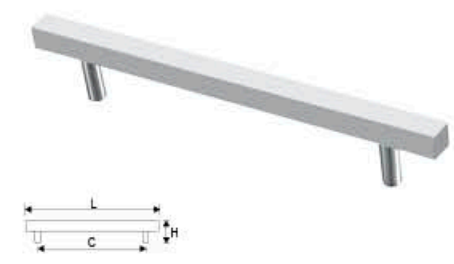
**LS1031**  
直径 (Diameter): 23x13/20x10  
规格 (Size): All the available size



**LS1032**  
直径 (Diameter):  $\Phi$ 10  
规格 (Size): 96/128/160/192/224/256/288/320



**LS1039**  
直径 (Diameter): 8/10  
规格 (Size): All the available size



**LS1040**  
直径 (Diameter): 10x10/12x12/15x15  
规格 (Size): All the available size





**LS1041**  
规格 (Size):96/128



**LS1042**  
规格 (Size):96/128



**LS1047**  
规格 (Size):96/128



**LS1048**  
规格 (Size):96/128



**LS1043**  
规格 (Size):96/128



**LS1044**  
规格 (Size):96/128



**LS1049**  
规格 (Size):96/128



**LS1050**  
规格 (Size):96/128



**LS1045**  
规格 (Size):96/128



**LS1046**  
规格 (Size):96/128



**LS1051**  
规格 (Size):96/128



**LS1052**  
规格 (Size):96/128



**YG01**  
规格 (Size):S/L  
材质: 锌合金  
Material:Zinc alloy



**YG02**  
材质: 锌合金  
Material:Zinc alloy



**YG07**  
直径 (Diameter):23x13/20x10  
规格 (Size) : All the available size



**YG08**  
直径 (Diameter):23x13/20x10  
规格 (Size) : All the available size



**YG09**  
直径 (Diameter):23x13/20x10  
规格 (Size) : All the available size



**YG03**  
材质: 锌合金  
Material:Zinc alloy



**YG04**  
规格 (Size):S/L  
材质: 锌合金  
Material:Zinc alloy



**YG10**  
直径 (Diameter):23x13/20x10  
规格 (Size) : All the available size



**YG11**  
直径 (Diameter):23x13/20x10  
规格 (Size) : All the available size



**YG12**  
直径 (Diameter):23x13/20x10  
规格 (Size) : All the available size



**YG06**  
材质: 锌合金  
Material:Zinc alloy



**YG13**  
直径 (Diameter):23x13/20x10  
规格 (Size) : All the available size



**YG14**  
直径 (Diameter):23x13/20x10  
规格 (Size) : All the available size