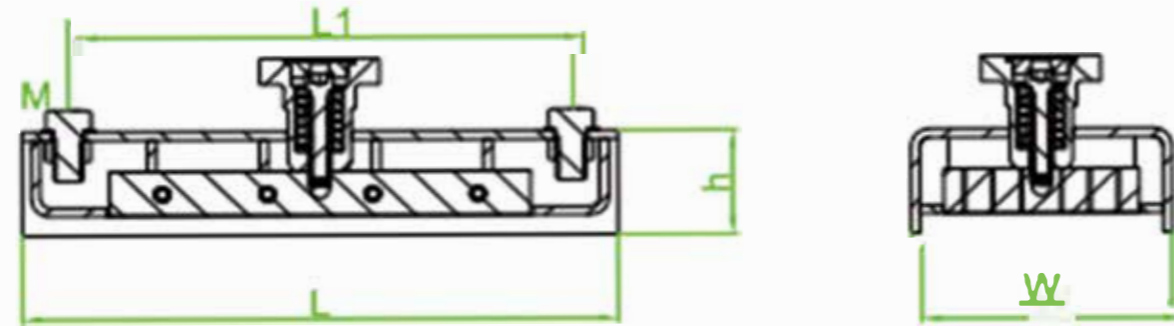


碳钢磁盒 CARBON STEEL SHUTTERING MAGNET

This series of Shutter Magnets has been specifically designed for securing wooden or iron templates. Through the innovative design of a rare earth permanent magnet structure, it generates a pull force that significantly exceeds that of the magnet itself. Additionally, the cost-effective and practical carbon steel shell effectively shields and protects the internal magnetic core. All bolts and nuts are constructed from 12.9 grade high-strength alloy and 304 stainless steel, allowing for easy connection to external adapters of various shapes to enhance template stability.

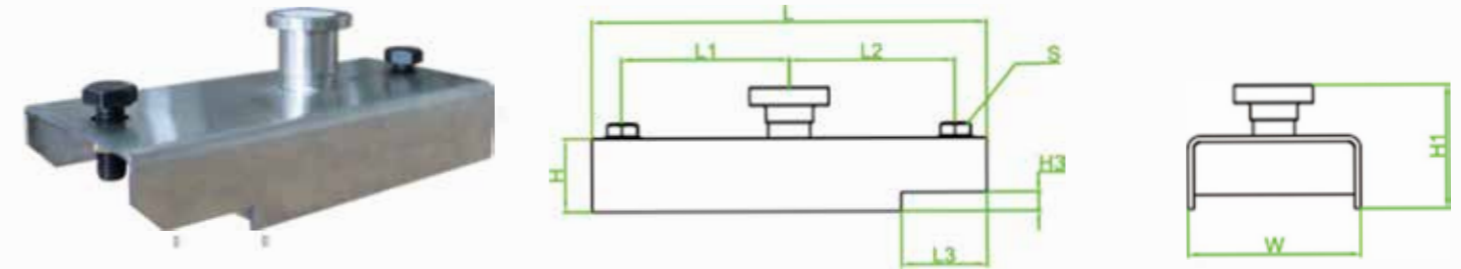


型号 Model	L(mm)	L1(mm)	W(mm)	h(mm)	M	自重(g) Weight	拉脱力(kg) Breakaway
QCM450	170	135	60	43	M12*30	1800	450
QCM600	170	142	60	43	M12*30	2500	600
QCM900	280	244	60	43	M12*30	2800	900
QCM1600	290	240	120	60	M16*30	6500	1600
QCM1800	320	270	120	60	M16*30	7200	1800
QCM2100	320	270	120	60	M16*30	7600	2100
QCM2400	320	270	120	60	M16*30	7600	2400
QCM3000	320	270	140	60	M16*30	7800	3000



不锈钢磁盒 STAINLESS STEEL SHUTTERING MAGNET

Considering the corrosion resistance of carbon steel and the harsh conditions at the component production site, our company has specifically designed this stainless steel precast concrete magnet to maximize the service life of the Shutter Magnet. All bolts and nuts are constructed from 12.9 grade high-strength alloy or 304 stainless steel, allowing for easy connection to adapters of various shapes to ensure a more secure attachment of the template.



型号 Model	L(mm)	L1(mm)	L2(mm)	L3(mm)	W(mm)	H(mm)	H3(mm)	S	自重(g) Weight	拉脱力(kg) Breakaway
QCM450B	190				60	40	10	M12*40	1800	450
QCM600B	200	72.5	95.5	42	60	43	10	M12*40	1900	600
QCM1000B	200	65	100	50	95	60	10	M12*40	3000	1000
QCM1350B	320	113	161	47	90	60	10	M16*60	5700	1350



磁盒夹具 SHUTTERING MAGNETS ADAPTOR

In the design and production of formwork systems, the QCM Shutter Magnet is an essential standard tool. In practice, the varying bottom widths of angle steel or channel steel molds may render the step length of our Shutter Magnet unsuitable for all molds. To enhance the adaptability of the Shutter Magnet to different mold platforms and achieve optimal fixing effectiveness, we design a range of adapters tailored to customer specifications. With these customized adapters and various tooling options, the Shutter Magnet can securely fix a wide array of molds, including wooden formwork.

