



Shanghai Shigan

Name: Mary

Tel: 0086 18069669221

E-mail: shigan7@checkweigher-sg.com

SG-100 Online checkweigher





Shanghai Shigan

Name: Mary

Tel: 0086 18069669221

E-mail: shigan7@checkweigher-sg.com

Shanghai Shigan Industrial Co., Ltd. is a professional manufacturer and supplier that is concerned with the design, development, and production of [checkweigher](#).

Induction

SG-100 checkweigh is a kind of high speed and high accuracy online weight inspection equipment, dynamic weight signal processing system, rich software, electronic, mechanical components, so that the series can meet the requirements of all walks of life online weight inspection.





Shanghai Shigan

Name: Mary

Tel: 0086 18069669221

E-mail: shigan7@checkweigher-sg.com

Feature and advantage

1. High precision: adopt imported high speed weighing module and weight sensor to ensure the detection accuracy.
2. High speed: max speed 300 pcs/min
3. Simple structure: the whole machine is made of stainless steel with simple structure and easy to maintain and maintain in line with GMP and HACCP specifications.
4. Easy to operate: Schneider touch screen is used for simple operation and intuitive display, which supports multiple languages (Default Chinese and English).
5. Convenient external connection: it can be connected to other equipment in the production line, such as printer labeling machine and code spraying machine.
6. Wide application: it is used for weight detection of bagged filling products and can be used in a variety of elimination methods (dial rod type air blowing type push tank type, etc).
7. Automatic feedback function: it can timely feedback the packaging accuracy to the signal of the front-end equipment so as to adjust the feeding condition of the connected equipment.

Specification

Weighing range: 2-300g

Detection accuracy: $\pm 0.05\text{g}$ (detection accuracy is affected by product weight, product size, delivery mode, working environment, etc.)

Dividing value: 0.01g



Shanghai Shigan

Name: Mary

Tel: 0086 18069669221

E-mail: shigan7@checkweigher-sg.com

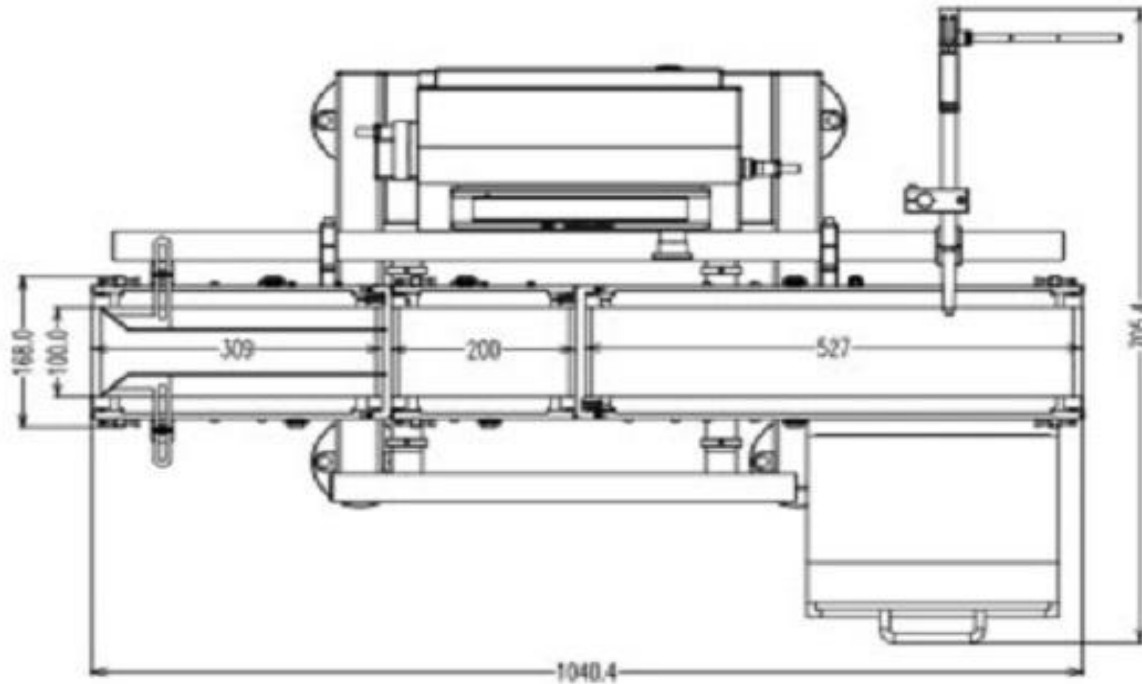
Large inspection speed: 300 PCS/min

Conveyor belt width: 100mm

Pick out system: air blow pick out (other types can be customized)

Power supply: AC220V; 50 Hz; 1 p; 10 a

Case material: 304 stainless steel





Shanghai Shigan

Name: Mary

Tel: 0086 18069669221

E-mail: shigan7@checkweigher-sg.com

Application

Pills, tablets, capsules, hardware and other high-speed packets, lightweight items.



Service

✓ Security: We are suppliers, Direct sales, More guarantee product quality, after-sales service and so on



Shanghai Shigan

Name:Mary

Tel:0086 18069669221

E-mail:shigan7@checkweigher-sg.com

- ✓ The professional services:Years of good faith service,Solve technical problems in various ways,After-sale no Worries
- ✓ The perfect process :Strict bill of lading, the specification of docking,Strict quality control process,Strict debugging before out of the factory
- ✓ Powerful:Strong design team, accept orders and deliver quickly

FAQ

1. Are you manufacturer or trader?

We are manufacturer and we are located in Shanghai,China.And we have our own design team for products design.

2.Do you accept customer Logo and customized ?

we accept kinds of customized and logo of all of our products for customers.

3.Can your product speed and precision be adjusted?

Yes, it can be adjusted according to your requirements

All the inspection scales of our company are produced and sold by ourselves, Shanghai Shigan is a reliable manufacturer, and this series of inspection scales can be customized to meet your different needs.If you are interested in any of our automatic checkweigher. or would like to discuss a custom order, please feel free to [contact us](#).