

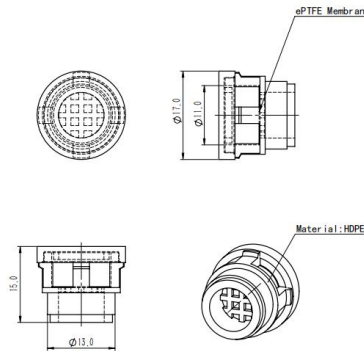
Product Technical Data Sheet

产品技术参数表

PRODUCT NAME 产品名称： Snap-In Vent Plug
嵌入式防水透气塞

PRODUCT MODEL 产品型号： AYN-Vent Plug_D17_E20WO

PRODUCT DIAGRAM 产品示意图：



MEMBRANE MODEL 膜型号： AYN-E20WO

APPLICATION FEILD 应用领域： Chemicals Packaging
化学品包装应用

APPLICATION CHEMICAL 应用化学产品： Bleacher, Disinfectant, Amino Acid, Agrochemicals, Liquid Fertilizer
漂白剂, 消毒剂, 氨基酸, 农药, 液体肥

Product Properties 产品特性：

PHYSICAL PROPERTIES	TEST METHOD	UNIT	TYPICAL DATA
物理特性	测试方法	单位	典型值
Plug Material 塞子材质	/	/	HDPE 高密度聚乙烯
Plug Color 塞子颜色	/	/	White 白
Membrane Construction 防水透气膜结构	/	/	PTFE/PO non-woven 聚四氟乙烯/聚烯烃无纺布
Membrane Surface Property 防水透气膜表面特性	/	/	Oleophobic & Hydrophobic 防油&防水
Typical Air Flow Rate 透气性	ASTM D737	ml/min @ 7KPa	1400
Water Entry Pressure 耐静水压	ASTM D751	KPa dwell 30 sec	≥70
IP Grade IP 防护等级	IEC 60529	/	IP67/IP68



新夏塑料包装有限公司

Xinxia Plastic Packaging Co., Ltd.

地址：江苏省昆山市石孟路169号正源创汇科技产业园6号厂房

Plant No. 6, Zhengyuan Chuanghui Science and Technology Industrial

Park, No. 169 Shiteng Road, Kunshan City, Jiangsu Province

浙江省绍兴市越城区沥海工业园区城东路3-5号

No. 3-5, Chengdong Road, Lihai Industrial Park, Yuecheng District,
Shaoxing City, Zhejiang Province

Moisture Vapor Transmission 透湿性	ASTM E96	g/m ² /24h	>5000
Oleophobic Grade 疏油等级	AATCC 118	Grade	≥7
Service Temperature 服务温度	IEC 60068-2-14	°C	-40°C ~ 125°C
ROHS 有害物质	IEC 62321	/	Meet ROHS Requirements (符合 ROHS 要求)
PFOA & PFOS 全氟辛酸/全氟辛烷磺酸	US EPA 3550C & US EPA 8321B	/	PFOA & PFOS Free (不含 PFOA 和 PFOS)

Application 应用：

This series of vent plug could equalize the pressure differentials of chemical containers which caused by temperature difference, altitude changes and releasing/consuming gases, in order to prevent container deformation and liquid leakage. 该系列防水透气塞可以平衡化学容器因温差、海拔变化和释放或消耗气体而产生的内外压差，防止容器变形和液体泄漏。

The vent plugs can be used in breathable cap products for chemicals packaging containers, and be suitable for High-concentration Hazardous Chemicals, Low-concentration Household Chemicals, Agricultural Chemicals and other Special Chemicals. 该系列防水透气塞可用于化学品包装容器的透气盖产品，适用于高浓度危险化学品、低浓度家用化学品、农药及其他特殊化学品。

Shelf Life 保质期：

Shelf life is two years from the date of receipt for this product as long as this product is stored in its original packaging in an environment below 80°F (27°C) and 60% RH. 本产品以原包装保存在低于 80°F(27°C)和 60%相对湿度的条件下，自收货之日起，保质期为两年。

Note 注意：

All data above are typical data for the membrane raw material, for reference only, and should not be used as special data for outgoing quality control. 以上数据均为防水透气膜典型数据，仅供参考，不作为出厂质量控制的具体数据。

All technical information and advice given here is based on XINXIA's previous experiences and test results. XINXIA gives this information to the best of its knowledge, but assumes no legal responsibility. Customers are asked to check the suitability and usability in the specific application, since the performance of the product can only be judged when all

necessary operating data are available. 所有技术信息和建议都是基于新夏公司以前的经验和测试结果。新夏



新夏塑料包装有限公司

Xinxia Plastic Packaging Co., Ltd.

地址：江苏省昆山市石孟路169号正源创汇科技产业园6号厂房

Plant No. 6, Zhengyuan Chuanghui Science and Technology Industrial

Park, No. 169 Shiteng Road, Kunshan City, Jiangsu Province

浙江省绍兴市越城区沥海工业园区城东路3-5号

No. 3-5, Chengdong Road, Lihai Industrial Park, Yuecheng District,
Shaoxing City, Zhejiang Province

公司尽其所知提供此信息，不承担任何法律责任。客户应验证其具体应用的适用性和可用性，只有当所有必要的运行数据都可用时，才能判断产品的性能。

XINXIA