



塑料拖链系列

Plactic Cable Chains Series

塑料拖链适合于使用在往复运动的场合，能够对内置的电缆、油管、气管、水管等起到牵引和保护作用。广泛应用于数控机床、电子设备、石材机械、玻璃机械、门窗机械、注塑机、机械手、起重运输设备、自动化仓库等。

Plastic cable chains are suitable for use in reciprocating situations and can provide traction and protection for built-in cables, oil pipes, air pipes, water pipes, etc. Widely used in CNC machine tools, electronic equipment, stone machinery, glass machinery, door and window machinery, injection molding machines, robotic arms, lifting and transportation equipment, automated warehouses, etc.



工程塑料拖链系列简介

Introduction to the engineering plastic cable chain series

拖链的用途和特点 / Characteristics and Applications of Drag Chains

- ◆ 适合于使用在往复运动的场合，能够对内置的电缆、油管、气管、水管等起到牵引和保护作用。
- ◆ 拖链每节都能打开，便于安装和维修。运动时噪音低、耐磨、可高速运动。
- ◆ 拖链已被广泛应用于数控机床、电子设备、石材机械、玻璃机械、门窗机械、注塑机、机械手、起重运输设备、自动化仓库等。
- ◆ The product can be used for such locations where reciprocating motions are required so that internally installed cables, oil pipes, gas tubes and water tubes can be dragged and protected.
- ◆ Each joint of the chain can be opened up so as to facilitate repairs and maintenance. It gives low noises and is of anti-wearing while running. It can also be operated under high speed.
- ◆ The drag chains have already extensively used in digital-controlled machine tools, electronic equipment, machinery for stone industry, machinery for glass industry, machinery for doors and windows, moulding injectors, manipulators, lifting and transport equipment and automatic warehouses, etc.

拖链的结构 / Construction of the drag chains

- ◆ 拖链外形似坦克链，由众多单元链节组成，链节之间转动自如。
- ◆ 相同系列的拖链内高、外高、节距相同，拖链内高、弯曲半径R可有不同的选择。
- ◆ 单元链节由左右链板和上下盖板组成，拖链每节都能打开，装拆方便，不必穿线，打开盖板后即可把电缆、油管、气管等放入拖链内。
- ◆ 另可提供分隔片，将链内空间按需要分隔开。
- ◆ The appearance of the chain looks like the crawler of a tank consisting of certain number of joints. The joints of crawler are freely turned round.
- ◆ The same series of chain has same inner height and out height and same pitch but the inner height and bend radius R can be made per different specifications.
- ◆ A unit chain joint is consisting of a left-right chain plate and a updown cover. Each chain joint can be opened up so as to facilitate assembly and dismantal without threading. Cables, oil pipes and gas pipes can be put into the drag chain after the cover plate is opened.
- ◆ Spacers are available for use, which are able to divide the space inside the chain into divisions according to requirements.

拖链的基本参数 / Basic parameters of drag chains

- ◆ 材料：增强尼龙，具有高的压力和抗拉负荷，良好的韧性、高弹性、耐磨性、阻燃性。高低温时性能稳定，可以使用在室外。
- ◆ 抗耐性：耐油、盐并有一定的耐酸、耐碱能力。
- ◆ 运行速度和加速度：最高速度可达5米/秒，最高加速度可达5米/秒²(具体速度、加速度视运行情况而定)。
- ◆ 运行寿命：在正常架空使用情况下，可达500万往复运动次数(具体寿命视运行情况而定)。
- ◆ Material: reinforced nylon. It can stand with high pressure and has good tensile strength, toughness and elasticity, wearing and falmable resistance.
- ◆ Resistances: It is oil and salt resistant.
- ◆ Operating speed and acceleration: Max. operating speed is 5m/sec. and max. acceeleration is 5m/sec. (specific speed and acceleration depends on specific situation).
- ◆ Service life: Under normal conditions, 5 million reciprocating motions can be reached (which is also related to the operating conditions.)

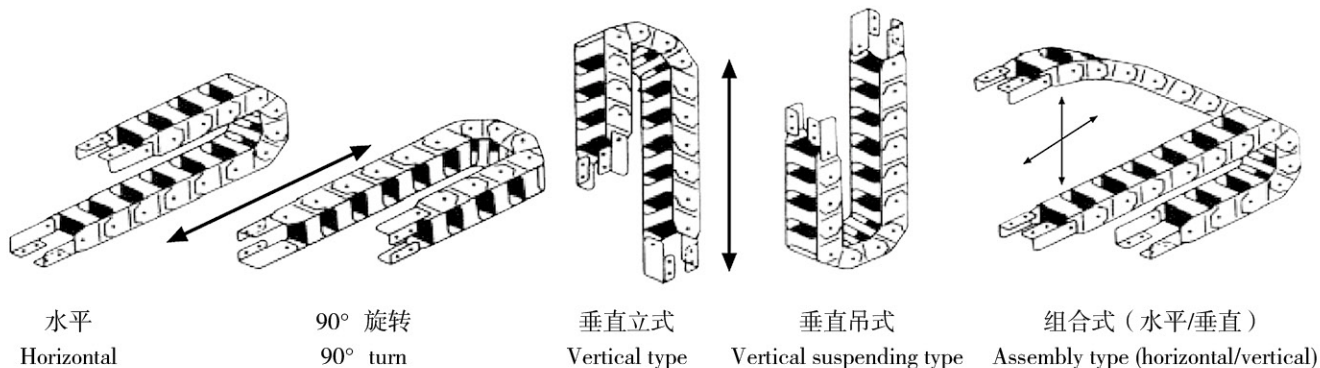
技术指标 / Technical data:

| | | | |
|----------------------------|--------------------------------------|---------------------------------|--------------------------------------|
| 抗拉强度 Tensile Strength | 180N/mm ² | 体积电阻 Volume Resistance | 10 ¹⁰ -10 ¹⁵ Ω |
| 冲击强度 Impact Strength | 50KJ/m ² | 吸水性 (23℃) Water Absorbency | 4% |
| 温度范围 Temperature Range | -40℃-130℃ | 摩擦系数 Friction Coefficient | 0.3 |
| 表面电阻 Surface Resistance | 10 ¹⁰ -10 ¹² Ω | 阻燃性 Flame Retardancy | HB(UL94) |

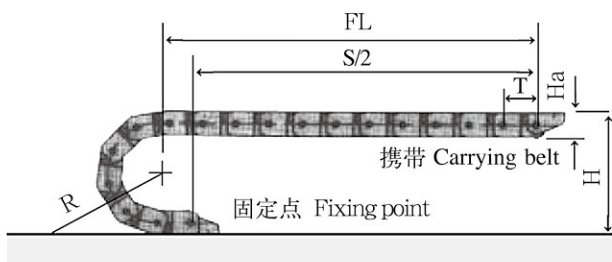
工程塑料拖链系列简介

Introduction to the engineering plastic cable chain series

拖链的运行方式 / Operating mode of chain



水平架空运行/Horizontally run with no load



H=安装高度
H=Installed height

T=节距
T=Pitch

Ha=外高
Ha=Outside height

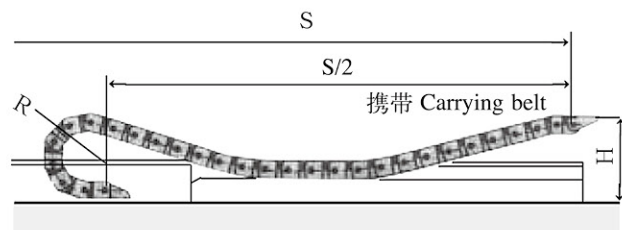
FL=架空长度
FL=Suspended length

P=固定端偏离行程中心的距离
P=Deviation from center at the fixed end

S=运行行程
S=Travel range

R=弯曲半径
R=Bending radius

滑动运行/Coast operation



固定端在行程中间
Be fixed at the middle point of the travel

在导向槽中运动
Move in the guide slot

固定点在运行行程中间时 (即P=0), 拖链长度最为节约。
When the fixed point being located at the middle point of the travel range (P=0), the length of drag chain will be optimized.

拖链长度和安装高度计算

拖链长度 $L = S/2 + \pi R + P + (2 \sim 3)T$

拖链安装高度 $H = 2R + Ha + 0.1Ha$

滑动运行拖链的长度和安装高度请来电咨询。

Calculations for chain's length and installation height

Chain's length $L = S/2 + \pi R + P + (2 \sim 3)T$

Drag chain's installation height $H = 2R + Ha + 0.1Ha$

Please ask by telephone or fax about the length and installation of the drag chain in coast operation

国际销售部 (International Sales Department):

电话 (Tel): +86-512-52503703 手机 (M.P): +86-17351130120 18913715738 [Http://www.kwld.com](http://www.kwld.com) E-mail: info@kwld.com



工程塑料拖链系列简介

Introduction to the engineering plastic cable chain series

拖链的选用原则 / Principle for selecting drag chains

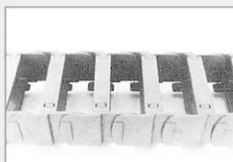
- ◆ 内高：选择内置电缆、油管、气管、水管等中最粗的一根作为参考高度，加上至少10%的高度空间作为拖链内高Hi。如果重叠按重叠后实际高度作为参考高度。
- ◆ 内宽：选择较粗的一些电缆、油管、气管、水管等，其外径之和作为拖链内宽的参考，并留有至少10%的宽度空间。
- ◆ 弯曲半径：选择内置电缆、油管、气管、水管等中最大的弯曲半径作为参考值，并留有10%以上的空间。
- ◆ Inner height: Take the most thick piece of the internally installed cable, oil pipe, gas pipe or water pipe as the reference height plus 10% of the space height at least as the inner height Hi. If overlapping, take the overlapped height as the actual height.
- ◆ Inner width: Take the sum of the outside diameter of the thicker cables, oil pipes, gas pipes or water pipes as the reference of the inner width and leave at least 10% of the space as a margin.
- ◆ Radius of a bend: Take the biggest radius of a bend of a cable, oil pipe, gas pipe or water pipe as a reference value and leave 10% of the space as a margin.

拖链内置电缆、油管、水管、气管的放置原则 / Installation principles for internally laid cable, oil pipe water pipe or gas pipe

- ◆ 应该留有15%的剩余空间，让内置电缆、油管等可以自由活动，在半径方向上对拖链不产生拉力。
- ◆ 直径差别大的导线应该分开铺设，重量平均分布，必要时可用分隔片分开。
- ◆ 在高速或高频率运行时，要尽量使导线在水平上相互分开，不要使之相互叠置，在电缆、气管、油管等较多的时候建议使用分隔片。
- ◆ 15% of the space should be reserved as a margin so that the internally laid cables and oil pipes can move freely and there will not be any stress on the drag chains in the direction of radius.
- ◆ For those cables that are quite different in diameter, they should be laid separately and the weight should be balanced evenly. They can also be separated from one another by using spacers if necessary.
- ◆ When operating in high speed or high frequency, the horizontally laid cables should be in a parted way and should not be overlapped. If too many cables, gas pipes and oil pipes laid together, it is recommended that spacers be used.

电缆拖链的安装 / Installation for cable drag chains

- ◆ 使用适当的平头螺丝刀，垂直插入盖板两端的开启孔，打开盖板，将电缆、油管等按照我们提供的放置原则放入拖链，然后盖上盖板，此外，电线的固定端和活动端均应去张力装置加以固定。
- ◆ 在长距离滑动使用时，建议使用导向槽。导向槽的使用和安装请咨询我公司的专业人员。
- ◆ Put a screw driver vertically into the opening hole at both ends of the cover and then open the cover. Put the drag chain for cables and oil pipes according to the instructions provided. Put the cover back. Note that the fixed end and the moving end of a cable should be fixed by using a tension device.
- ◆ When used in a long sliding service, it is recommended to use a guiding groove. Please ask our technical personnel about the usage of the guiding groove.



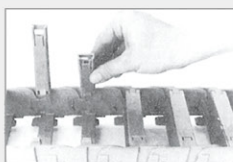
供货状态
Delivery state



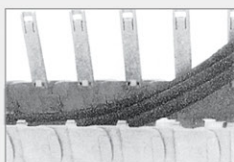
从一面撬开
Open one side...



从另一面撬开
Open the other side...



打开拖链
Open drag chains



铺入电缆
Cables inserted



用螺丝刀作为杠杆把链盖封闭
Tighten the chain' cover by using screwdriver

支承滚轮介绍

Support Roller Introduction

支撑轮单位

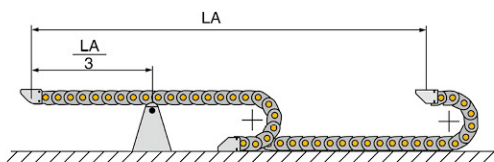
当拖链应用在 $\frac{LA}{2}$ 行程上，且承载的重量超过拖链自我的支撑能力的时候，有必要使用支撑轮。
决定使用支撑轮的数量，注意下面的情况：

Support Roller Units

For applications of cable chains with $\frac{LA}{2}$ and weights not included in the area of the diagram of self-supporting capacity it is necessary to use the appropriate support rollers.
To decide on the number of support rollers needed, note the following:

当使用一个支撑轮的情况

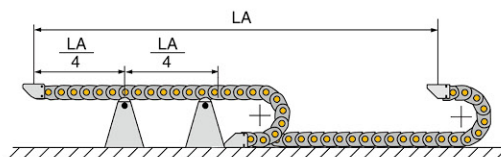
One Support Roller when



表格中 $\frac{LA}{3}$ 的行程上显示了拖链自我支撑的能力
The length $\frac{LA}{3}$ is included in the values of the diagram showing self-supporting capacity.

当使用两个支撑轮的情况

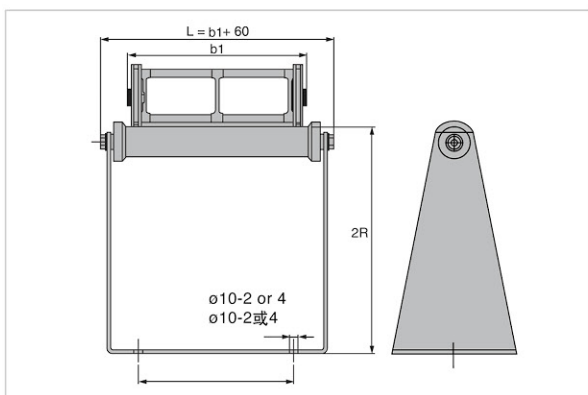
Two Support Rollers when



表格中 $\frac{LA}{4}$ 的行程上显示了拖链自我支撑的能力
The length $\frac{LA}{4}$ is included in the values of the diagram showing self-supporting capacity.

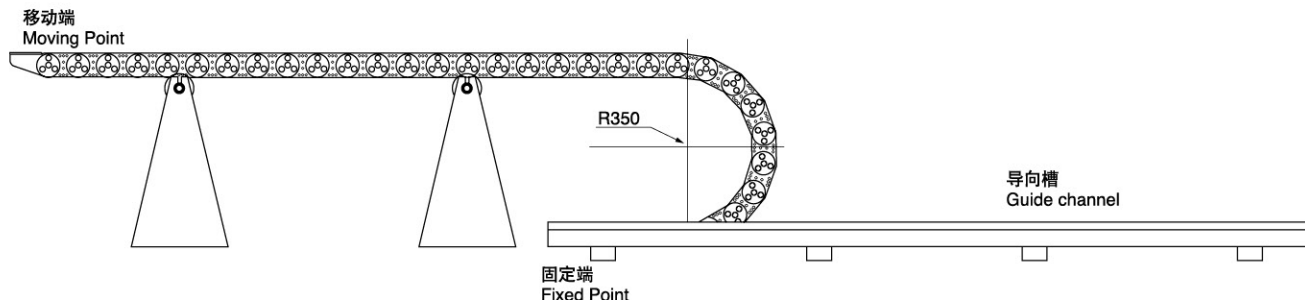
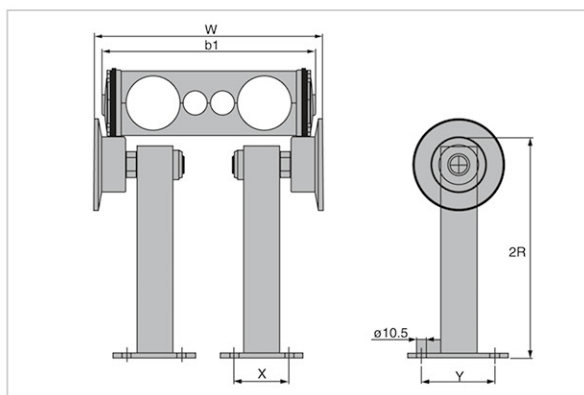
支撑轮为尼龙材质的情况

Support Roller for Nylon Chains



支撑轮为钢制的情况

Support Roller for Steel Chains



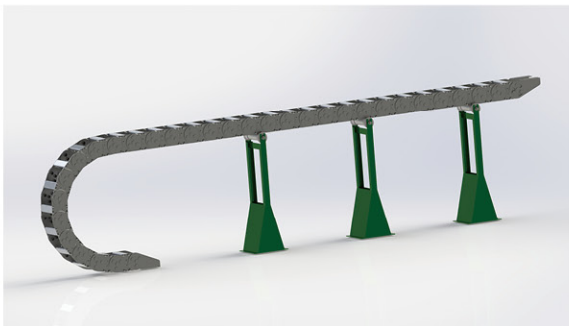
支承滚轮介绍

Support Roller Introduction

防止拖链下垂的方法 / To prevent cable carrier from being sagged

各拖链型号的自由跨度选定好的情况下，随着设备的特点在拖链需要延长使用长度时，为了防止拖链下垂而在下面安装支撑滚轮以延长使用长度并防止产品下垂。

When extended lengths are needed even if there are already free span length per each type, the Fixed Roller Support should be installed as the left picture to prevent them from being sagged.



Install the two-way moves support frame

■ 轨道的安装

- 确保地面无异物后，保持水平高度。
- 轨道以中心为基准，左右侧都应保持设备的行程距离多3M的富余长度。
- 安装时需注意事项—上下左右应保持水平高度。

■ The installation of the track

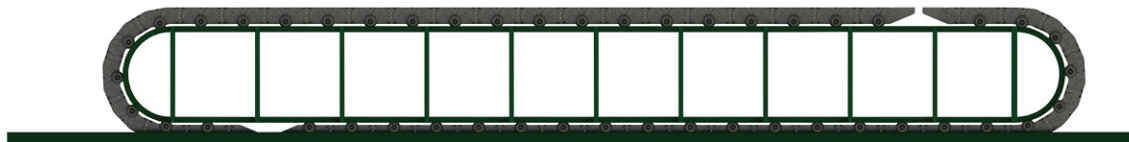
- After ensuring there is no foreign body, maintain the level of height
- Relative to the center, the support frame left and right side should keep more 3 meters than equipment's travel distance.
- Note that when you install matters – should be maintained at levels In all directions

■ 拖链与托架的安装指导

- 拖链的安装顺序：①拖链以导向轨道中心为基准，左右各保留250mm的间隔进行安装。
②固定端安装在轨道上段→安装拖链接头的固定端→用定位片连接拖链。
- 托架的安装顺序：①在拖链上段将一般托架用螺丝与弹簧连接。
②左右弯曲托架，在拖链上段用螺钉与弹簧将一般托架连接。
③托架连接后，拖链沿托架的弯曲曲线连接起来再固定住。

■ The installation guide of towline and support frame

- The installation sequence of drag chain:
 1. Regard the guide track center as the benchmark, around the retention interval of 250mm for installation.
 2. The fixed end is arranged on the upper of the track→install the joint fixed end of towline→Connect the chains use the Positioning pieces.
- The installation sequence of support frame
 1. Connect the support frame by springs and screws in the towline upper part.
 2. Bending the support frame at left and right, connect the support frame by springs and screws in the towline upper part.
 3. After the support frame's connection, join the towline along the curve of support frame, then fixd it.



- 拖链的安装方法：①沿着托架弯曲曲线连接起来的拖链的左右边连接到托架的中心位置。
②左右拖链与移动端连接后再安装在设备的移动端上。
③最后将胶管穿插到拖链中。

· The installation sequence of drag chain:

1. Connect the drag chain's left and right to the central position of support frame.
2. After connected the left and right chain with mobile terminal then install it on the mobile terminal of equipment.
3. At the and , the rubber hose through to the drag chain.

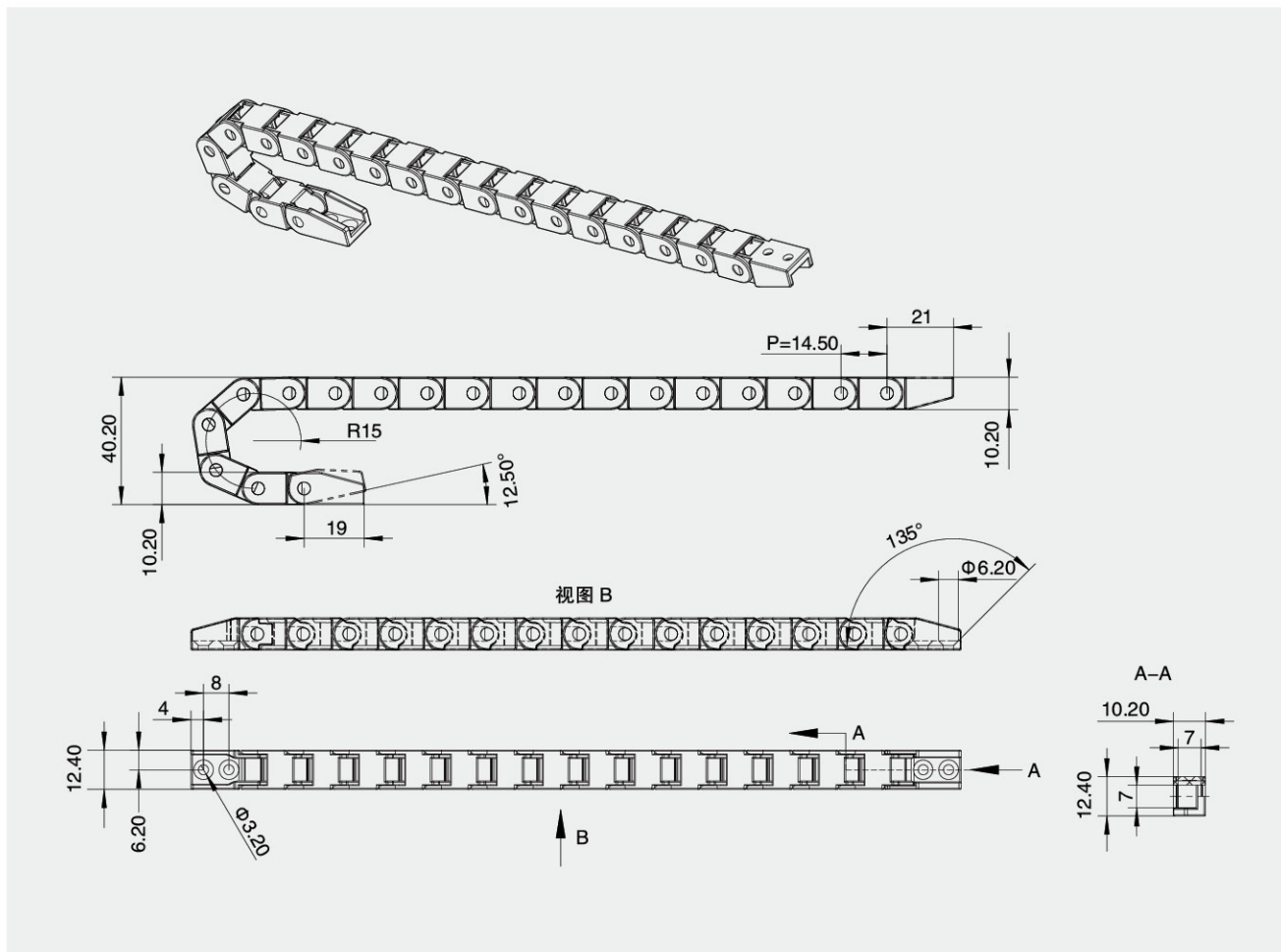
TLW系列 微型拖链

TLW series micro cable chains

TLW7系列 / TLW7 Series



| 型号 Type | 内腔(高 × 宽) Inside Diameter (height × width) (mm) | 外径(高 × 宽) Outside Diameter (height × width) (mm) | 弯曲半径(R) Bending radius (mm) | 节距 Pitch (mm) |
|------------|--|---|-----------------------------------|---------------------|
| TLW7.7 | 7 × 7 | 10.2 × 12.4 | 15.18 | 14.5 |



国际销售部 (International Sales Department):

电话 (Tel): +86-512-52503703 手机 (M.P): +86-17351130120 18913715738 [Http://www.kwld.com](http://www.kwld.com) E-mail: info@kwld.com



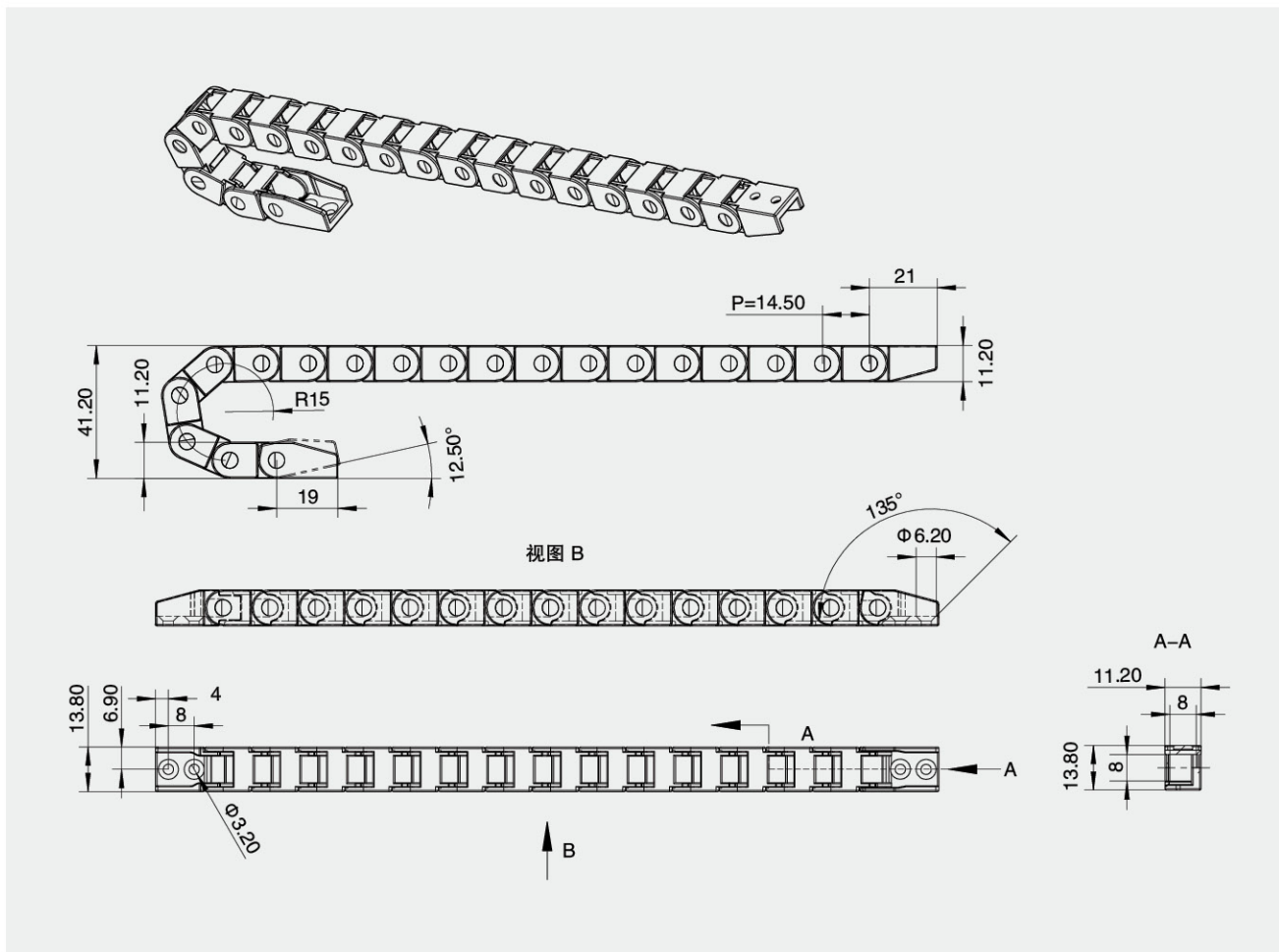
TLW系列 微型拖链

TLW series micro cable chains

TLW8系列 / TLW8 Series



| 型号 Type | 内腔(高 × 宽) Inside Diameter (height × width) (mm) | 外径(高 × 宽) Outside Diameter (height × width) (mm) | 弯曲半径(R) Bending radius (mm) | 节距 Pitch (mm) |
|------------|--|---|-----------------------------------|---------------------|
| TLW8.8 | 8 × 8 | 11.2 × 13.8 | 15.18 | 14.5 |



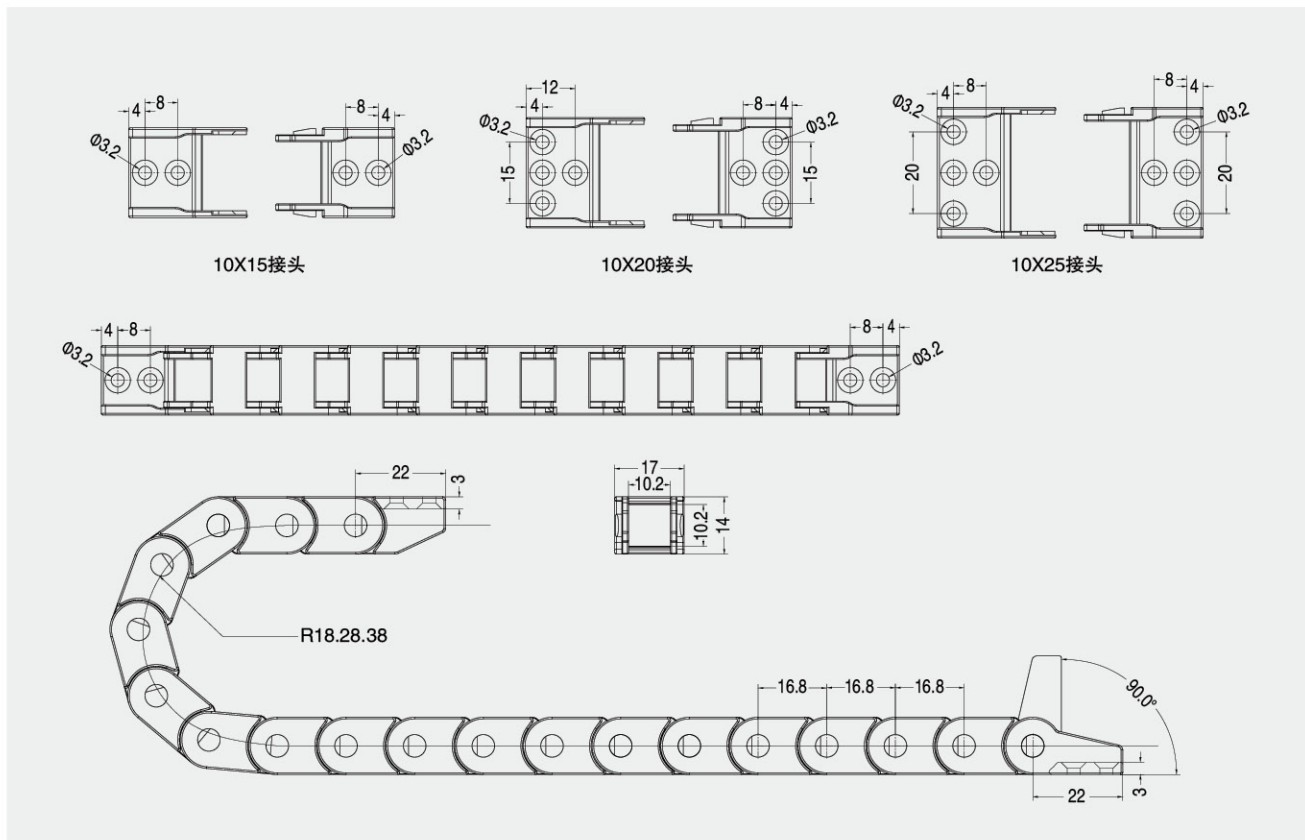
TLW系列 微型拖链

TLW series micro cable chains

TLW10系列 / TLW10 Series



| 型号 Type | 内腔(高 × 宽) Inside Diameter (height × width) (mm) | 外径(高 × 宽) Outside Diameter (height × width) (mm) | 弯曲半径(R) Bending radius (mm) | 节距 Pitch (mm) |
|------------|--|---|-----------------------------------|---------------------|
| TLW10.10 | 10 × 10 | 14 × 17 | 18.28.38 | 16.8 |
| TLW10.15 | 10 × 15 | 14 × 22 | 18.28.38 | 16.8 |
| TLW10.20 | 10 × 20 | 14 × 27 | 18.28.38 | 16.8 |
| TLW10.25 | 10 × 25 | 14 × 32 | 18.28.38 | 16.8 |



国际销售部 (International Sales Department):

电话 (Tel): +86-512-52503703 手机 (M.P): +86-17351130120 18913715738 [Http://www.kwld.com](http://www.kwld.com) E-mail: info@kwld.com



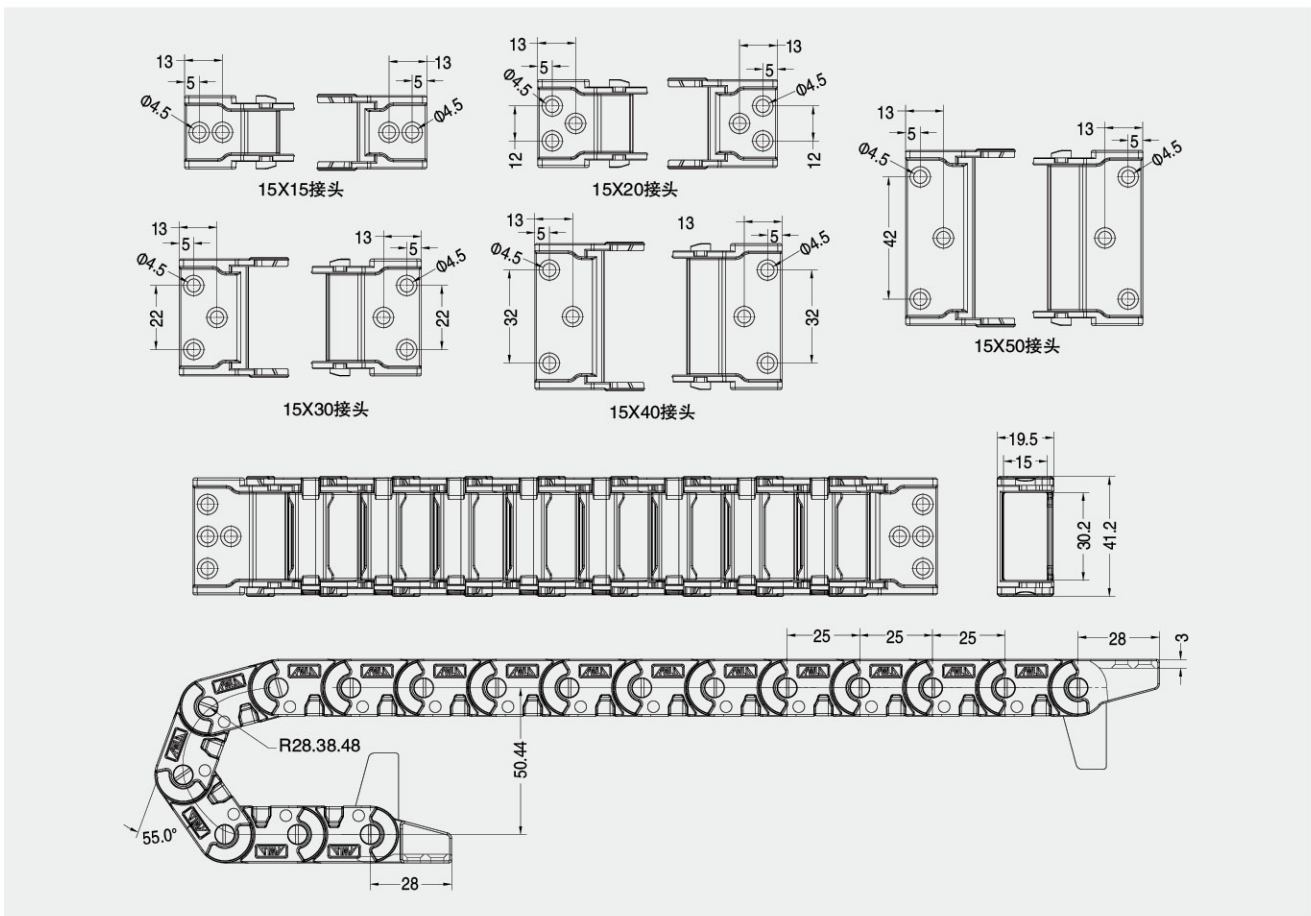
TLW系列 微型拖链

TLW series micro cable chains

TLW15系列 / TLW15 Series



| 型号 Type | 内腔(高 × 宽) Inside Diameter (height × width) (mm) | 外径(高 × 宽) Outside Diameter (height × width) (mm) | 弯曲半径(R) Bending radius (mm) | 节距 Pitch (mm) |
|------------|--|---|-----------------------------------|---------------------|
| TLW15.15 | 15 × 15 | 20 × 26.2 | 28.38.48 | 25 |
| TLW15.20 | 15 × 20 | 20 × 31.2 | 28.38.48 | 25 |
| TLW15.30 | 15 × 30 | 20 × 41.2 | 28.38.48 | 25 |
| TLW15.40 | 15 × 40 | 20 × 51.2 | 28.38.48 | 25 |
| TLW15.50 | 15 × 50 | 20 × 61.2 | 28.38.48 | 25 |



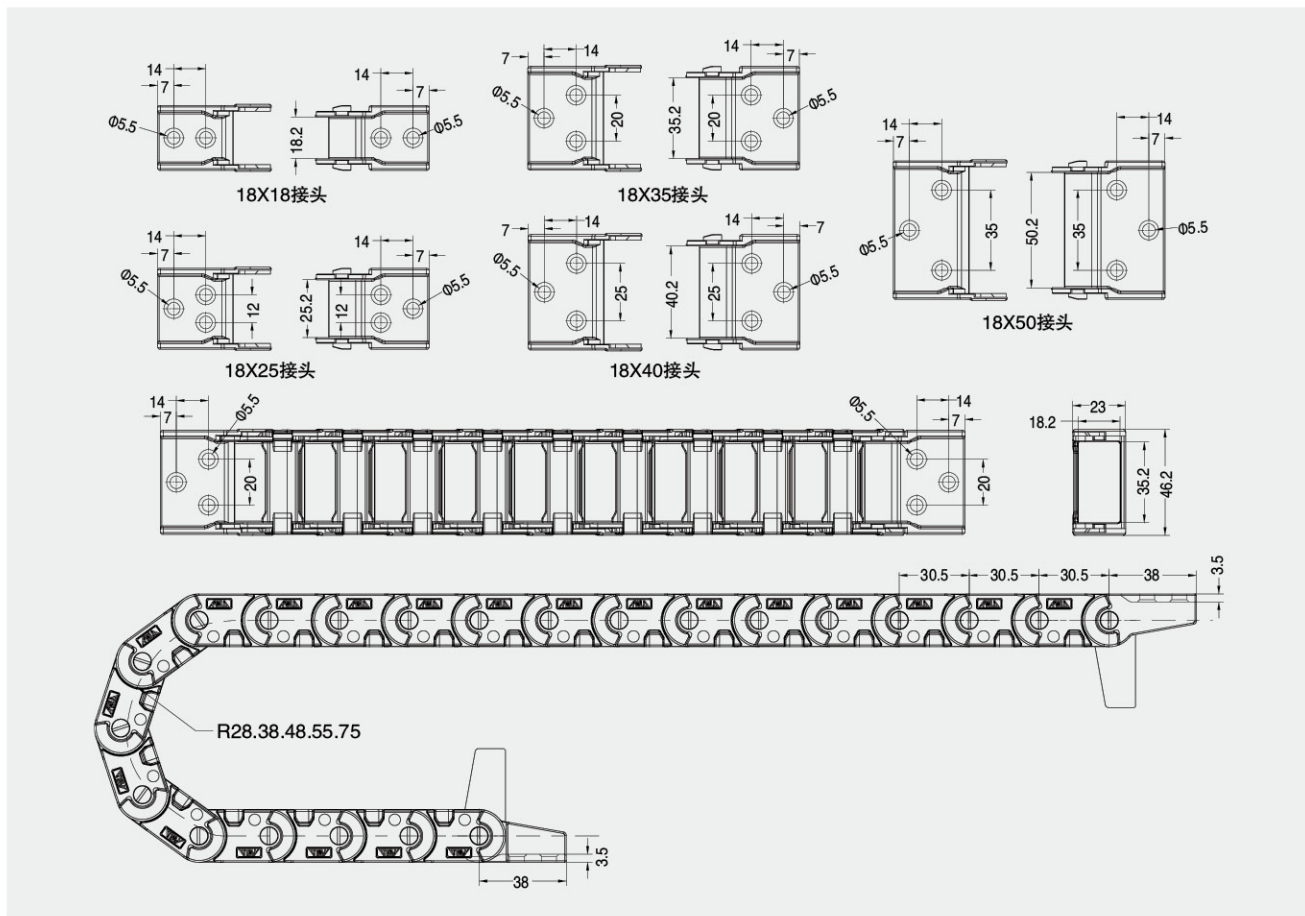
TLW系列 微型拖链

TLW series micro cable chains

TLW18系列 / TLW18 Series



| 型号 Type | 内腔(高×宽) Inside Diameter (height × width) (mm) | 外径(高×宽) Outside Diameter (height × width) (mm) | 弯曲半径(R) Bending radius (mm) | 节距 Pitch (mm) |
|------------|--|---|-----------------------------------|---------------------|
| TLW18.18 | 18 × 18 | 23 × 29 | 28.38.48.55.75 | 30.5 |
| TLW18.25 | 18 × 25 | 23 × 36 | 28.38.48.55.75 | 30.5 |
| TLW18.35 | 18 × 35 | 23 × 46 | 28.38.48.55.75 | 30.5 |
| TLW18.40 | 18 × 40 | 23 × 51 | 28.38.48.55.75 | 30.5 |
| TLW18.50 | 18 × 50 | 23 × 61 | 28.38.48.55.75 | 30.5 |



国际销售部 (International Sales Department):

电话 (Tel): +86-512-52503703 手机 (M.P): +86-17351130120 18913715738 [Http://www.kwld.com](http://www.kwld.com) E-mail: info@kwld.com



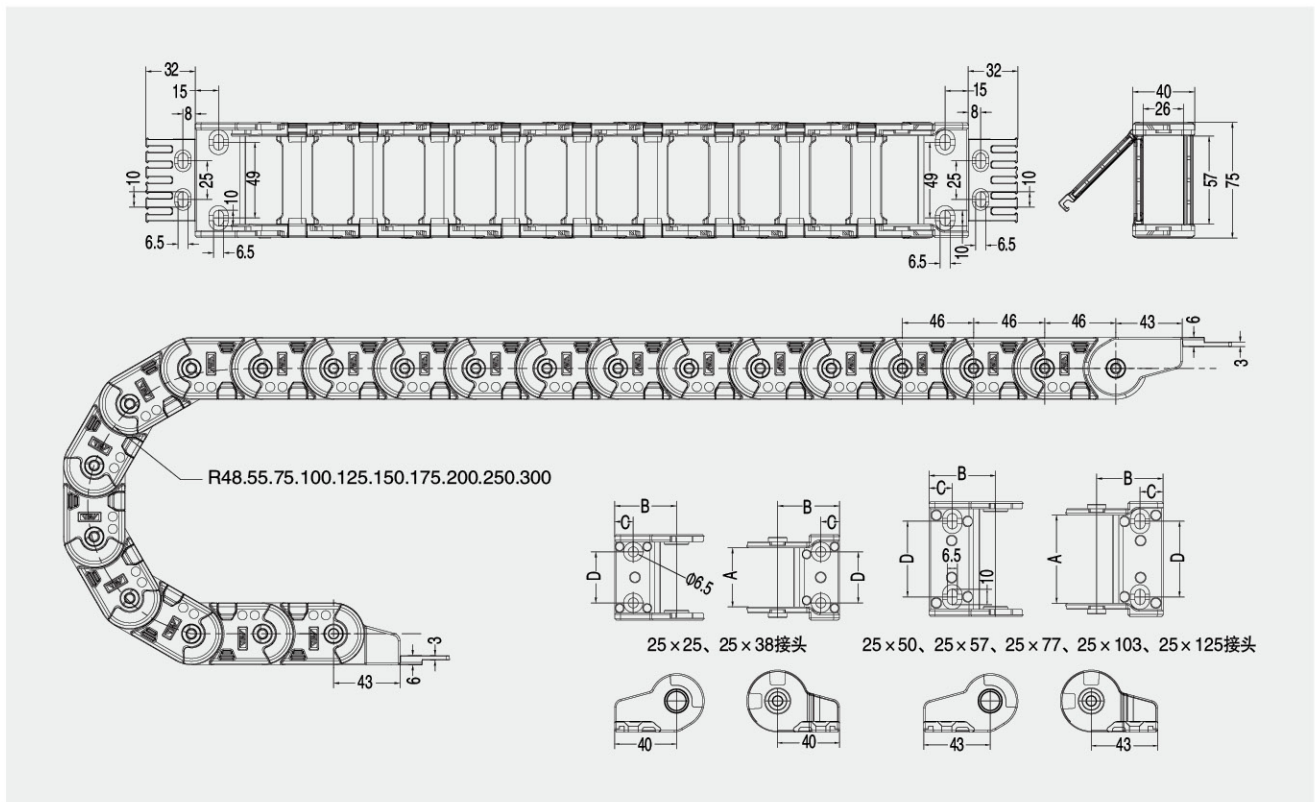
TLM系列 中型拖链

TLM series medium cable chains

TLM25A系列 / TLM25A Series



| 型号 Type | 内腔(高 × 宽) Inside Diameter (height × width) (mm) | 外径(高 × 宽) Outside Diameter (height × width) (mm) | 弯曲半径(R) Bending radius (mm) | 节距 Pitch (mm) |
|------------|--|---|--|---------------------|
| TLM25A.25 | 25 × 25 | 40 × 42 | 48.55.75.100.125. 150.175.200.250.300 | 46 |
| TLM25A.38 | 25 × 38 | 40 × 55 | | |
| TLM25A.50 | 25 × 50 | 40 × 67 | | |
| TLM25A.57 | 25 × 57 | 40 × 74 | | |
| TLM25A.75 | 25 × 75 | 40 × 92 | | |
| TLM25A.103 | 25 × 103 | 40 × 120 | | |
| TLM25A.125 | 25 × 125 | 40 × 142 | | |



TLM系列 中型拖链

TLM series medium cable chains

TLM25B系列 / TLM25B Series



| 型号 Type | 内腔(高 × 宽) Inside Diameter (height × width) (mm) | 外径(高 × 宽) Outside Diameter (height × width) (mm) | 弯曲半径(R) Bending radius (mm) | 节距 Pitch (mm) |
|------------|--|---|--|---------------------|
| TLM25B.25 | 25 × 25 | 40 × 49 | 桥式: 55.60.75.100.125.150 全封闭式: 75.100.125.150 | 45.5 |
| TLM25B.38 | 25 × 38 | 40 × 62 | | |
| TLM25B.50 | 25 × 50 | 40 × 74 | | |
| TLM25B.77 | 25 × 77 | 40 × 101 | | |
| TLM25B.103 | 25 × 103 | 40 × 127 | | |
| TLM25B.125 | 25 × 125 | 40 × 149 | | |

25 × 25、25 × 38接头

25 × 50、25 × 57、25 × 77、25 × 103、25 × 125接头

| 型号Type | A | B | C | D |
|------------|-----|----|----|-----|
| 25 斜式接头 | 25 | 40 | 12 | 20 |
| | 38 | | | 33 |
| | 50 | 43 | 15 | 42 |
| | 57 | | | 49 |
| | 77 | | | 65 |
| | 103 | | | 90 |
| | 125 | | | 112 |

国际销售部 (International Sales Department):

电话 (Tel): +86-512-52503703 手机 (M.P): +86-17351130120 18913715738 [Http://www.kwld.com](http://www.kwld.com) E-mail: info@kwld.com



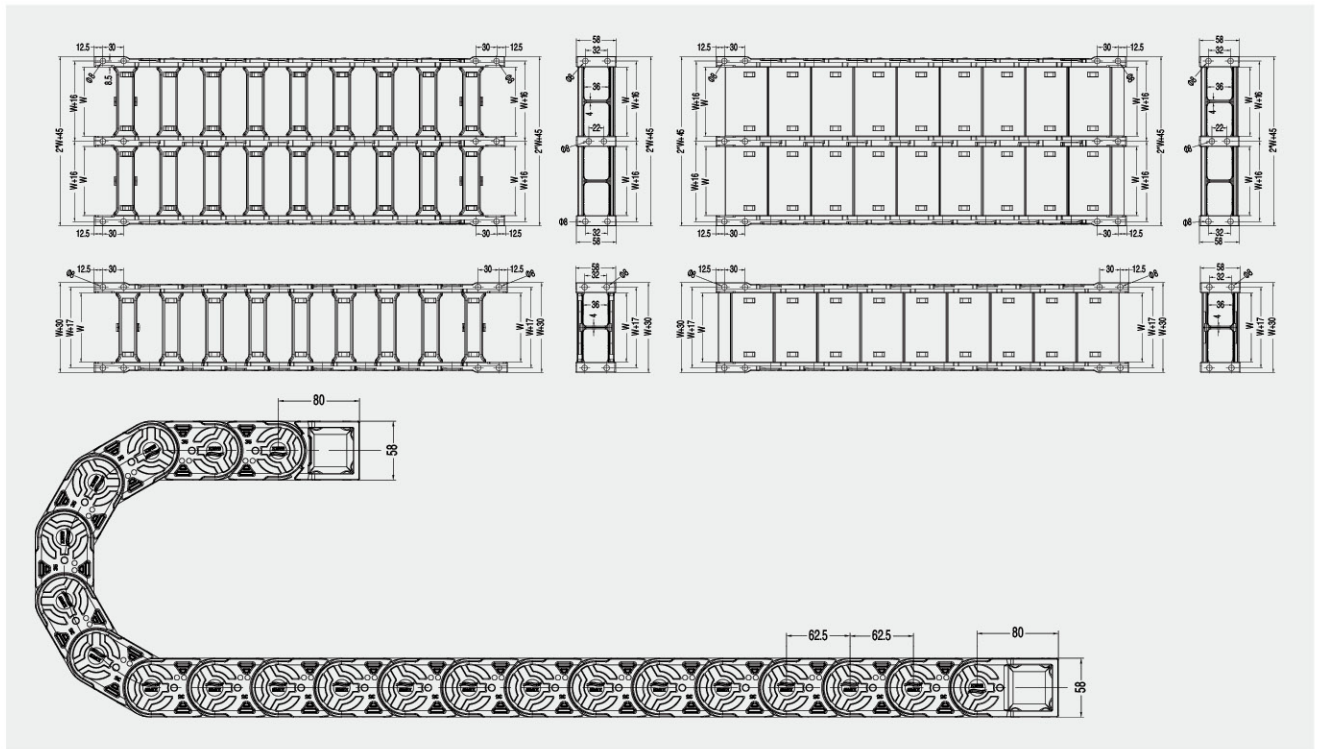
TLM系列 中型拖链

TLM series medium cable chains

TLM35系列 / TLM35 Series



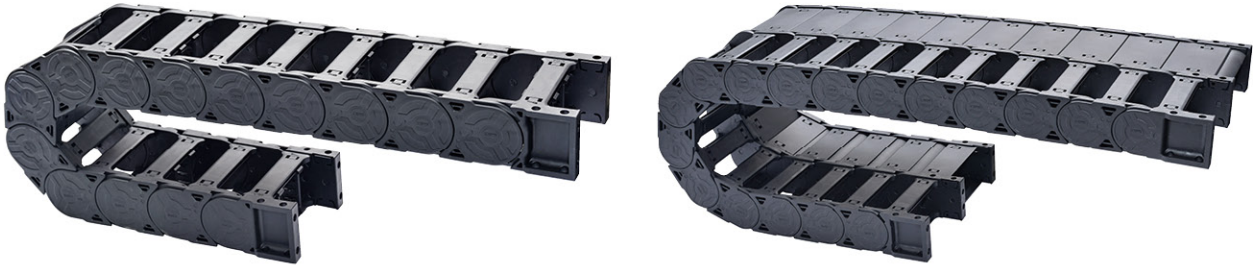
| 型号 Type | 内腔(高×宽) Inside Diameter (height × width) (mm) | 外径(高×宽) Outside Diameter (height × width) (mm) | | 弯曲半径(R) Bending radius (mm) | 节距 Pitch (mm) |
|------------|--|--|--------------|---|---------------------|
| | | 单联 | 并联 | | |
| TLM35.50 | 36 × 50 | 58 × 80 | 58 × 145+... | 桥式: 75.100.125.150. 175.200.250.300 全封闭式: 100.125.150.175. 200.250.300 | 62.5 |
| TLM35.60 | 36 × 60 | 58 × 90 | 58 × 165+... | | |
| TLM35.75 | 36 × 75 | 58 × 105 | 58 × 195+... | | |
| TLM35.100 | 36 × 100 | 58 × 130 | 58 × 245+... | | |
| TLM35.125 | 36 × 125 | 58 × 155 | 58 × 295+... | | |
| TLM35.150 | 36 × 150 | 58 × 180 | 58 × 345+... | | |
| TLM35.175 | 36 × 175 | 58 × 205 | 58 × 395+... | | |
| TLM35.200 | 36 × 200 | 58 × 230 | 58 × 445+... | | |



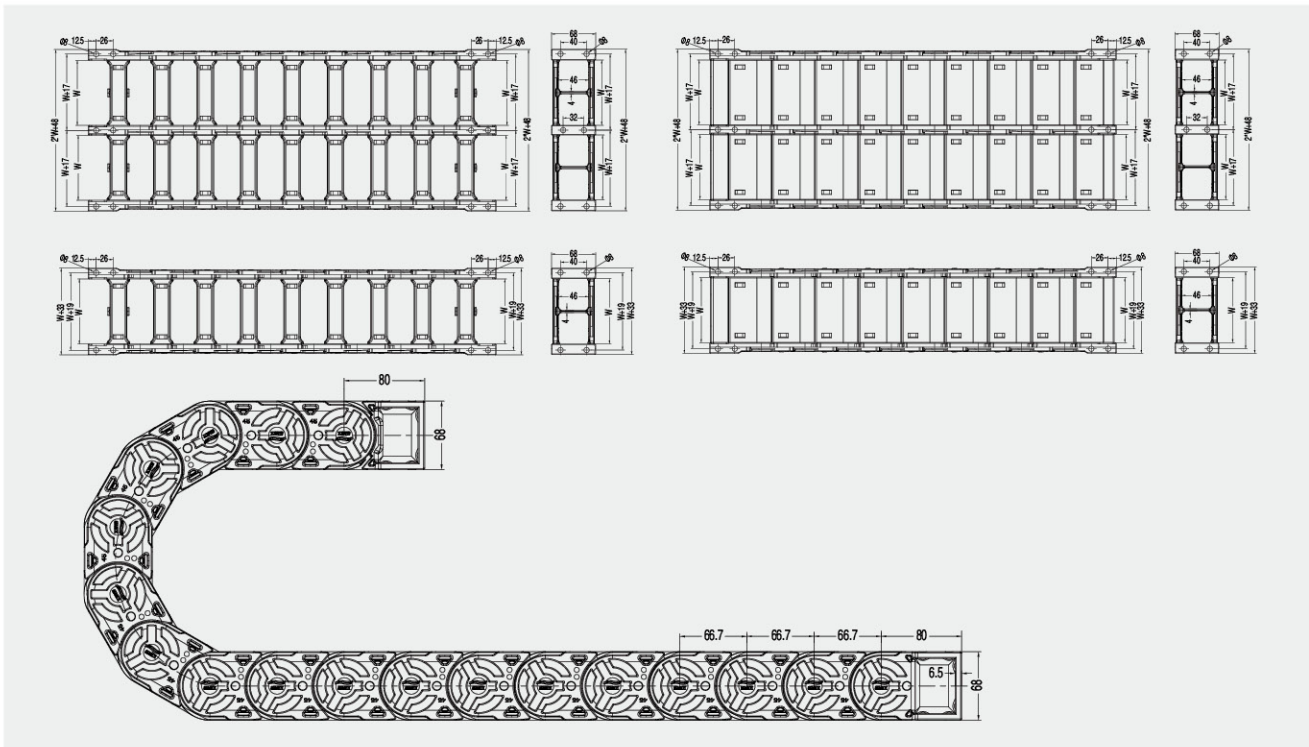
TLM系列 中型拖链

TLM series medium cable chains

TLM45系列 / TLM45 Series



| 型号 Type | 内腔(高×宽) Inside Diameter (height × width) (mm) | 外径(高×宽) Outside Diameter (height × width) (mm) | | 弯曲半径(R) Bending radius (mm) | 节距 Pitch (mm) |
|------------|--|--|--------------|---|---------------------|
| | | 单联 | 并联 | | |
| TLM45.50 | 46 × 50 | 68 × 83 | 68 × 148+... | 桥式: 75.100.125.150. 175.200.250.300 全封闭式: 100.125.150.175. 200.250.300 | 66.7 |
| TLM45.60 | 46 × 60 | 68 × 93 | 68 × 168+... | | |
| TLM45.75 | 46 × 75 | 68 × 108 | 68 × 198+... | | |
| TLM45.100 | 46 × 100 | 68 × 133 | 68 × 248+... | | |
| TLM45.125 | 46 × 125 | 68 × 158 | 68 × 298+... | | |
| TLM45.150 | 46 × 150 | 68 × 183 | 68 × 348+... | | |
| TLM45.175 | 46 × 175 | 68 × 208 | 68 × 398+... | | |
| TLM45.200 | 46 × 200 | 68 × 233 | 68 × 448+... | | |



国际销售部 (International Sales Department):

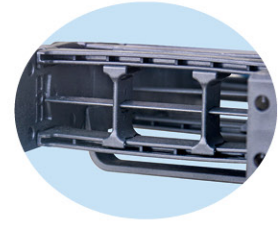
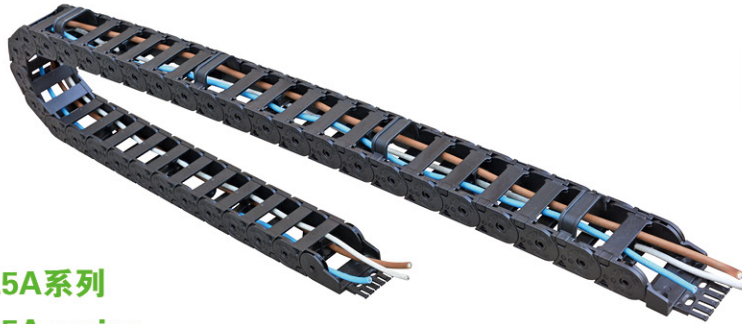
电话 (Tel): +86-512-52503703 手机 (M.P): +86-17351130120 18913715738 [Http://www.kwld.com](http://www.kwld.com) E-mail: info@kwld.com



TDG系列 多功能型 拖链

TDG series multifunctional cable chains

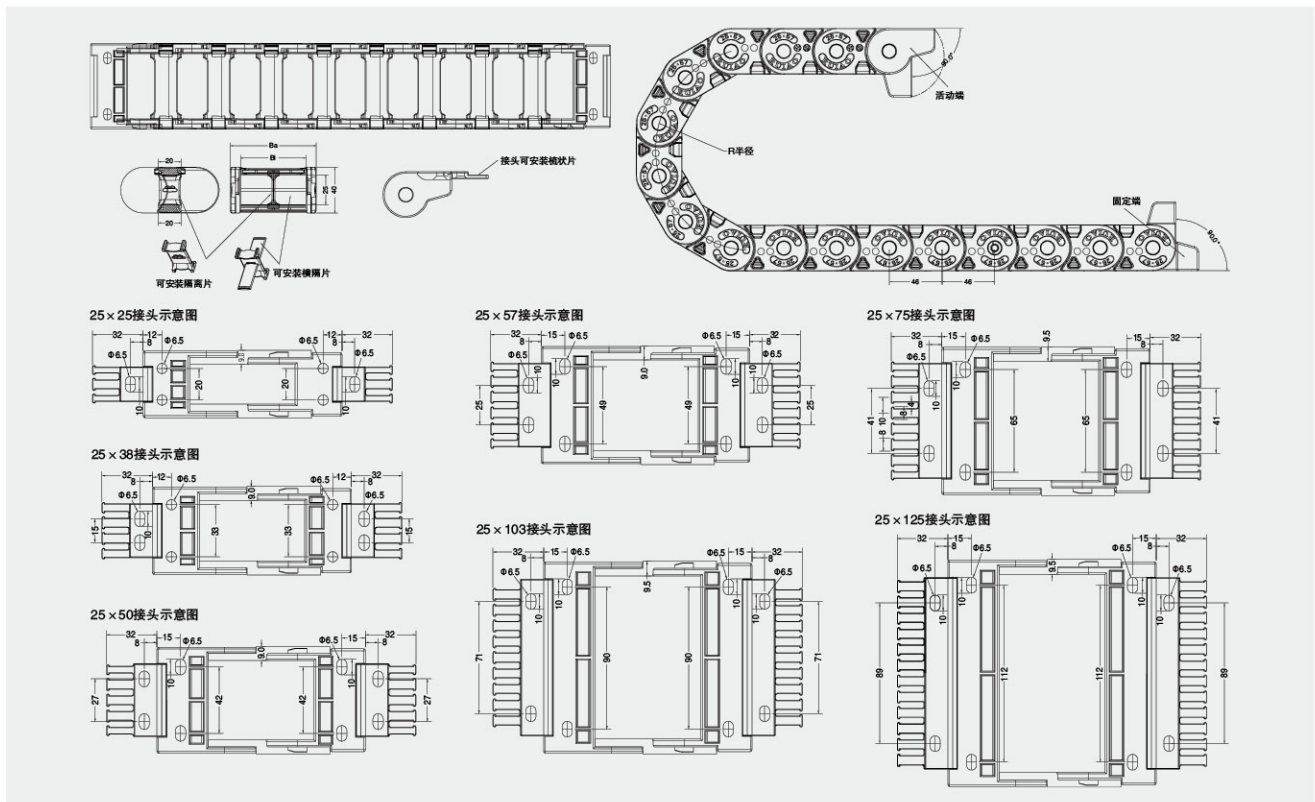
- 电气分隔
- 完美束线
- 合理固定
- 功能齐全



TDG25A系列 TDG25A series

可安装隔离片、横隔片

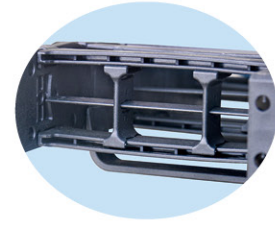
| 型号 Type | 内腔(高×宽) Inside Diameter (height × width) (mm) | 外径(高×宽) Outside Diameter (height × width) (mm) | 弯曲半径(R) Bending radius (mm) | 节距 Pitch (mm) | 型式 Type |
|------------|--|---|--|---------------------|--|
| TDG25A.25 | 25 × 25 | 40 × 43 | 48.55.75.100. 125.150.175. 200.250.300 | 46 | 桥式 内外开盖 Bridge type The inner and outer cover can be opened |
| TDG25A.38 | 25 × 38 | 40 × 56 | | | |
| TDG25A.50 | 25 × 50 | 40 × 68 | | | |
| TDG25A.57 | 25 × 57 | 40 × 75 | | | |
| TDG25A.75 | 25 × 75 | 40 × 94 | | | |
| TDG25A.103 | 25 × 103 | 40 × 122 | | | |
| TDG25A.125 | 25 × 125 | 40 × 144 | | | |



TDG系列 多功能型 拖链

TDG series multifunctional cable chains

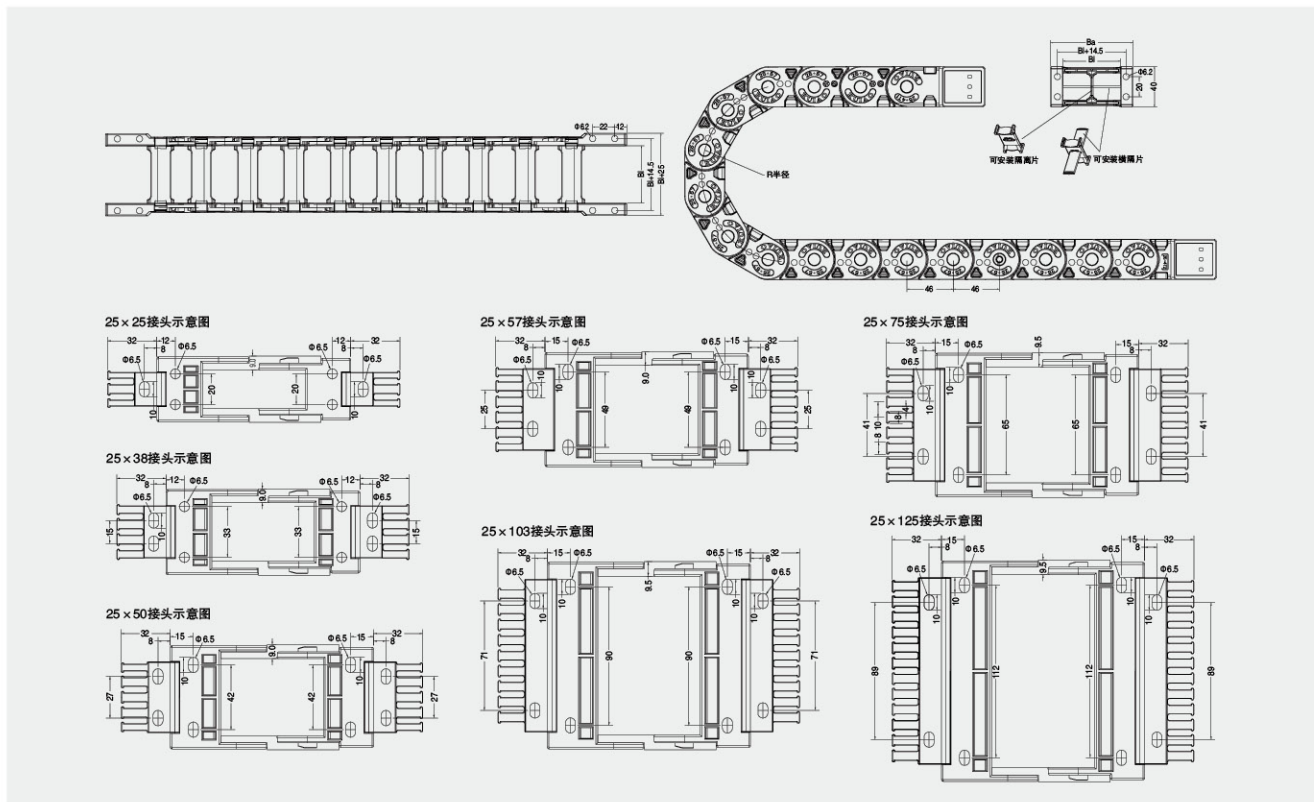
- 电气分隔
- 完美束线
- 合理固定
- 功能齐全



可安装隔离片、横隔片

TDG25B系列 TDG25B series

| 型号 Type | 内腔(高×宽) Inside Diameter (height × width) (mm) | 外径(高×宽) Outside Diameter (height × width) (mm) | 弯曲半径(R) Bending radius (mm) | 节距 Pitch (mm) | 型式 Type |
|------------|--|---|--|---------------------|--|
| TDG25B.25 | 25 × 25 | 40 × 50 | 48.55.75.100. 125.150.175. 200.250.300 | 46 | 桥式内外开盖 Bridge type The inner and outer cover can be opened |
| TDG25B.38 | 25 × 38 | 40 × 63 | | | |
| TDG25B.50 | 25 × 50 | 40 × 75 | | | |
| TDG25B.57 | 25 × 57 | 40 × 82 | | | |
| TDG25B.75 | 25 × 75 | 40 × 100 | | | |
| TDG25B.103 | 25 × 103 | 40 × 127 | | | |
| TDG25B.125 | 25 × 125 | 40 × 150 | | | |



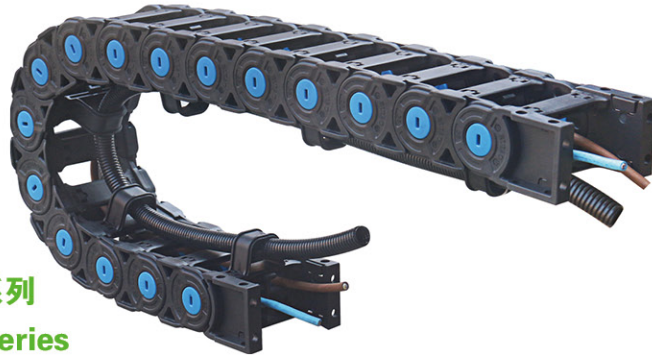
国际销售部 (International Sales Department):

电话 (Tel): +86-512-52503703 手机 (M.P): +86-17351130120 18913715738 Http://www.kwld.com E-mail: info@kwld.com



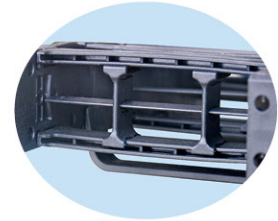
TDG系列 多功能型 拖链

TDG series multifunctional cable chains



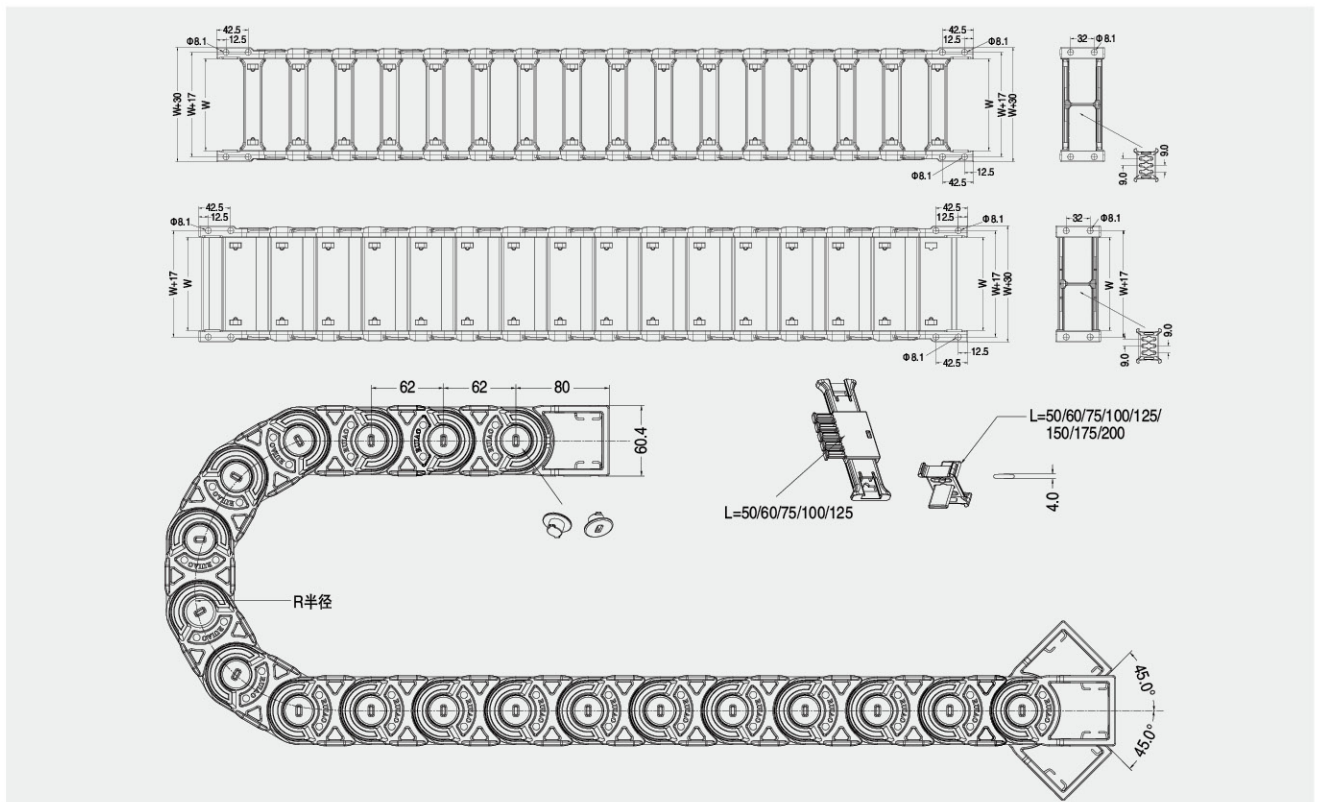
TDG35A系列
TDG35A series

- 电气分隔
- 完美束线
- 合理固定
- 功能齐全



可安装隔离片、横隔片

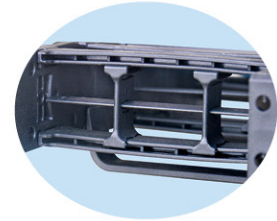
| 型号 Type | 内腔(高×宽) Inside Diameter (height × width) (mm) | 外径(高×宽) Outside Diameter (height × width) (mm) | 弯曲半径(R) Bending radius (mm) | 节距 Pitch (mm) | 型式 Type |
|------------|--|---|--|---------------------|--|
| TDG35A.50 | 35 × 50 | 60.4 × 80 | 桥式: 75.100.125.150. 175.200.250.300 全封闭式: 100.125.150.175. 200.250.300 全封闭式弯曲半径 100.125不可安装隔离片 | 62 | 桥式 全封闭式 内外开盖 Bridge type Totally enclosed The inner and outer cover can be opened |
| TDG35A.60 | 35 × 60 | 60.4 × 90 | | | |
| TDG35A.75 | 35 × 75 | 60.4 × 105 | | | |
| TDG35A.100 | 35 × 100 | 60.4 × 130 | | | |
| TDG35A.125 | 35 × 125 | 60.4 × 155 | | | |
| TDG35A.150 | 35 × 150 | 60.4 × 180 | | | |
| TDG35A.175 | 35 × 175 | 60.4 × 205 | | | |
| TDG35A.200 | 35 × 200 | 60.4 × 230 | | | |



TDG系列 多功能型 拖链

TDG series multifunctional cable chains

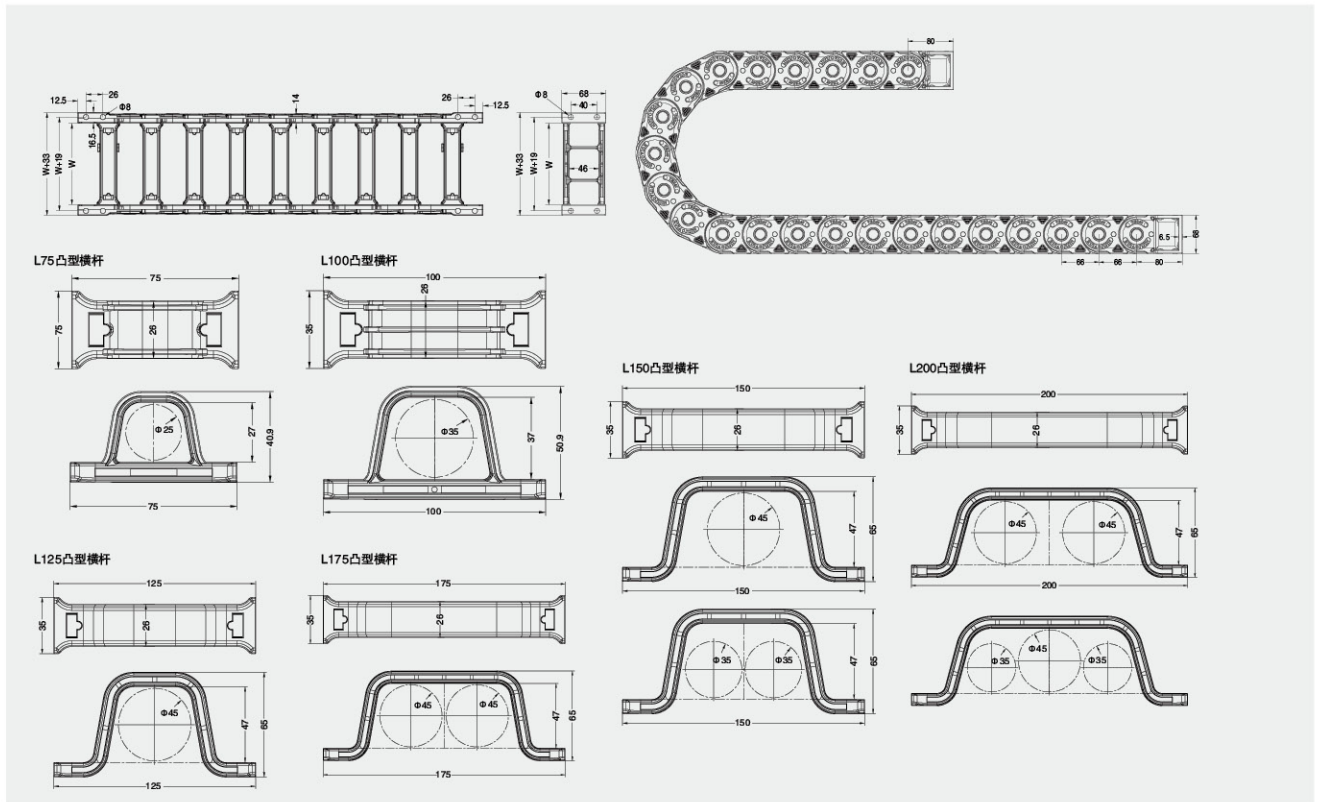
- 电气分隔
- 完美束线
- 合理固定
- 功能齐全



TDG45A系列 TDG45A series

可安装隔离片、横隔片

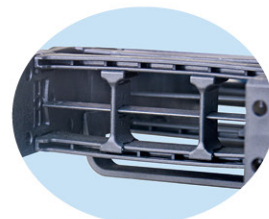
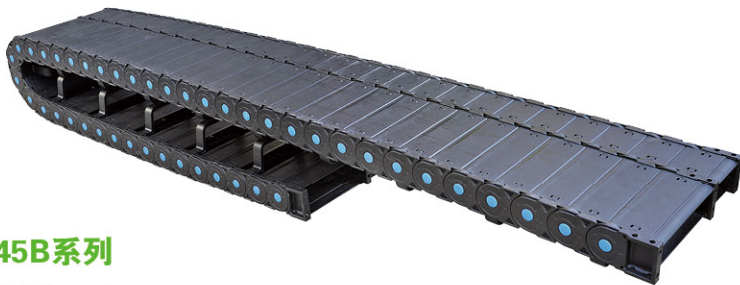
| 型号 Type | 内腔(高×宽) Inside Diameter (height × width) (mm) | 外径(高×宽) Outside Diameter (height × width) (mm) | 弯曲半径(R) Bending radius (mm) | 节距 Pitch (mm) | 型式 Type |
|------------|--|---|------------------------------------|---------------------|--|
| TDG45A.50 | 45 × 50 | 68 × 83 | 75.100.125. 150.175.200. 250 | 66 | 桥式 全封闭式 内外开盖 Bridge type Totally enclosed The inner and outer cover can be opened |
| TDG45A.60 | 45 × 60 | 68 × 93 | | | |
| TDG45A.75 | 45 × 75 | 68 × 108 | | | |
| TDG45A.100 | 45 × 100 | 68 × 133 | | | |
| TDG45A.125 | 45 × 125 | 68 × 158 | | | |
| TDG45A.150 | 45 × 150 | 68 × 183 | | | |
| TDG45A.175 | 45 × 175 | 68 × 208 | | | |
| TDG45A.200 | 45 × 200 | 68 × 233 | | | |



TDG系列 多功能型 拖链

TDG series multifunctional cable chains

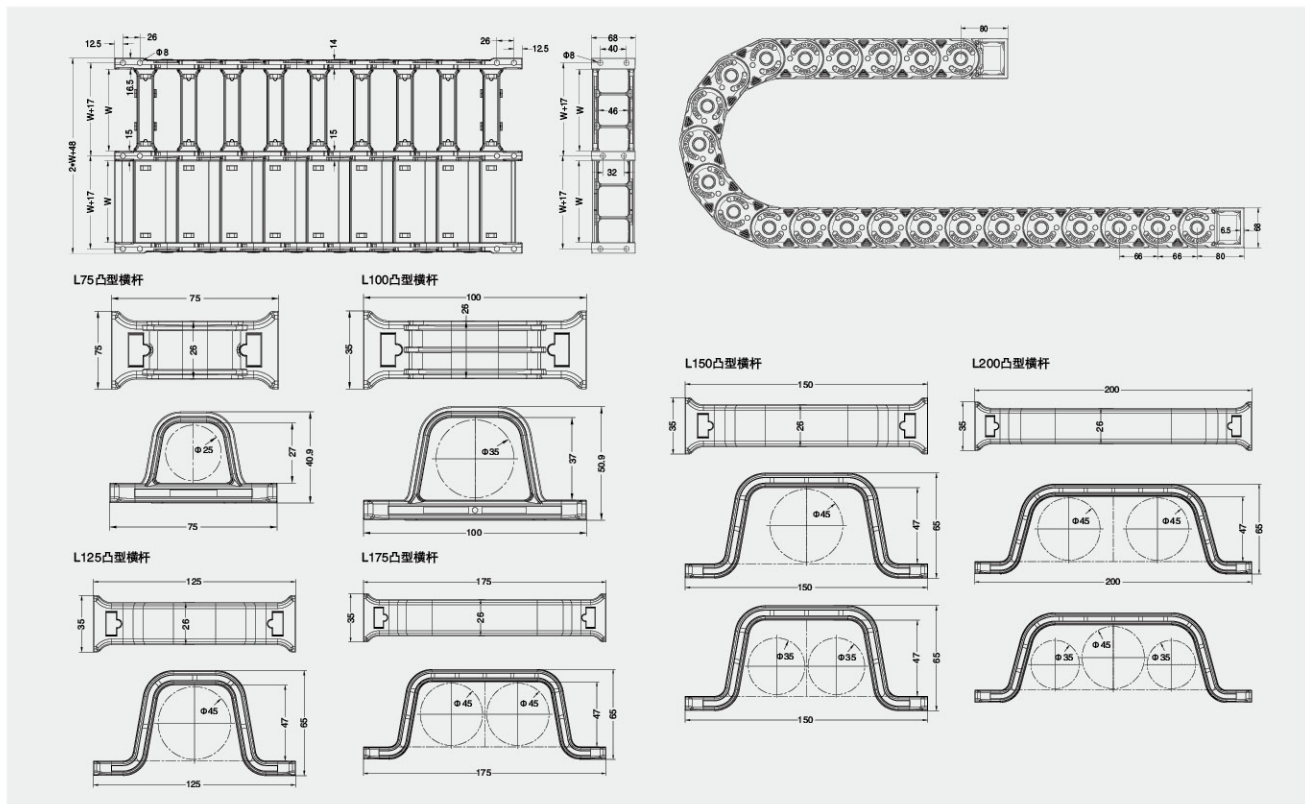
- 电气分隔
- 完美束线
- 合理固定
- 功能齐全



可安装隔离片、横隔片

TDG45B系列 TDG45B series

| 型号 Type | 内腔(高×宽) Inside Diameter (height × width) (mm) | 外径(高×宽) Outside Diameter (height × width) (mm) | 弯曲半径(R) Bending radius (mm) | 节距 Pitch (mm) | 型式 Type |
|------------|--|---|------------------------------------|---------------------|--|
| TDG45B.50 | 45 × 50 | 68 × 98... | 75.100.125. 150.175.200. 250 | 66 | 桥式 全封闭式 内外开盖 Bridge type Totally enclosed The inner and outer cover can be opened |
| TDG45B.60 | 45 × 60 | 68 × 108... | | | |
| TDG45B.75 | 45 × 75 | 68 × 123... | | | |
| TDG45B.100 | 45 × 100 | 68 × 148... | | | |
| TDG45B.125 | 45 × 125 | 68 × 173... | | | |
| TDG45B.150 | 45 × 150 | 68 × 198... | | | |
| TDG45B.175 | 45 × 175 | 68 × 223... | | | |
| TDG45B.200 | 45 × 200 | 68 × 248... | | | |



国际销售部 (International Sales Department):

电话 (Tel): +86-512-52503703 手机 (M.P): +86-17351130120 18913715738 Http://www.kwld.com E-mail: info@kwld.com



TLJ系列 静音型 拖链

TLJ series anti-noise cable chains

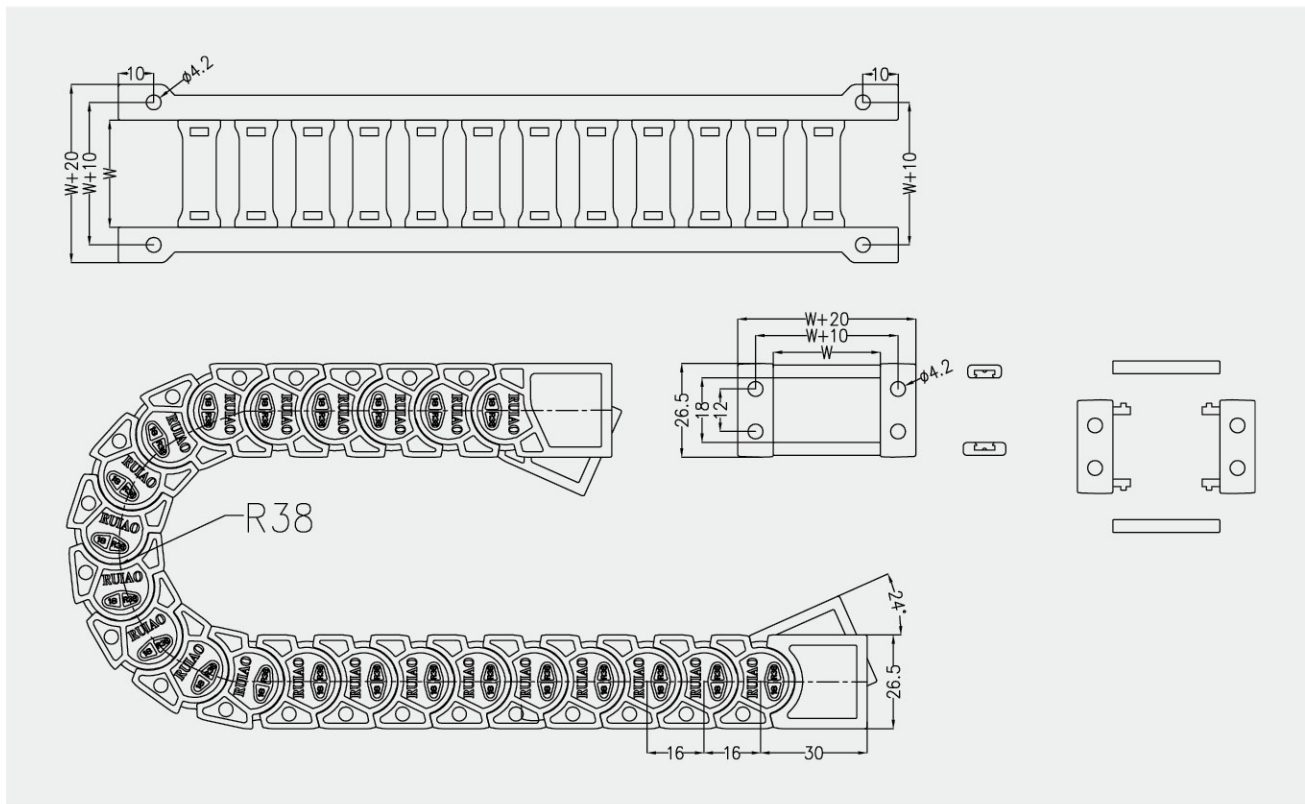


- 安全束线
- 宁静运行
- 外形美观
- 阻力极小

TLJ18K系列

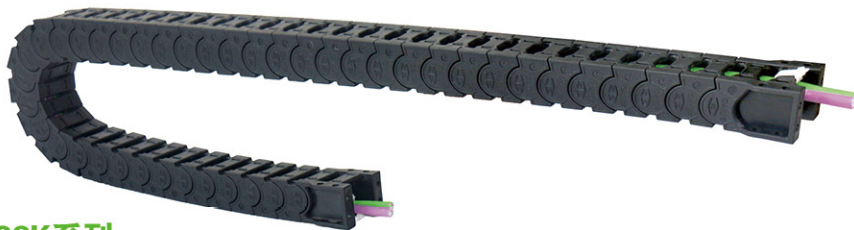
TLJ18K series

| 型号 Type | 内腔(高 × 宽) Inside Diameter (height × width) (mm) | 外径(高 × 宽) Outside Diameter (height × width) (mm) | 弯曲半径(R) Bending radius (mm) | 节距 Pitch (mm) |
|------------|--|---|-----------------------------------|---------------------|
| TLJ18K.20 | 18 × 20 | 26.5 × 34.5 | 38 | 16 |
| TLJ18K.30 | 18 × 30 | 26.5 × 44.5 | | |
| TLJ18K.40 | 18 × 40 | 26.5 × 54.5 | | |
| TLJ18K.50 | 18 × 50 | 26.5 × 64.5 | | |
| TLJ18K.60 | 18 × 60 | 26.5 × 74.5 | | |



TLJ系列 静音型 拖链

TLJ series anti-noise cable chains

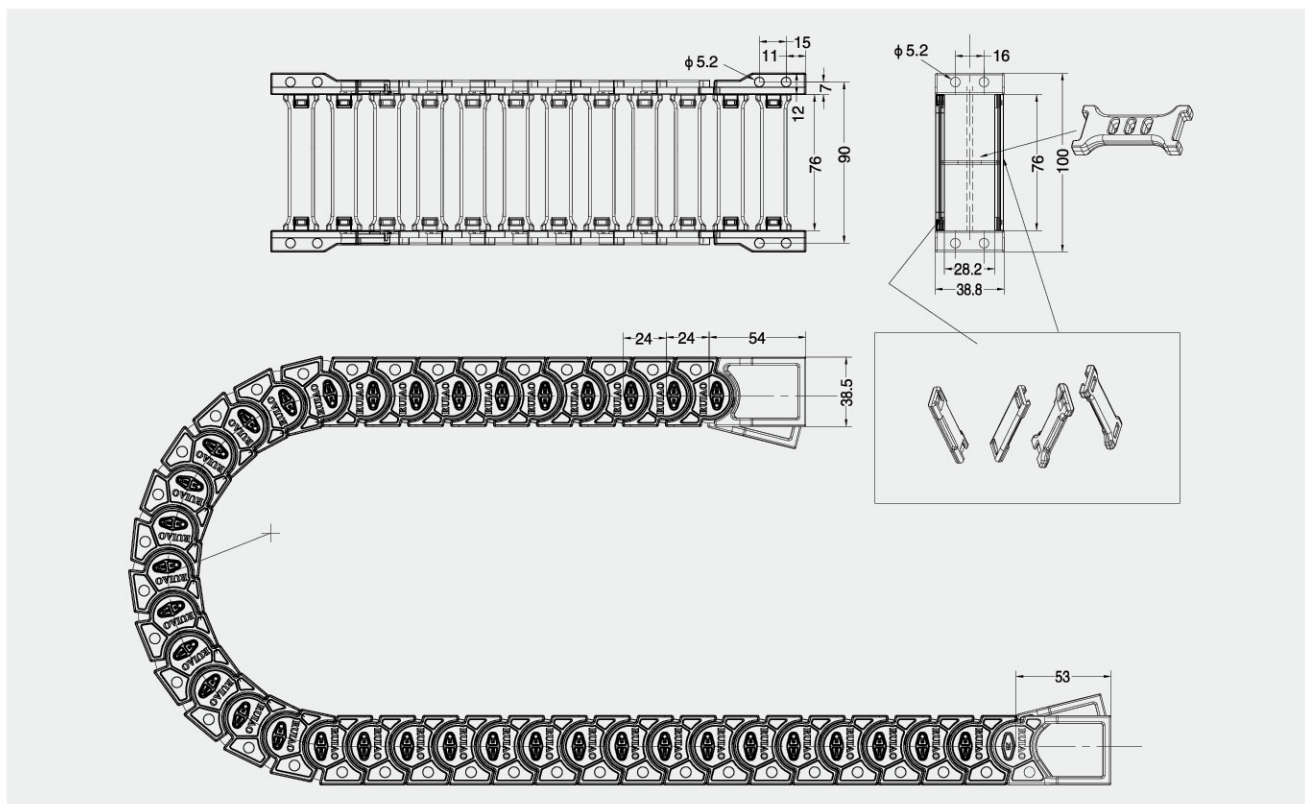


- 安全束线
- 宁静运行
- 外形美观
- 阻力极小

TLJ28K系列

TLJ28K series

| 型号 Type | 内腔(高 × 宽) Inside Diameter (height × width) (mm) | 外径(高 × 宽) Outside Diameter (height × width) (mm) | 弯曲半径(R) Bending radius (mm) | 节距 Pitch (mm) |
|------------|--|---|-----------------------------------|---------------------|
| TLJ28K.30 | 28 × 31 | 38.8 × 47 | 55.75.100 | 24 |
| TLJ28K.50 | 28 × 51 | 38.8 × 67 | | |
| TLJ28K.75 | 28 × 76 | 38.8 × 92 | | |
| TLJ28K.100 | 28 × 101 | 38.8 × 117 | | |
| TLJ28K.120 | 28 × 121 | 38.8 × 137 | | |



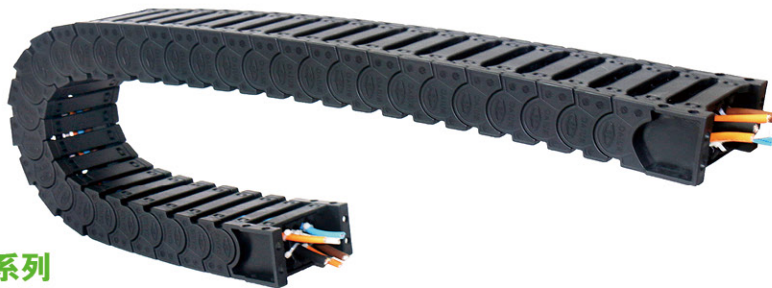
国际销售部 (International Sales Department):

电话 (Tel): +86-512-52503703 手机 (M.P): +86-17351130120 18913715738 [Http://www.kwld.com](http://www.kwld.com) E-mail: info@kwld.com



TLJ系列 静音型 拖链

TLJ series anti-noise cable chains

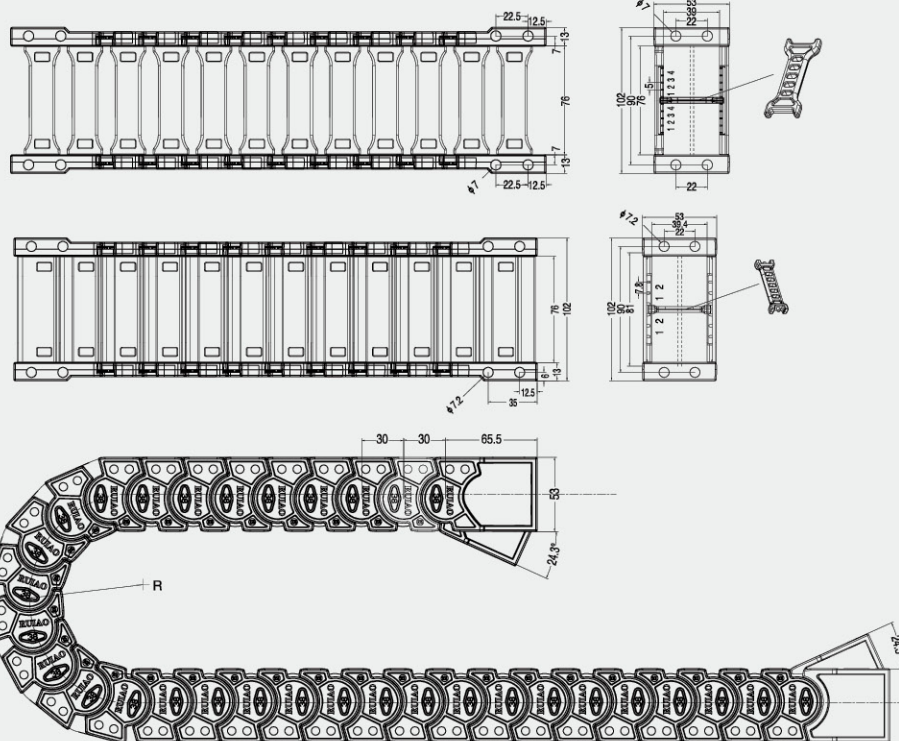


- 安全束线
- 宁静运行
- 外形美观
- 阻力极小

TLJ38K系列

TLJ38K series

| 型号 Type | 内腔(高 × 宽) Inside Diameter (height × width) (mm) | 外径(高 × 宽) Outside Diameter (height × width) (mm) | 弯曲半径(R) Bending radius (mm) | 节距 Pitch (mm) |
|------------|--|---|---|---------------------|
| TLJ38K.50 | 38 × 51 | 53 × 72 | 桥式: 75.100.125.150.200 全封闭式: 125.150.200 | 30 |
| TLJ38K.75 | 38 × 76 | 53 × 97 | | |
| TLJ38K.100 | 38 × 101 | 53 × 122 | | |
| TLJ38K.150 | 38 × 151 | 53 × 172 | | |
| TLJ38K.175 | 38 × 176 | 53 × 197 | | |



TLJ系列 静音型 拖链

TLJ series anti-noise cable chains

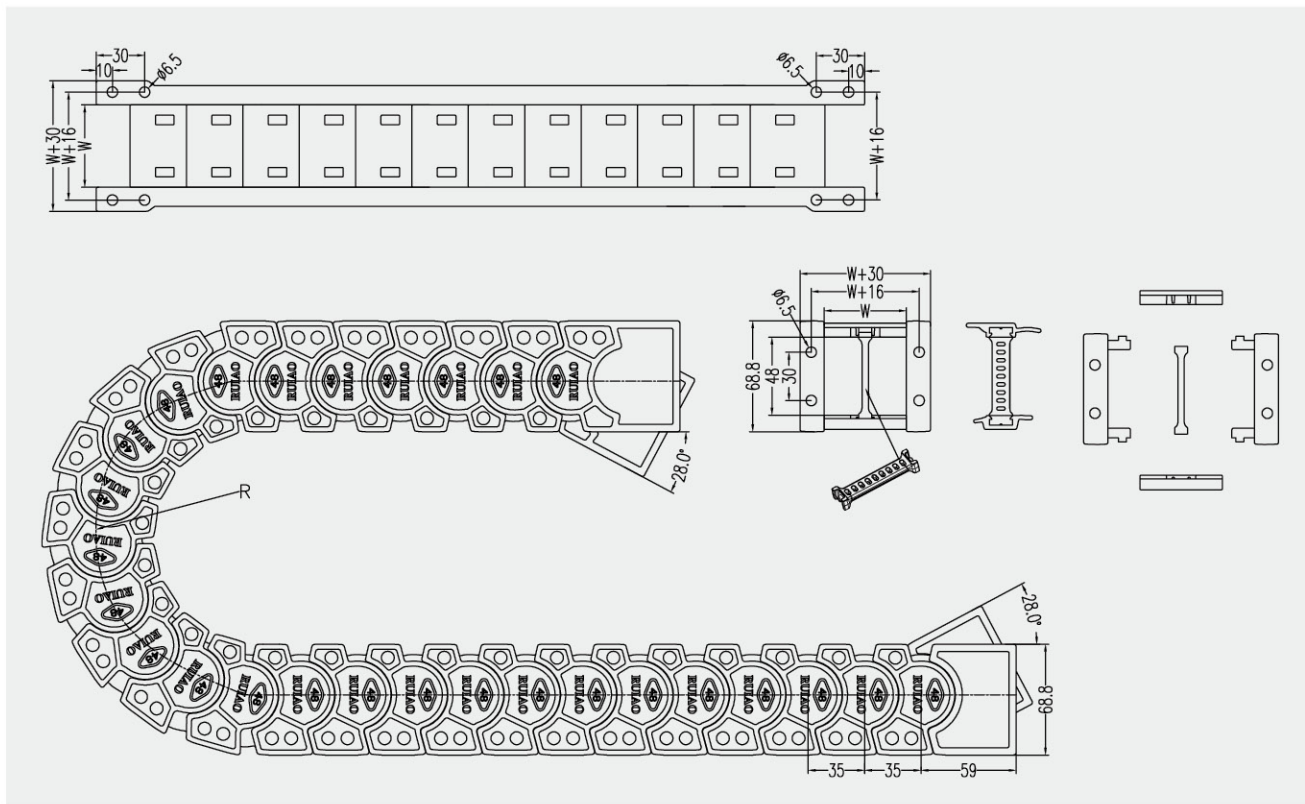


- 安全束线
- 宁静运行
- 外形美观
- 阻力极小

TLJ48F系列

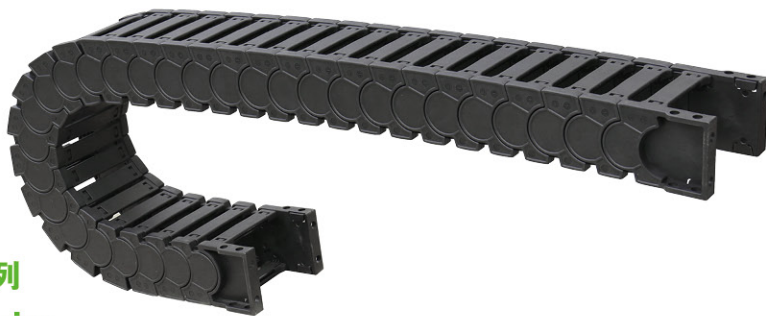
TLJ48F series

| 型号 Type | 内腔(高 × 宽) Inside Diameter (height × width) (mm) | 外径(高 × 宽) Outside Diameter (height × width) (mm) | 弯曲半径(R) Bending radius (mm) | 节距 Pitch (mm) |
|------------|--|---|-----------------------------------|---------------------|
| TLJ48F.50 | 48 × 51 | 68 × 75 | 150.200.250 | 35 |
| TLJ48F.75 | 48 × 76 | 68 × 100 | | |
| TLJ48F.100 | 48 × 101 | 68 × 125 | | |
| TLJ48F.125 | 48 × 126 | 68 × 150 | | |
| TLJ48F.150 | 48 × 151 | 68 × 175 | | |
| TLJ48F.175 | 48 × 176 | 68 × 200 | | |



TLJ系列 静音型 拖链

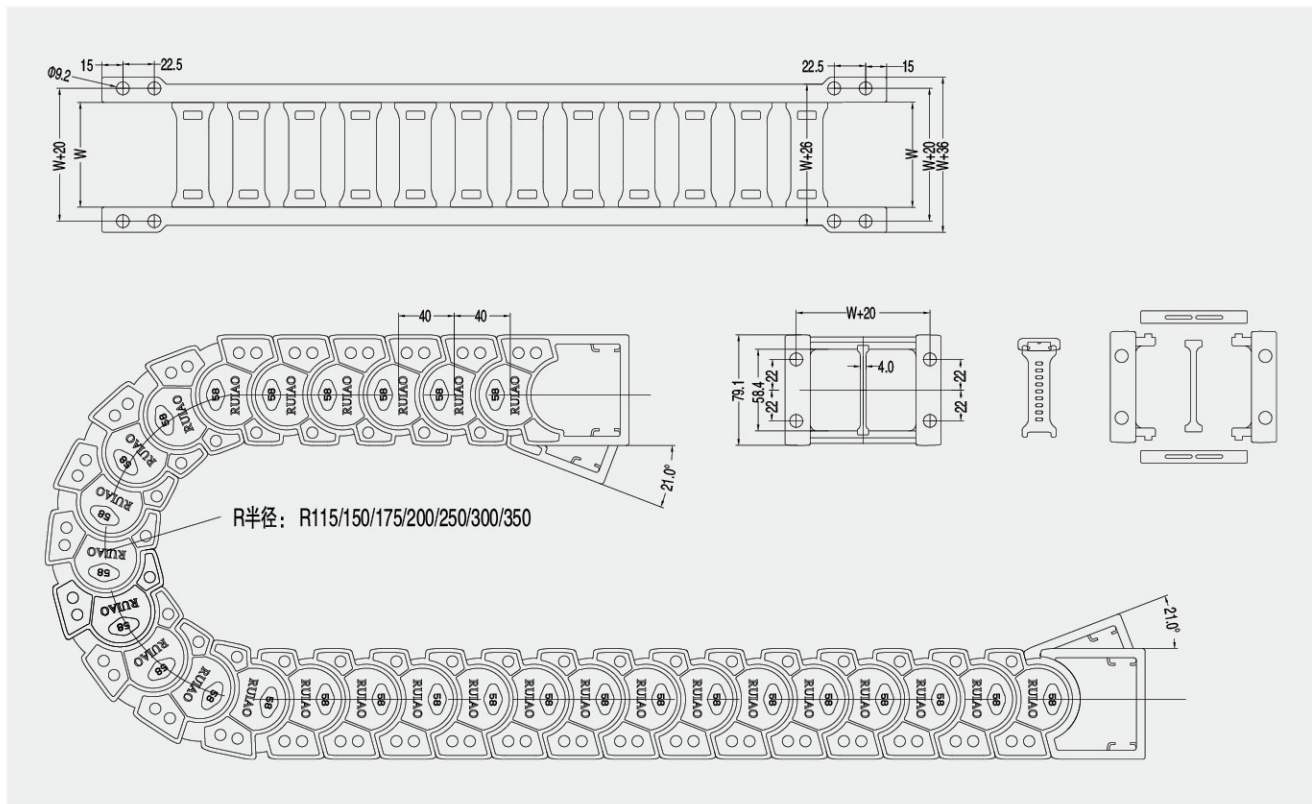
TLJ series anti-noise cable chains



TLJ58K系列
TLJ58K series

- 安全束线
- 宁静运行
- 外形美观
- 阻力极小

| 型号 Type | 内腔(高 × 宽) Inside Diameter (height × width) (mm) | 外径(高 × 宽) Outside Diameter (height × width) (mm) | 弯曲半径(R) Bending radius (mm) | 节距 Pitch (mm) |
|------------|--|---|-----------------------------------|---------------------|
| TLJ58K.75 | 58 × 75 | 79 × 101 | 115.150.175. 200.250.300.350 | 40 |
| TLJ58K.100 | 58 × 100 | 79 × 126 | | |
| TLJ58K.125 | 58 × 125 | 79 × 151 | | |
| TLJ58K.150 | 58 × 150 | 79 × 176 | | |
| TLJ58K.175 | 58 × 175 | 79 × 201 | | |
| TLJ58K.200 | 58 × 200 | 79 × 226 | | |



国际销售部 (International Sales Department):

电话 (Tel): +86-512-52503703 手机 (M.P): +86-17351130120 18913715738 [Http://www.kwld.com](http://www.kwld.com) E-mail: info@kwld.com



TLJ系列 静音型 拖链

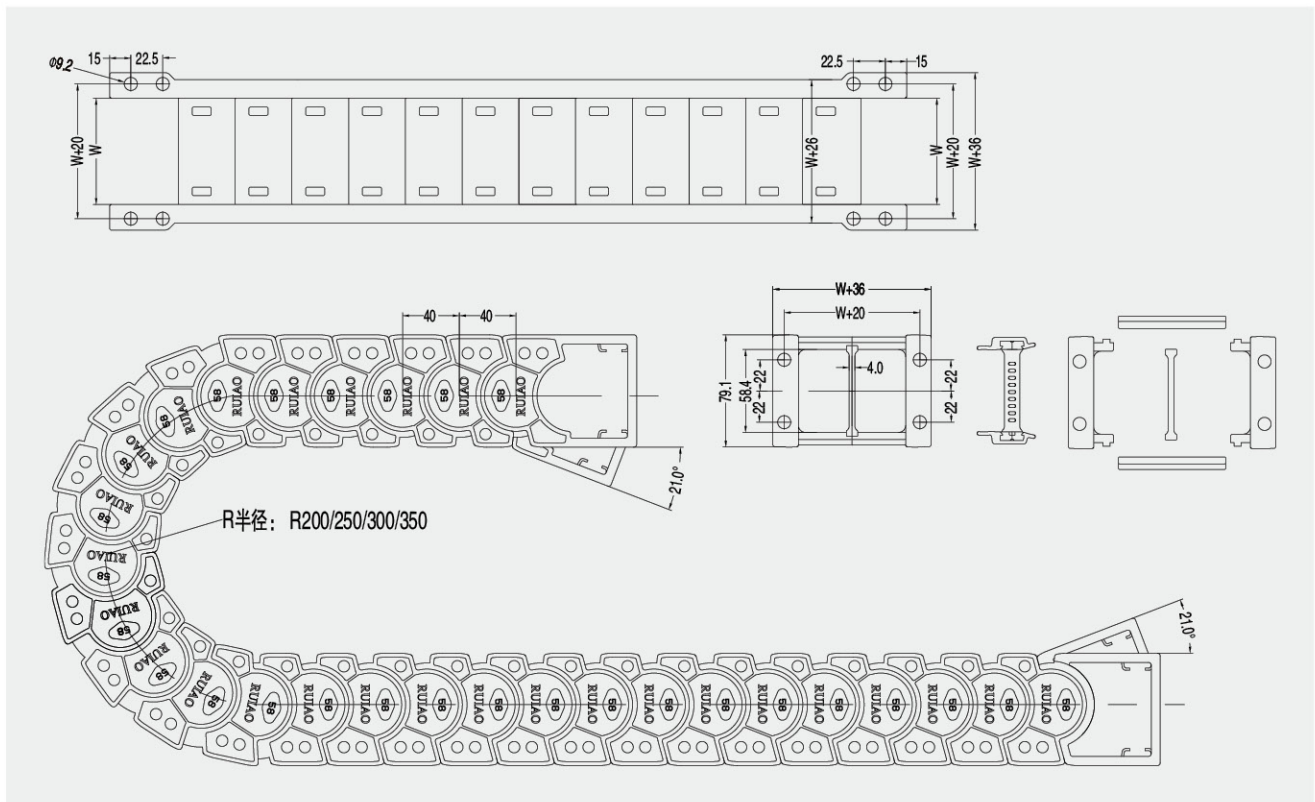
TLJ series anti-noise cable chains



- 安全束线
- 宁静运行
- 外形美观
- 阻力极小

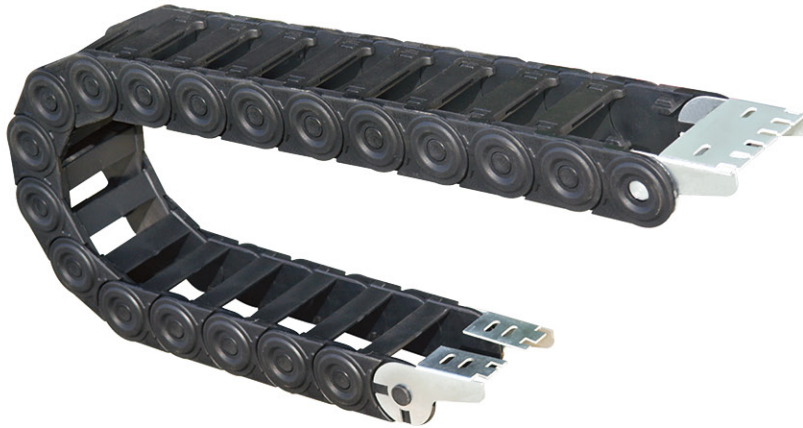
TLJ58F系列
TLJ58F series

| 型号 Type | 内腔(高 × 宽) Inside Diameter (height × width) (mm) | 外径(高 × 宽) Outside Diameter (height × width) (mm) | 弯曲半径(R) Bending radius (mm) | 节距 Pitch (mm) |
|------------|--|---|-----------------------------------|---------------------|
| TLJ58F.75 | 58 × 75 | 79 × 101 | 200.250.300.350 | 40 |
| TLJ58F.100 | 58 × 100 | 79 × 126 | | |
| TLJ58F.125 | 58 × 125 | 79 × 151 | | |
| TLJ58F.150 | 58 × 150 | 79 × 176 | | |
| TLJ58F.175 | 58 × 175 | 79 × 201 | | |
| TLJ58F.200 | 58 × 200 | 79 × 226 | | |



TLZ系列 承重超长型 拖链

TLZ series load-bearing and over-length cable chains



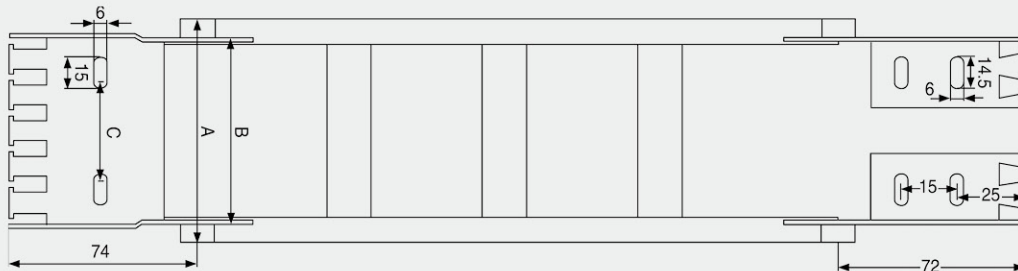
TLZ35系列 TLZ35 Series

| 型号 Type | 规格 Spec. | 外径(mm) Outside Diameter | 弯曲半径(R) Bending radius(mm) | 材质 Material |
|------------|-------------|----------------------------|-------------------------------|----------------|
| TLZ35.50 | 35 × 50 | 51 × 73.5 | 75.100 | 增强尼龙 PA66 |
| TLZ35.75 | 35 × 75 | 51 × 99 | | |
| TLZ35.100 | 35 × 100 | 51 × 124 | | |



| 型号 Type | A | B | C |
|------------|-----|-----|----|
| TLZ35.50 | 71 | 61 | 37 |
| TLZ35.75 | 97 | 87 | 64 |
| TLZ35.100 | 122 | 111 | 90 |

连接器示意图 A sketch for connecting device



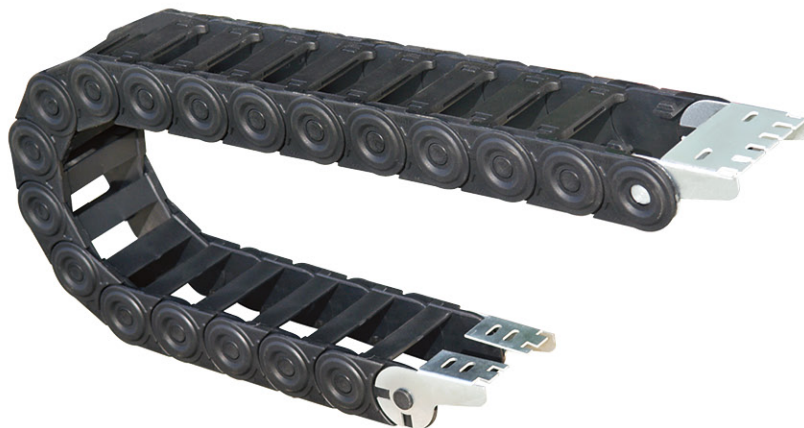
国际销售部 (International Sales Department):

电话 (Tel): +86-512-52503703 手机 (M.P.): +86-17351130120 18913715738 [Http://www.kwld.com](http://www.kwld.com) E-mail: info@kwld.com



TLZ系列 承重超长型 拖链

TLZ series load-bearing and over-length cable chains



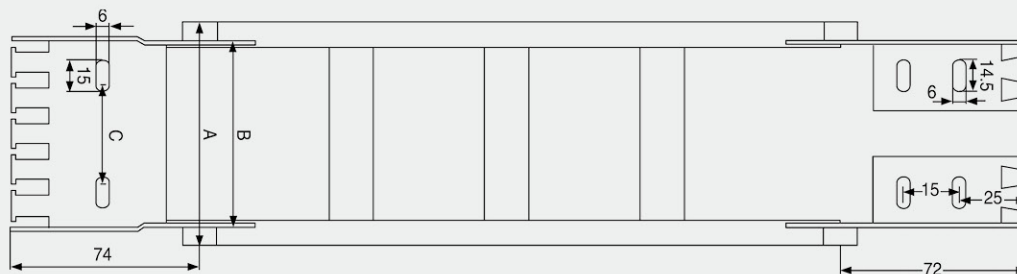
TLZ45系列 TLZ45 Series

| 型号 Type | 规格 Spec. | 外径(mm) Outside Diameter | 弯曲半径(R) Bending radius(mm) | 材质 Material |
|------------|-------------|----------------------------|-------------------------------|----------------|
| TLZ45.50 | 45 × 50 | 62 × 75 | 100.125 | 增强尼龙 PA66 |
| TLZ45.75 | 45 × 75 | 62 × 101 | | |
| TLZ45.100 | 45 × 100 | 62 × 126 | | |



| 型号 Type | A | B | C |
|------------|-----|-----|----|
| TLZ45.50 | 71 | 61 | 37 |
| TLZ45.75 | 97 | 87 | 64 |
| TLZ45.100 | 122 | 111 | 90 |

联接器示意图 A sketch for connecting device



TLZ系列 承重超长型 拖链

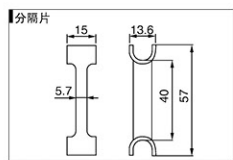
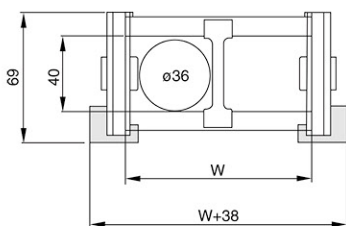
TLZ series load-bearing and over-length cable chains



TLZ070系列

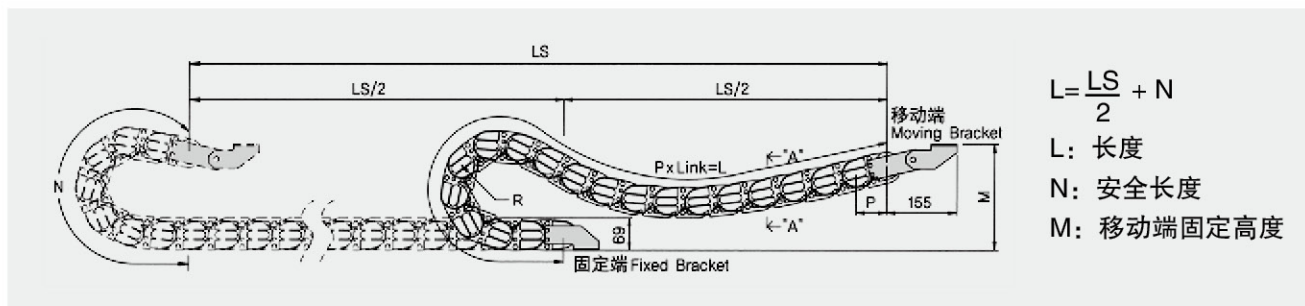
TLZ070 Series

- 材质：工程塑料、玻璃纤维及其他
- 速度：3M/sec
- 适用温度：-25~125℃

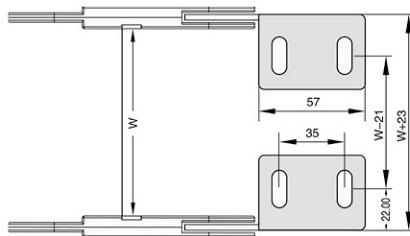


| 型号 Type | 宽度 Width (mm) | 弯曲半径R Bending radius (mm) | 节距 Pitch (mm) | M (mm) | N (mm) |
|------------|---------------------|---------------------------------|---------------------|-----------|-----------|
| TLZ070 | 80~400 | 75 | 70 | 230 | 800 |
| | | 100 | 70 | 230 | 1000 |
| | | 130 | 70 | 230 | 1500 |
| | | 180 | 70 | 230 | 1800 |
| | | 230 | 70 | 230 | 2100 |

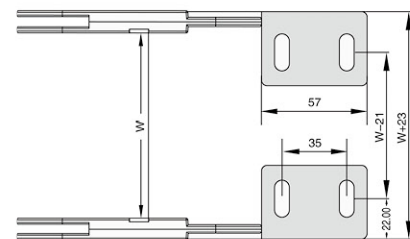
● 宽度可根据订单要求特制 Width follows in order



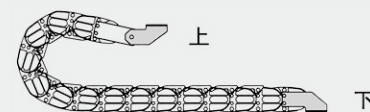
固定端
Fixed Bracket



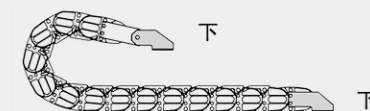
移动端
Moving Bracket



◆ 接头安装示意图



1



2

国际销售部 (International Sales Department):

电话 (Tel): +86-512-52503703 手机 (M.P): +86-17351130120 18913715738 Http://www.kwld.com E-mail: info@kwld.com



TLZ系列 承重超长型 拖链

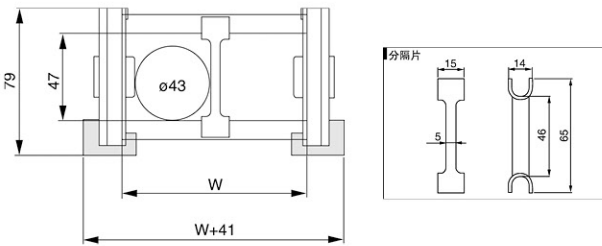
TLZ series load-bearing and over-length cable chains



TLZ080系列

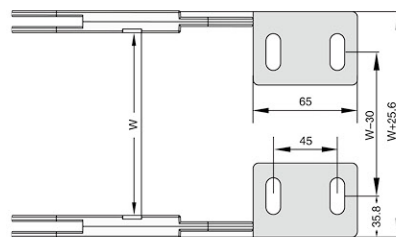
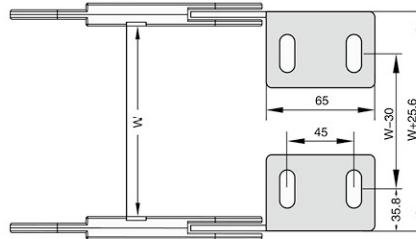
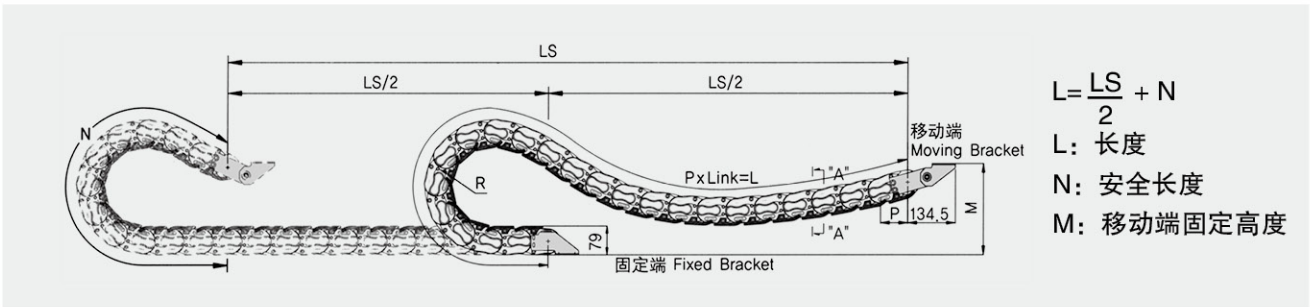
TLZ080 Series

- 材质：工程塑料、玻璃纤维及其他
- 速度：3M/sec
- 适用温度：-25~125℃

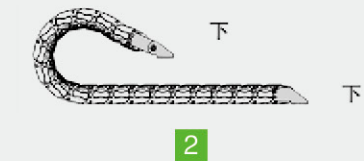
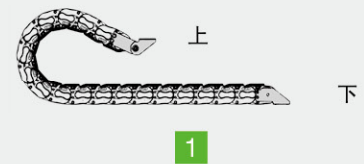


| 型号 Type | 宽度 Width (mm) | 弯曲半径R Bending radius (mm) | 节距 Pitch (mm) | M (mm) | N (mm) |
|------------|---------------------|---------------------------------|---------------------|-----------|-----------|
| TLZ080 | 80~400 | 150 | 80 | 250 | 1000 |
| | | 200 | 80 | 250 | 1300 |
| | | 250 | 80 | 250 | 1800 |
| | | 280 | 80 | 250 | 2000 |
| | | 400 | 80 | 250 | 3000 |

● 宽度可根据订单要求特制 Width follows in order

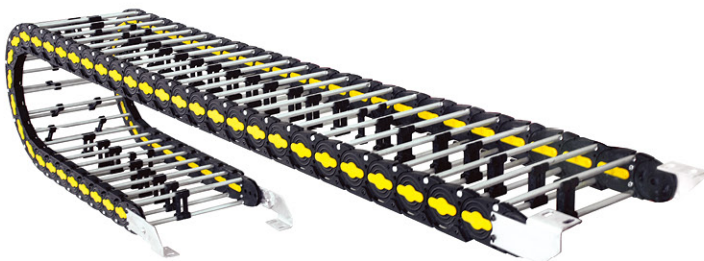


◆ 接头安装示意图



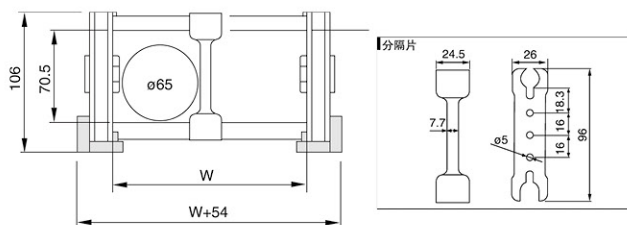
TLZ系列 承重超长型 拖链

TLZ series load-bearing and over-length cable chains



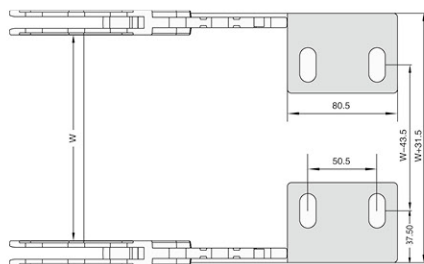
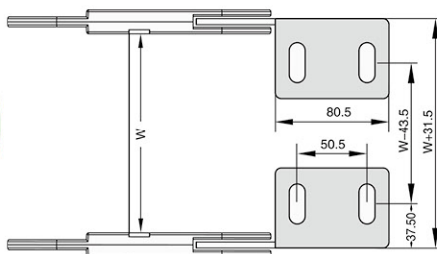
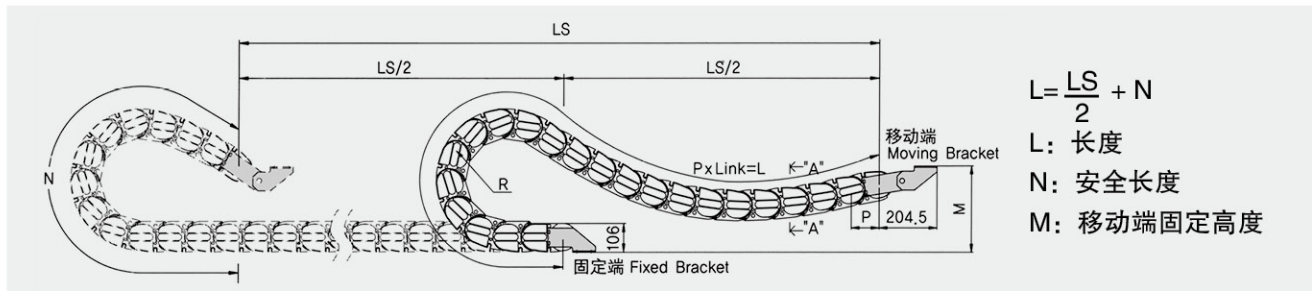
TLZ100系列 TLZ100 Series

- 材质：工程塑料、玻璃纤维及其他
- 速度：3M/sec
- 适用温度：-25~125℃

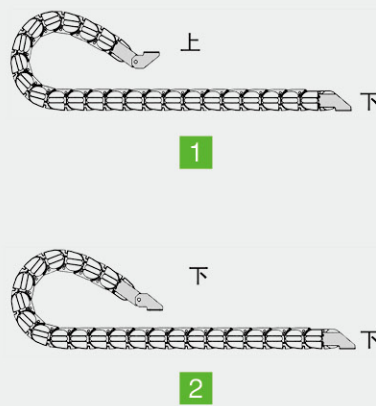


| 型号 Type | 宽度 Width (mm) | 弯曲半径R Bending radius (mm) | 节距 Pitch (mm) | M (mm) | N (mm) |
|----------------|------------------|------------------------------|------------------|--------|--------|
| TLZ100 OPEN | 100~600 | 200 | 100 | 300 | 1200 |
| | | 250 | 100 | 300 | 1400 |
| | | 300 | 100 | 300 | 1500 |
| | | 350 | 100 | 300 | 2100 |
| | | 400 | 100 | 300 | 2500 |
| | | 500 | 100 | 300 | 3500 |

● 宽度可根据订单要求特制 Width follows in order



接头安装示意图



国际销售部 (International Sales Department):

电话 (Tel): +86-512-52503703 手机 (M.P): +86-17351130120 18913715738 Http://www.kwld.com E-mail: info@kwld.com



TEZ系列 **承重型** 拖链

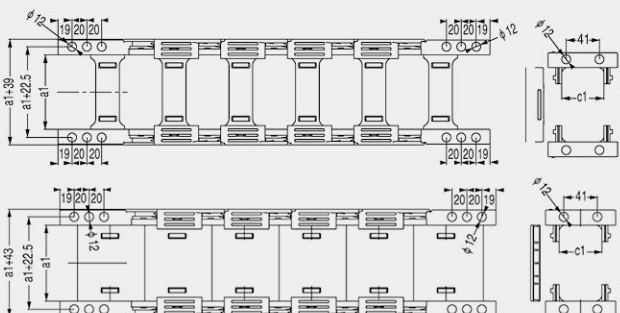
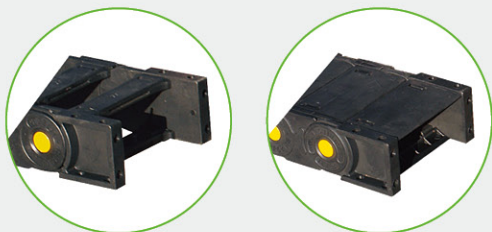
TEZ series Weight bearing cable chains

TEZ56D系列 / TEZ56D Series

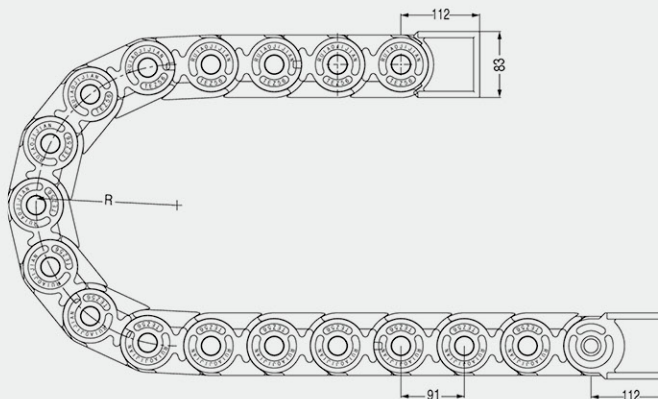


| 型号 Type | 内腔(高×宽) Inside Diameter (height × width) (mm) | 外径(高×宽) Outside Diameter (height × width) (mm) | 弯曲半径(R) Bending radius (mm) | 节距 Pitch (mm) | 不支撑长度 Non-support length (m) | 型式 Type |
|------------|---|--|-----------------------------------|---------------------|------------------------------------|--|
| TEZ56.100D | 56 × 100 | 83 × 139 | 150.200.250.300. 350.400.500 | 91 | 8 | 桥式 全封闭式 Bridge type, totally enclosed |
| TEZ56.125D | 56 × 125 | 83 × 164 | | | 8 | |
| TEZ56.150D | 56 × 150 | 83 × 189 | | | 10 | |
| TEZ56.175D | 56 × 175 | 83 × 214 | | | 10 | |
| TEZ56.200D | 56 × 200 | 83 × 239 | | | 12 | |
| TEZ56.250D | 56 × 250 | 83 × 289 | | | 15 | |

连接器示意图 / A sketch for connecting device



| 规格 Spec. | a1 | c1 | 弯曲半径(R) Bending radius |
|--|-----|----|---------------------------------|
| 单向56 带滑片 One-way 56 with silp sheet | 100 | 56 | 150.200.250.300. 350.400.500 |
| | 125 | | |
| | 150 | | |
| | 175 | | |
| | 200 | | |
| | 250 | | |



国际销售部 (International Sales Department):

电话 (Tel): +86-512-52503703 手机 (M.P): +86-17351130120 18913715738 Http://www.kwld.com E-mail: info@kwld.com



TEZ系列 **承重型** 拖链

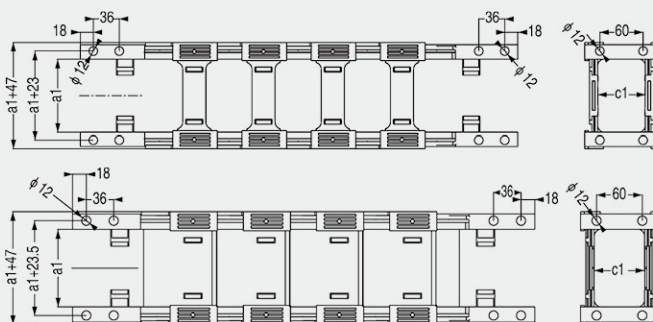
TEZ series Weight bearing cable chains

TEZ65D系列 / TEZ65D Series

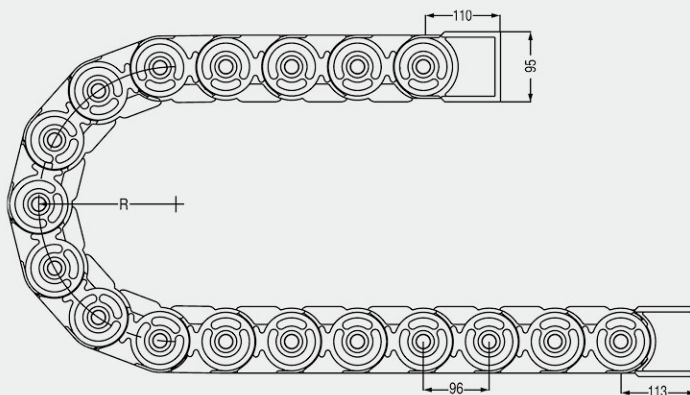


| 型号 Type | 内腔(高×宽) Inside Diameter (height × width) (mm) | 外径(高×宽) Outside Diameter (height × width) (mm) | 弯曲半径(R) Bending radius (mm) | 节距 Pitch (mm) | 不支撑长度 Non-support length (m) | 型式 Type |
|------------|---|--|-----------------------------------|---------------------|------------------------------------|--|
| TEZ65.100D | 65 × 100 | 95 × 147 | 150.200.250.300. 350.400.500 | 96 | 8 | 桥式 全封闭式 Bridge type, totally enclosed |
| TEZ65.125D | 65 × 125 | 95 × 172 | | | 8 | |
| TEZ65.150D | 65 × 150 | 95 × 197 | | | 10 | |
| TEZ65.175D | 65 × 175 | 95 × 222 | | | 10 | |
| TEZ65.200D | 65 × 200 | 95 × 247 | | | 12 | |
| TEZ65.250D | 65 × 250 | 95 × 297 | | | 15 | |

连接器示意图 / A sketch for connecting device



| 规格 Spec. | a1 | c1 | 弯曲半径(R) Bending radius |
|--|-----|----|---------------------------------|
| 单向65 带滑片 One-way 65 with silp sheet | 100 | 65 | 150.200.250.300. 350.400.500 |
| | 125 | | |
| | 150 | | |
| | 175 | | |
| | 200 | | |
| | 250 | | |



TEZ系列 **承重型** 拖链

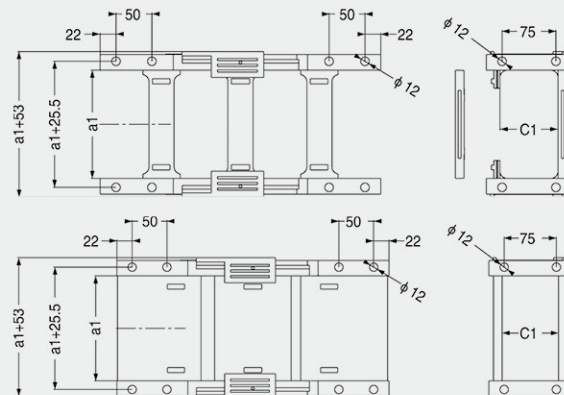
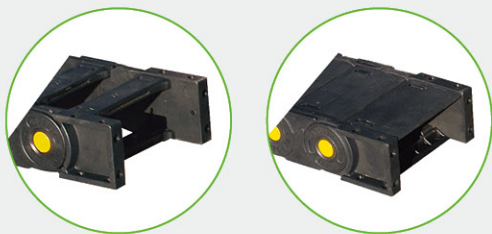
TEZ series Weight bearing cable chains

TEZ80D系列 / TEZ80D Series

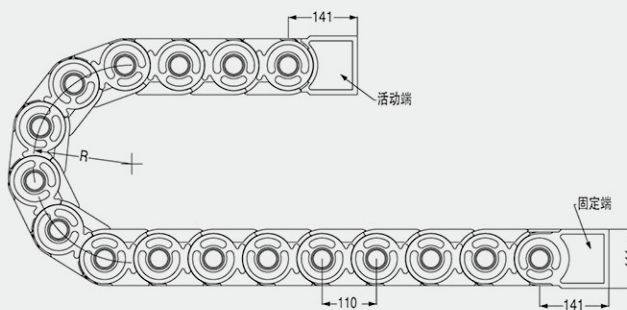


| 型号 Type | 内腔(高×宽) Inside Diameter (height × width) (mm) | 外径(高×宽) Outside Diameter (height × width) (mm) | 弯曲半径(R) Bending radius (mm) | 节距 Pitch (mm) | 不支撑长度 Non-support length (m) | 型式 Type |
|------------|---|--|-----------------------------------|---------------------|------------------------------------|--|
| TEZ80.100D | 80 × 100 | 111 × 151 | 200.250.300. 350.400.500 | 110 | 13 | 桥式 全封闭式 Bridge type, totally enclosed |
| TEZ80.125D | 80 × 125 | 111 × 176 | | | 13 | |
| TEZ80.150D | 80 × 150 | 111 × 201 | | | 15 | |
| TEZ80.175D | 80 × 175 | 111 × 226 | | | 15 | |
| TEZ80.200D | 80 × 200 | 111 × 251 | | | 17 | |
| TEZ80.250D | 80 × 250 | 111 × 301 | | | 20 | |
| TEZ80.300D | 80 × 300 | 111 × 351 | | | 20 | |

连接器示意图 / A sketch for connecting device



| 规格 Spec. | a1 | c1 | 弯曲半径(R) Bending radius |
|--|-----|----|-----------------------------|
| 单向80 带滑片 One-way 80 with silp sheet | 100 | 80 | 200.250.300. 350.400.500 |
| | 125 | | |
| | 150 | | |
| | 175 | | |
| | 200 | | |
| | 250 | | |
| 300 | | | |



国际销售部 (International Sales Department):

电话 (Tel): +86-512-52503703 手机 (M.P): +86-17351130120 18913715738 Http://www.kwld.com E-mail: info@kwld.com



TEZ系列 承重型 拖链

TEZ series Weight bearing cable chains

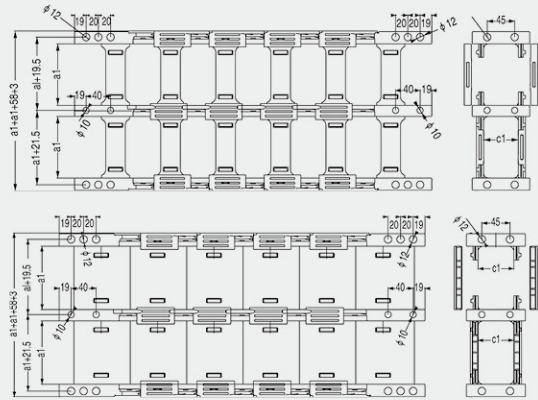
TEZ56F系列 / TEZ56F Series



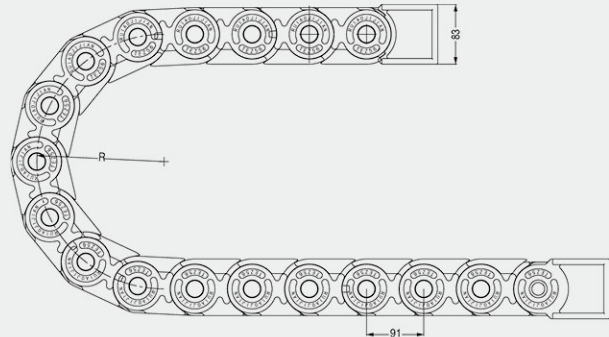
| 型号 Type | 内腔(高×宽) Inside Diameter (height × width) (mm) | 外径(高×宽) Outside Diameter (height × width) (mm) | 弯曲半径(R) Bending radius (mm) | 节距 Pitch (mm) | 不支撑长度 Non-support length (m) | 型式 Type |
|------------|---|--|-----------------------------------|---------------------|------------------------------------|--|
| TEZ56.100F | 56 × 100... | 83 × 161... | 150.200.250.300. 350.400.500 | 91 | 15 | 桥式 全封闭式 Bridge type, totally enclosed |
| TEZ56.125F | 56 × 125... | 83 × 186... | | | 20 | |
| TEZ56.150F | 56 × 150... | 83 × 211... | | | 25 | |
| TEZ56.175F | 56 × 175... | 83 × 236... | | | 30 | |
| TEZ56.200F | 56 × 200... | 83 × 261... | | | 30 | |
| TEZ56.250F | 56 × 250... | 83 × 311... | | | 30 | |
| TEZ56.300F | 56 × 300... | 83 × 361... | | | 30 | |

备注：“...”表示拖链型式为拼装复合式，可根据使用情况以100、125、150、175、200、250、300为单位无限增宽。

联接器示意图 / A sketch for connecting device



| 规格 Spec. | a1 | c1 | 弯曲半径(R) Bending radius |
|--|-----|----|---------------------------------|
| 单向56 带滑片 One-way 56 with slip sheet | 100 | 56 | 150.200.250.300. 350.400.500 |
| | 125 | | |
| | 150 | | |
| | 175 | | |
| | 200 | | |
| 250 | | | |



TEZ系列 承重型 拖链

TEZ series Weight bearing cable chains

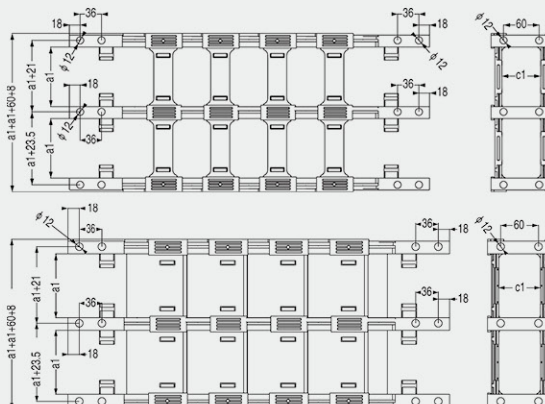
TEZ65F系列 / TEZ65F Series



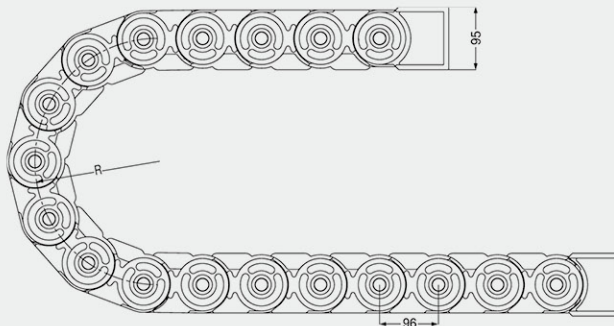
| 型号 Type | 内腔(高 × 宽) Inside Diameter (height × width) (mm) | 外径(高 × 宽) Outside Diameter (height × width) (mm) | 弯曲半径(R) Bending radius (mm) | 节距 Pitch (mm) | 不支撑长度 Non-support length (m) | 型式 Type |
|------------|---|--|-----------------------------------|---------------------|------------------------------------|--|
| TEZ65.100F | 65 × 100··· | 95 × 168··· | 150.200.250.300. 350.400.500 | 96 | 15 | 桥式 全封闭式 Bridge type, totally enclosed |
| TEZ65.125F | 65 × 125··· | 95 × 193··· | | | 20 | |
| TEZ65.150F | 65 × 150··· | 95 × 218··· | | | 25 | |
| TEZ65.175F | 65 × 175··· | 95 × 243··· | | | 30 | |
| TEZ65.200F | 65 × 200··· | 95 × 268··· | | | 30 | |
| TEZ65.250F | 65 × 250··· | 95 × 318··· | | | 30 | |
| TEZ65.300F | 65 × 300··· | 95 × 368··· | | | 30 | |

备注：“···”表示拖链型式为拼装复合式，可根据使用情况以100、125、150、175、200、250、300为单位无限增宽。

联接器示意图 / A sketch for connecting device



| 规格 Spec. | a1 | c1 | 弯曲半径(R) Bending radius |
|--|-----|----|---------------------------------|
| 单向65 带滑片 One-way 65 with slip sheet | 100 | 65 | 150.200.250.300. 350.400.500 |
| | 125 | | |
| | 150 | | |
| | 175 | | |
| | 200 | | |
| | 250 | | |



国际销售部 (International Sales Department):

电话 (Tel): +86-512-52503703 手机 (M.P): +86-17351130120 18913715738 Http://www.kwld.com E-mail: info@kwld.com

TEZ系列 **承重型** 拖链

TEZ series Weight bearing cable chains

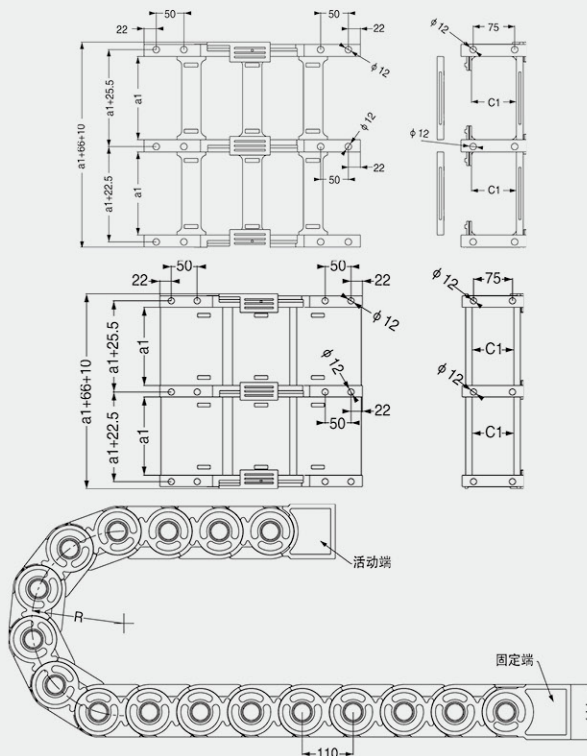
TEZ80F系列 / TEZ80F Series



| 型号 Type | 内腔(高×宽) Inside Diameter (height × width) (mm) | 外径(高×宽) Outside Diameter (height × width) (mm) | 弯曲半径(R) Bending radius (mm) | 节距 Pitch (mm) | 不支撑长度 Non-support length (m) | 型式 Type |
|------------|---|--|-----------------------------------|---------------------|------------------------------------|--|
| TEZ80.100F | 80 × 100... | 111 × 176... | 200.250.300. 350.400.500 | 110 | 15 | 桥式 全封闭式 Bridge type, totally enclosed |
| TEZ80.125F | 80 × 125... | 111 × 201... | | | 20 | |
| TEZ80.150F | 80 × 150... | 111 × 226... | | | 25 | |
| TEZ80.175F | 80 × 175... | 111 × 254... | | | 30 | |
| TEZ80.200F | 80 × 200... | 111 × 276... | | | 30 | |
| TEZ80.250F | 80 × 250... | 111 × 326... | | | 30 | |
| TEZ80.300F | 80 × 300... | 111 × 376... | | | 30 | |

备注：“...”表示拖链型式为拼装复合式，可根据使用情况以100、125、150、175、200、250、300为单位无限增宽。

联接器示意图 / A sketch for connecting device



| 规格 Spec. | a1 | c1 | 弯曲半径(R) Bending radius |
|--|-----|----|-----------------------------|
| 单向80 带滑片 One-way 80 with slip sheet | 100 | 80 | 200.250.300. 350.400.500 |
| | 125 | | |
| | 150 | | |
| | 175 | | |
| | 200 | | |
| | 250 | | |
| 300 | | | |