



Shanghai Shigan

Name: Mary

Tel: 0086 18069669221

E-mail: shigan7@checkweigher-sg.com

SG-220 Automatic checkweigher



Shanghai Shiqian Industrial Co., Ltd. is located in the beautiful city-Shanghai. It is a production-oriented enterprise integrating research, production and sales with the core of automated inspection system. The company's main products include [automatic checkweighers](#),



Shanghai Shigan

Name: Mary

Tel: 0086 18069669221

E-mail: shigan7@checkweigher-sg.com

multi-stage sorting scales, metal detectors and other products.

Induction

The automatic checkweigher can be integrated in various packaging assembly line terminals and conveying systems. The main function is to check online whether the product weight is overweight or underweight; whether there are multiple or missing pieces in the package (referring to instructions, desiccants, etc.), and Feedback the information to the packaging or canning equipment to ensure that the net content of the product produced by the customer meets the standard, and solve the waste of materials caused by overweight or multiple pieces, saving cost, improve product quality, and avoid the adverse effects of customer complaints caused by weight.



Copyright @ Shanghai Shigan industrial Co., LTD. All Rights Reserved

www.online-checkweigher.com



Shanghai Shigan

Name: Mary

TeL: 0086 18069669221

E-mail: shigan7@checkweigher-sg.com

Feature and advantage

1. Strong versatility: The standardized structure of the whole machine and the standardized human-machine interface can complete the weighing of various materials;
2. Easy to replace: a variety of formulas can be stored, easy to change product specifications;
3. Simple operation: using Weilun color man-machine interface, fully intelligent and humanized design;
4. Easy maintenance: the conveyor belt is easy to disassemble, install and maintain, and is easy to clean;
5. Adjustable speed: the motor is controlled by frequency conversion, and the speed can be adjusted as required;
6. High-speed and high-precision: using high-precision digital sensors, fast sampling speed and high precision;
7. Zero tracking: can be manually or automatically cleared, and dynamic zero tracking.

Customized

The displayed products may not meet your requirements. Our company can customize the [checkweigher](#) according to your actual situation. You are welcome to contact us for consultation. You should consider the following:

- (1). The size of the tested product
- (2). Precision requirements
- (3). Environmental requirements
- (4). Ability requirements
- (5). Other requirements



Shanghai Shigan

Name: Mary

Tel: 0086 18069669221

E-mail: shigan7@checkweigher-sg.com

Specification

Type: SG-220

Weighing range: 5-1500g

Detection accuracy: $\pm 0.2\text{g}$ (detection accuracy is affected by product weight, product size, delivery mode, working environment, etc.)

Division Scale: 0.1g

Belt speed: 0-60 m/min

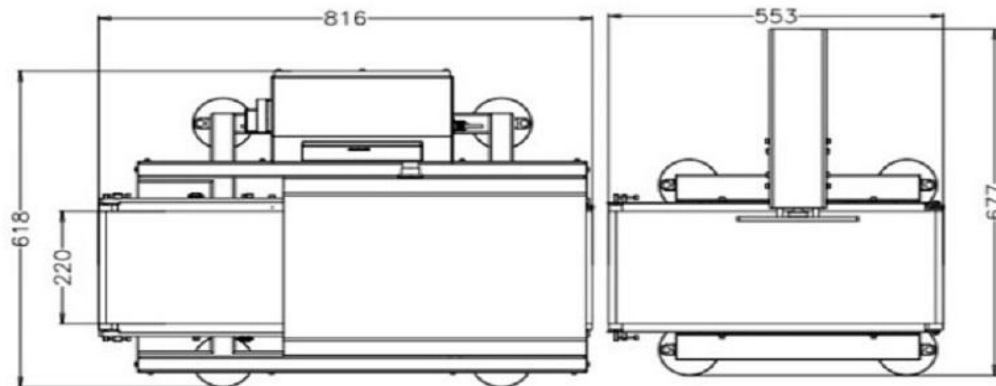
Large inspection speed: 100 PCS/min

Machine weight: 60kg+44kg

Pick out system: air blow pick out (other types can be customized)

Power supply: AC220V; 50 Hz; 1 p; 10 A

Case material: 304 stainless steel



Copyright © Shanghai Shigan Industrial Co., Ltd. All Rights Reserved

www.online-checkweigher.com



Shanghai Shigan

Name: Mary

Tel: 0086 18069669221

E-mail: shigan7@checkweigher-sg.com

Application

This product is suitable for testing whether the weight of a single product is qualified, and is widely used in electronics, pharmaceuticals, food, beverages, health care products, daily chemicals, light industry, agricultural and sideline products and other industries. Such as prepared products, cakes, ham sausages, instant noodles, frozen foods, food additives, pigments, modifiers, preservatives, etc. in the food industry.





Shanghai Shigan

Name:Mary

TeL:0086 18069669221

E-mail:shigan7@checkweigher-sg.com

Our Service

Based on the spirit of pursuing high-quality products and customer satisfaction, Shanghai Henggang Company solemnly promises you with the principles of preferential prices, considerate service and reliable product quality.

A.Product quality commitment:

1. The manufacturing and testing of products have quality records and testing data.
2. For product performance testing, we sincerely invite users to personally check the whole process and performance of the product, and then pack and ship the product after it is confirmed to be qualified.

B. Product price commitment:

1. Under the same competitive conditions, our company will sincerely provide you with preferential prices on the basis of not reducing product technical performance or changing product components.

C. Delivery time commitment:

1. Product delivery time: try to meet user requirements. If there are special requirements, it needs to be completed in advance, and strive to meet user needs.



Shanghai Shigan

Name: Mary

Tel: 0086 18069669221

E-mail: shigan7@checkweigher-sg.com

Shanghai Shigan industrial Co., LTD. Is a high-tech enterprise specialized in the research and development, production, design, installation, sales and after-sales service of checkweigher products. At the same time actively introduce domestic and foreign advanced technology innovation. And in view of the modern society for the online automatic checkweigher product technical requirements, in order to adapt to the high technology, high demand at the same time, the pursuit of the rationality and economy of the system, for the various industries to design, customize in line with the customer's requirements of the check weigher to meet the requirements of customers to improve work efficiency.

If you are interested in any of our automatic checkweigher. or would like to discuss a custom order, please feel free to [contact us](#).