



Shanghai Shigan

Name: Mary

Tel: 0086 18069669221

E-mail: [shigan7@checkweigher-sg.com](mailto:shigan7@checkweigher-sg.com)

## SG-450 FCL online checkweigher



Shanghai Shigan Co., Ltd. was established in 2010 as a mid-to-high-end instrument technology enterprise integrating scientific research, design and development, manufacturing, sales and service. Headquartered in Shanghai, China. Our company has years of experience in weighing and packaging areas. It provides customers with cost effective packaging and weighing equipment. The quality of product is reliable and stable.

Copyright © Shanghai Shigan Industrial Co., Ltd. All Rights Reserved

[www.online-checkweigher.com](http://www.online-checkweigher.com)



Shanghai Shigan

Name: Mary

Tel: 0086 18069669221

E-mail: [shigan7@checkweigher-sg.com](mailto:shigan7@checkweigher-sg.com)

## Induction

[FCL online checkweigher](#) is a kind of equipment that can automatically detect whether the weight is qualified when the belt is running at high speed; it is a high-efficiency, high-precision online check-weighing equipment that can be integrated in various packaging line terminals and conveying systems. The FCL online [checkweigher](#) is mainly used to check whether the product weight is qualified, whether the package is missing parts or instructions, etc.





Shanghai Shigan

Name: Mary

Tel: 0086 18069669221

E-mail: [shigan7@checkweigher-sg.com](mailto:shigan7@checkweigher-sg.com)

## Feature and advantage

- 1.Strong practicability:** 7/10 inch high color, high-resolution man-machine interface, simple and friendly operation, easy to use. A variety of product preset functions, change product parameters in place with one button.
- 2.High stability:** self-developed weighing recognition algorithm, automatic dynamic zero tracking and anti-vibration algorithm, weighing data recognition faster and more stable. Built-in power-off memory function to prevent the weighing data from being lost in the event of sudden power outages, trips, etc. in the factory.
- 3.Convenient docking:** counterweight data storage and export function, can store multiple product product weighing information, U disk export EXCEL table data; can be docked with EMS, WMS and other systems, product information traceability, remote control equipment start and stop, multiple data Check mode to ensure no missing data.
- 4.Strict design:** modular structure, easy to disassemble, easy to maintain and easy to clean.



Shanghai Shigan

Name: Mary

Tel: 0086 18069669221

E-mail: [shigan7@checkweigher-sg.com](mailto:shigan7@checkweigher-sg.com)

## Specification

Specification parameter

Type SG-450

Weighing Range 0.05-20/30kg

Limited of product L: 500 W: 450 H: 3-400mm

Accuracy  $\pm 1g$

Division Scale 0.1g

Belt Speed 0- 40 m/min

Max Speed 40 pcs/min

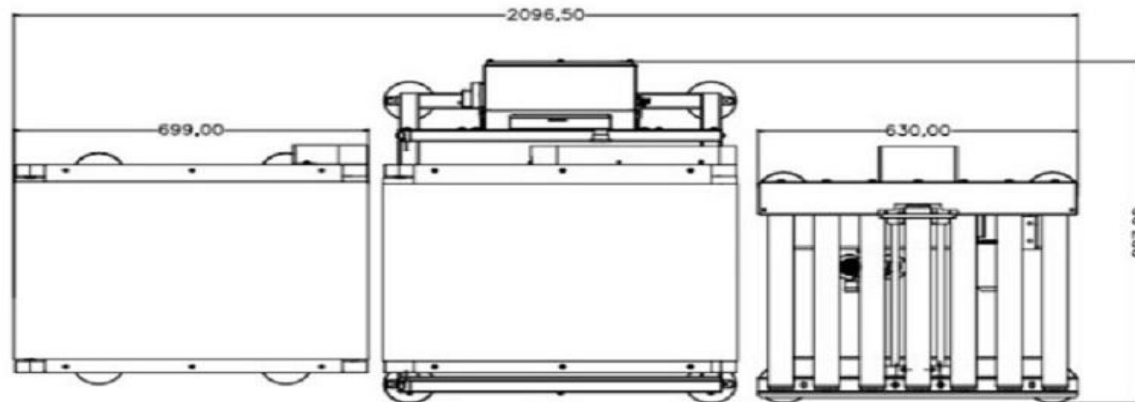
Belt Width 450mm

Machine Weight 100kg

Power Supply AC 110/220V  $\pm 10\%$  50HZ

Power 100W

Main Material SU304 stainless steel



Copyright @ Shanghai Shigan industrial Co., LTD. All Rights Reserved

[www.online-checkweigher.com](http://www.online-checkweigher.com)



Shanghai Shigan

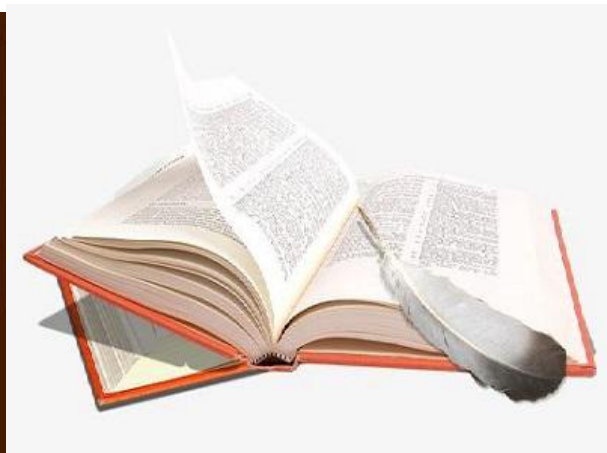
Name: Mary

Tel: 0086 18069669221

E-mail: [shigan7@checkweigher-sg.com](mailto:shigan7@checkweigher-sg.com)

## Application

Checkweighers are widely used in the production and packaging processes of food and beverage, pharmaceuticals, daily chemicals, warehousing and logistics, electronic light industry, packaging and printing, auto parts hardware, plastic toys, chemicals, agricultural and sideline products and other industries.





Shanghai Shigan

Name: Mary

Tel: 0086 18069669221

E-mail: [shigan7@checkweigher-sg.com](mailto:shigan7@checkweigher-sg.com)

## Why choose us?

1. We are a professional supplier of checkweighers, our products are high quality and safe! And we hope to establish long-term and stable cooperative relations with customers, and all the products we sell have quality assurance! If it is found that the quality of our company's products is a problem, we must be responsible for it!
2. More professional consulting services! The company has technical personnel responsible for customer service at any time to provide you with equipment maintenance, production technology, product use and technical consultation!
3. Better price! Price is not the most important factor in deciding a purchase. Reliable quality and high cost performance are the most important, and we will make a little less than our peers and make more profit to customers! Help customers reduce production costs and increase production profits!
4. Stable and long-term cooperative relationship! Shanghai Shigan Industrial Co., Ltd. has a place in the industry with its solid foundation and professional services! Committed to helping customers solve the problems of production equipment and capacity, and establish long-term good cooperative relations! As long as the customer needs is what we want to meet!
5. More diverse and flexible solutions to meet your needs! We will carefully record your every need and try our best to solve the problem for you.

If you are interested in any of our automatic checkweigher. or would like to discuss a custom order, please feel free to [contact us](#).